



Chipsmall Limited consists of a professional team with an average of over 10 year of expertise in the distribution of electronic components. Based in Hongkong, we have already established firm and mutual-benefit business relationships with customers from,Europe,America and south Asia,supplying obsolete and hard-to-find components to meet their specific needs.

With the principle of “Quality Parts,Customers Priority,Honest Operation,and Considerate Service”,our business mainly focus on the distribution of electronic components. Line cards we deal with include Microchip,ALPS,ROHM,Xilinx,Pulse,ON,Everlight and Freescale. Main products comprise IC,Modules,Potentiometer,IC Socket,Relay,Connector.Our parts cover such applications as commercial,industrial, and automotives areas.

We are looking forward to setting up business relationship with you and hope to provide you with the best service and solution. Let us make a better world for our industry!



Contact us

Tel: +86-755-8981 8866 Fax: +86-755-8427 6832

Email & Skype: info@chipsmall.com Web: www.chipsmall.com

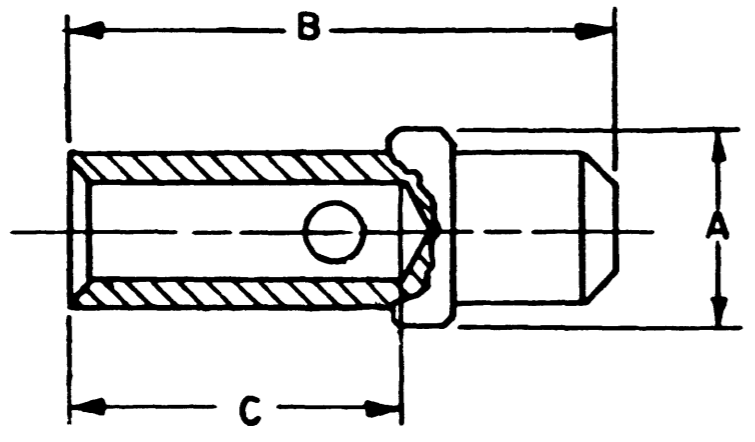
Address: A1208, Overseas Decoration Building, #122 Zhenhua RD., Futian, Shenzhen, China



N/C 1841-1-5620

REVISIONS			
SYM	DESCRIPTION	DATE	APPROVED
N/C	NEW RELEASE PER E.O. A12333	1-31-92	☞

PART NUMBER	SIZE	WIRE RANGE	SEALING RANGE		± A ±.010	± B ±.010	C MIN.	INSERT AND EXTRACT TCOL NUMBER	CRIMP TOOL
			MIN. O.D.	MAX. O.D.					
1841-1-5620	20	24-22-20	.040	.083	.101	.281	.163	M15570-20	M22520/1-01



SIZE 20

SIZE	APPROX. WT. PER CONTACT IN LBS.
20	.0004

3. CONTACT FINISH: DEUTSCH ALLOY OVER NICKEL PER QQ-N-290.
2. BODY MATERIAL: PER MIL-C-39029 TYPE A.
1. DIMENSIONS ARE IN INCHES UNLESS OTHERWISE SPECIFIED.

NOTE:

SIGNATURE & DATE	
DR	B. WOOD 1-24-92
CHK	Jo Powell 1-31-92
PE	B. WOOD 1-24-92
APPD	
SCALE	ONE WT

CONTACT
TERMINAL JUNCTION
SIZE 20

ENVELOPE

CP	MATL. CODE
The Deutsch Company ELECTRONIC COMPONENTS DIVISION Municipal Airport Banning, California	
B	1841-1-5620
DWG SIZE	CODE 11139 SHEET 1 OF 1