



Chipsmall Limited consists of a professional team with an average of over 10 year of expertise in the distribution of electronic components. Based in Hongkong, we have already established firm and mutual-benefit business relationships with customers from,Europe,America and south Asia,supplying obsolete and hard-to-find components to meet their specific needs.

With the principle of “Quality Parts,Customers Priority,Honest Operation,and Considerate Service”,our business mainly focus on the distribution of electronic components. Line cards we deal with include Microchip,ALPS,ROHM,Xilinx,Pulse,ON,Everlight and Freescale. Main products comprise IC,Modules,Potentiometer,IC Socket,Relay,Connector.Our parts cover such applications as commercial,industrial, and automotives areas.

We are looking forward to setting up business relationship with you and hope to provide you with the best service and solution. Let us make a better world for our industry!



Contact us

Tel: +86-755-8981 8866 Fax: +86-755-8427 6832

Email & Skype: info@chipsmall.com Web: www.chipsmall.com

Address: A1208, Overseas Decoration Building, #122 Zhenhua RD., Futian, Shenzhen, China



POWER-SUBCON PSC 1,5/...

POWER-SUBCON combines the principle of the MINI-COMBICON plug connectors with the good shielding features and the geometry of the D-SUB connectors.

The original 9-position D-SUB connector turns into a 3-position POWER-SUBCON, and there are 5 screw connections in the 15-position D-SUB connector. Both connector types can be inserted into standard D-SUB housings.

The high current carrying capacity of 8 A for a rated voltage of 250 V is a result of the robust MINI-COMBICON screw connection.

The headers are optionally available with a pre-mating ground contact for both numbers of positions.

Furthermore, a variant with integrated filter capacitor resp. varistor is available (see also part catalog 7, p.p. 82/83)



POWER-SUBCON
PSC 1,5/...



PSC 1,5/...-F
POWER-SUBCON plug

Note:
Only actuate MINI-COMBICON plug connectors when under no load condition. If for operating reasons small loads must be switched, experimental values are available on request.

Description	No. of positions
POWER-SUBCON plugs, shielded, color: green	3 5
POWER-SUBCON cable housing	3 5

Approval data (UL and CSA)

Nominal voltage / current / conductor sizes	UL: [V]/[A]/AWG
	CSA: [V]/[A]/AWG

	(IEC) [mm ²]	rigid solid	flexible stranded	AWG	I [A]	U [V]
--	-----------------------------	----------------	----------------------	-----	----------	----------

Connection data 0.14-1.5 0.14-1.5 28-16 8 250¹⁾
¹⁾ For applications in metal or metal-plated housings, the protection class "safety extra-low voltage" must be used.

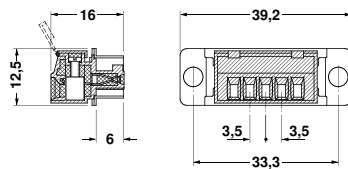


Type	Order No.	Pcs./Pkt.
PSC 1,5/3-F	18 41 90 9	50
PSC 1,5/5-F	18 41 91 2	50
SCT-D-SUB 9-KG	27 49 55 0	10
SCT-D-SUB 15-KG	27 49 56 3	10

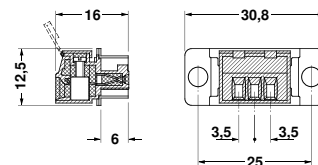
300 / 8 / 30-14

300 / 8 / 28-16

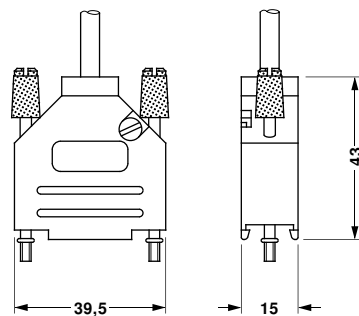
PSC 1,5/5-F



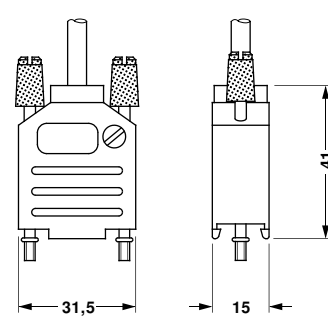
PSC 1,5/3-F



SCT-D-SUB 15 KG



SCT-D-SUB 9-KG



POWER-SUBCON
PSC 1,5/...

Housing cutout dimensions PSC 1,5/...-M(-PE)

No. of pos.	a [mm]	b [mm]
3	20.5±0,13	25.0±0.13
5	28.8±0,13	33.3±0.13



PSC 1,5/...-M
POWER-SUBCON header

Note:

Only actuate MINI-COMBICON plug connectors when under no load condition. If for operating reasons small loads must be switched, experimental values are available on request.

Description	No. of positions
POWER-SUBCON header, shielded, color: green, for walls up to 2.0 mm thick or 4.5 mm thick with distance bolts SW 5 L5/4-40 UNC-M 3 x 8	3 5
POWER-SUBCON header, as above, however, with capacitive ground connection	3 5

Approval data (UL and CSA)	
Nominal voltage / current / conductor sizes	UL: [V]/[A]/AWG CSA: [V]/[A]/AWG

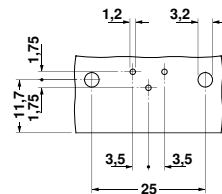
Connection data	I [A]	U [V]
	8	250 ¹⁾



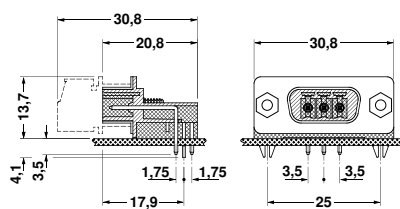
Typ	Artikel-Nr.	Stck./Pck.
PSC 1,5/3-M	18 41 85 7	50
PSC 1,5/5-M	18 41 89 9	50
PSC 1,5/3-M-PE	18 48 12 2	50
PSC 1,5/5-M-PE	18 48 13 5	50

300 / 8 / -
300 / 8 / -

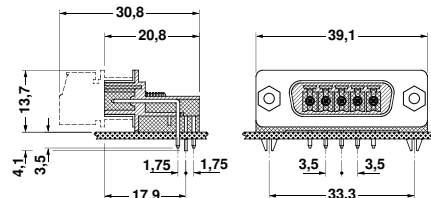
Drilling diagram PSC 1,5/3-M(-PE)



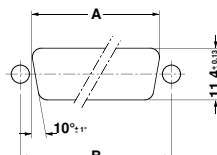
PSC 1,5/3-M



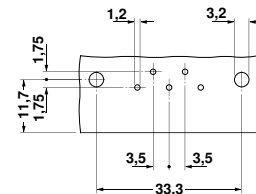
PSC 1,5/5-M



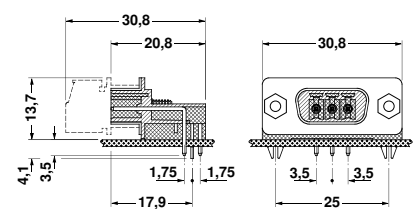
Panel cutout acc. to DIN 41 652-3
for walls up to 2,0 mm thick



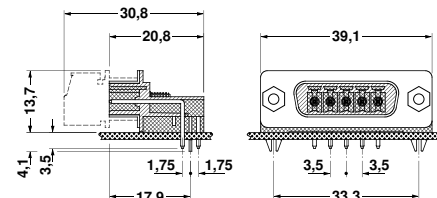
Drilling diagram PSC 1,5/5-M(-PE)



PSC 1,5/3-M-PE



PSC 1,5/5-M-PE



Panel cutout acc. to DIN 41 652-3
for walls up to 4,5 mm thick

