



Chipsmall Limited consists of a professional team with an average of over 10 year of expertise in the distribution of electronic components. Based in Hongkong, we have already established firm and mutual-benefit business relationships with customers from,Europe,America and south Asia,supplying obsolete and hard-to-find components to meet their specific needs.

With the principle of “Quality Parts,Customers Priority,Honest Operation,and Considerate Service”,our business mainly focus on the distribution of electronic components. Line cards we deal with include Microchip,ALPS,ROHM,Xilinx,Pulse,ON,Everlight and Freescale. Main products comprise IC,Modules,Potentiometer,IC Socket,Relay,Connector.Our parts cover such applications as commercial,industrial, and automotives areas.

We are looking forward to setting up business relationship with you and hope to provide you with the best service and solution. Let us make a better world for our industry!



## Contact us

Tel: +86-755-8981 8866 Fax: +86-755-8427 6832

Email & Skype: info@chipsmall.com Web: www.chipsmall.com

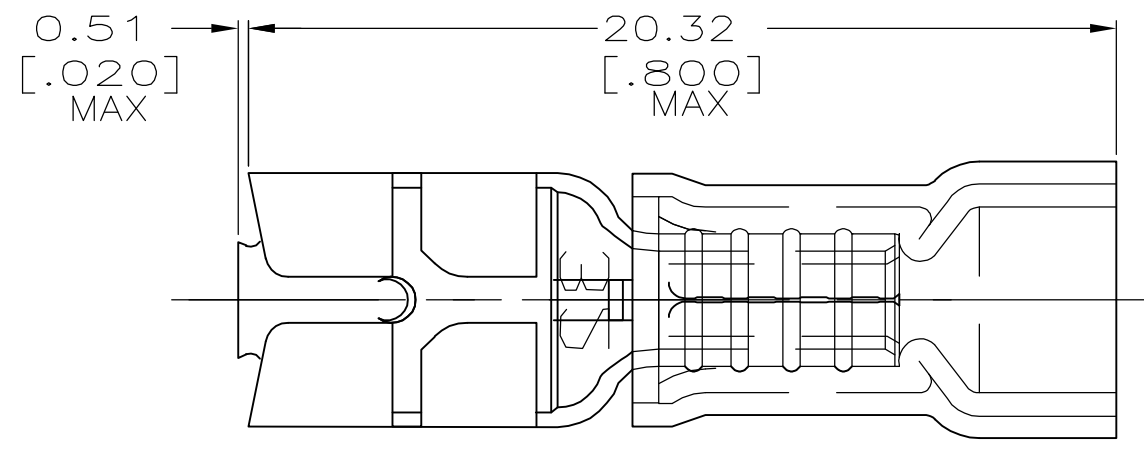
Address: A1208, Overseas Decoration Building, #122 Zhenhua RD., Futian, Shenzhen, China



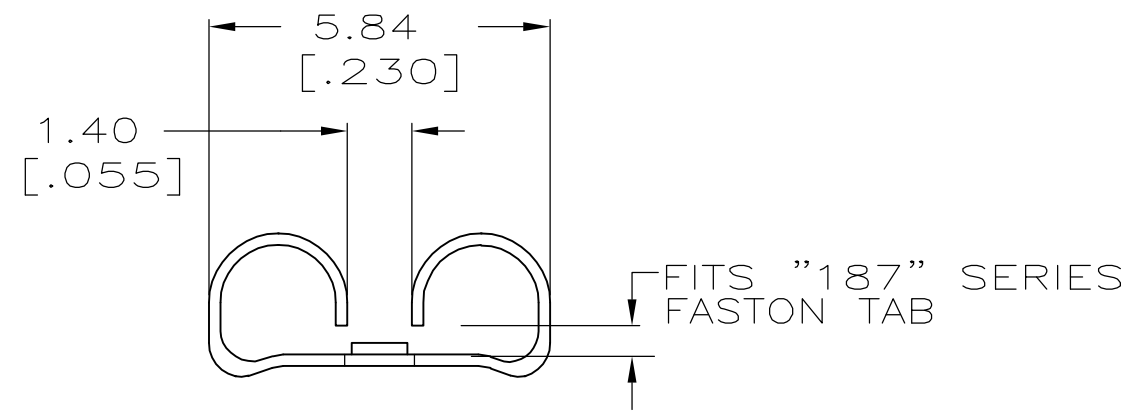
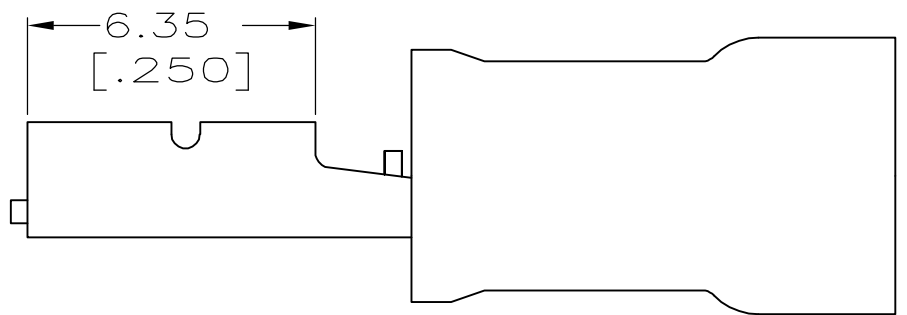
THIS DRAWING IS UNPUBLISHED. RELEASED FOR PUBLICATION  
 © COPYRIGHT BY TYCO ELECTRONICS CORPORATION. ALL RIGHTS RESERVED.

LOC	DIST	REVISIONS					
G	14	P	LTR	DESCRIPTION	DATE	DWN	APVD
			E3	REV PER ECR 07-006476	20MAR07	JR	TM

**AMP**  
 WIRE SIZE  
 22-18 AWG  
 STRANDED



- 1. INSULATION DIA 3.43 [.135] MAX
- 2. FITS TAB 0.81 [.032] THK
- 3 EASIER INSERTION
- 4 PRELIMINARY - NOT FOR PRODUCTION



4000	PVC, BLACK	ON TAPE, REEL	4 2-184268-2
1000	PVC, BLACK	LOOSE PIECE	4 2-184268-1
4000	NYLON, RED	ON TAPE, REEL	4 1-184268-2
1000	NYLON, RED	LOOSE PIECE	4 1-184268-1
4000	NYLON, RED	TAPE MOUNTED	184268-2
1000	NYLON, RED	LOOSE PIECE	184268-1
QTY	SLEEVE MATL./COLOR	PACKAGE TYPE	PART NO

THIS DRAWING IS A CONTROLLED DOCUMENT.		DWN L OLMEDA 29MAY96	<b>tyco</b> Tyco Electronics Corporation	
DIMENSIONS: mm		CHK M ELLIS 29MAY96	<b>Electronics</b> Harrisburg, PA 17105-3608	
TOLERANCES UNLESS OTHERWISE SPECIFIED:		APVD B BARE 29MAY96	NAME RECEPTACLE, 187 SERIES, LOW INSERTION	
0 PLC ± -		PRODUCT SPEC -	FORCE, FASTON, PIDG,	
1 PLC ± -		APPLICATION SPEC -	WIRE SIZE: 22-18 AWG	
2 PLC ± 0.38 [.015]		WEIGHT -	SIZE A3	CAGE CODE 00779
3 PLC ± -		CUSTOMER DRAWING	DRAWING NO C-184268	RESTRICTED TO -
4 PLC ± -			SCALE 1:1	SHEET 1 OF 1
ANGLES ± -				
MATERIAL BODY, BRASS .016	FINISH BODY, TIN			