



Chipsmall Limited consists of a professional team with an average of over 10 year of expertise in the distribution of electronic components. Based in Hongkong, we have already established firm and mutual-benefit business relationships with customers from,Europe,America and south Asia,supplying obsolete and hard-to-find components to meet their specific needs.

With the principle of “Quality Parts,Customers Priority,Honest Operation,and Considerate Service”,our business mainly focus on the distribution of electronic components. Line cards we deal with include Microchip,ALPS,ROHM,Xilinx,Pulse,ON,Everlight and Freescale. Main products comprise IC,Modules,Potentiometer,IC Socket,Relay,Connector.Our parts cover such applications as commercial,industrial, and automotives areas.

We are looking forward to setting up business relationship with you and hope to provide you with the best service and solution. Let us make a better world for our industry!



Contact us

Tel: +86-755-8981 8866 Fax: +86-755-8427 6832

Email & Skype: info@chipsmall.com Web: www.chipsmall.com

Address: A1208, Overseas Decoration Building, #122 Zhenhua RD., Futian, Shenzhen, China



Contact insert - VC-D3-BU50-PE - 1855076

Please be informed that the data shown in this PDF Document is generated from our Online Catalog. Please find the complete data in the user's documentation. Our General Terms of Use for Downloads are valid (<http://phoenixcontact.com/download>)


Female contact carrier, for turned crimp contacts, type VC 3, 50-pos. + PE



Why buy this product

- Positions 15, 30, 50, and 65 are available, in accordance with housing sizes VC 1 - VC 4.
- Contact types meet the requirements of IEC 60352/DIN EN 60352
- Contact carriers have two further capacitive PE contacts
- Pin and socket contacts can be used on both the plug and device sides
- The connection data of 250 V/10 A corresponds to that of the HEAVYCON DD series

Key Commercial Data

| | |
|--------------|---|
| Packing unit | 10 STK |
| GTIN |  4 017918 159368 |
| GTIN | 4017918159368 |

Technical data

Electrical characteristics

| | |
|-----------------------|---|
| Note | Connectors may only be connected/disconnected when under no load. |
| Rated voltage | 250 V |
| Rated voltage (III/3) | 250 V |
| Rated current | 10 A |
| | 10 A |
| Rated surge voltage | 4 kV |
| Connection profile | 50+PE |

Ambient conditions

| | |
|---------------------------------|-------------------|
| Ambient temperature (operation) | -40 °C ... 125 °C |
|---------------------------------|-------------------|

Mechanical characteristics

| | |
|-------------------------|---|
| Conductor cross section | 0.14 mm ² ... 1.5 mm ² (flexible) |
|-------------------------|---|

Contact insert - VC-D3-BU50-PE - 1855076

Technical data

Mechanical characteristics

| | |
|---|---------------------|
| Connection cross section AWG | 22 ... 16 |
| Stripping length of the individual wire | 8 mm |
| Contact diameter | 1.6 mm |
| Conductor cross section flexible max. | 1.5 mm ² |
| Insertion/withdrawal cycles | >= 500 |

General

| | |
|--|------------------|
| Size | VC3 |
| Series | VC-D |
| Connection method | Crimp connection |
| Contact type | turned |
| Flammability rating according to UL 94 | V0 |
| Degree of pollution | 2 |

Material data

| | |
|--------------------------|-------|
| Contact carrier material | PA-GF |
|--------------------------|-------|

Standards and Regulations

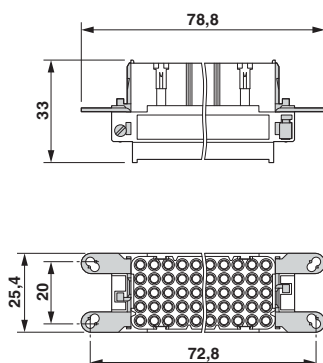
| | |
|--|-----|
| Connection in acc. with standard | CUL |
| Flammability rating according to UL 94 | V0 |

Environmental Product Compliance

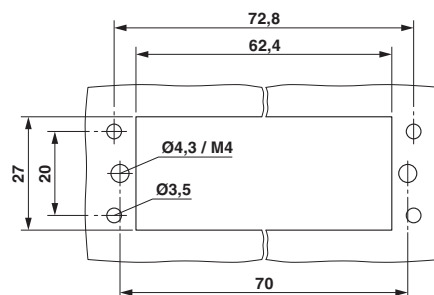
| | |
|------------|---|
| REACH SVHC | Lead 7439-92-1 |
| China RoHS | Environmentally Friendly Use Period = 50 |
| | For details about hazardous substances go to tab "Downloads", Category "Manufacturer's declaration" |

Drawings

Dimensional drawing



Dimensional drawing



Mounting cutout

Contact insert

Contact insert - VC-D3-BU50-PE - 1855076

Approvals

Approvals

Approvals

UL Recognized / cUL Recognized / EAC / cULus Recognized

Ex Approvals

Approval details

| | | | |
|--------------------|--|---|---------------|
| UL Recognized | | http://database.ul.com/cgi-bin/XYV/template/LISEXT/1FRAME/index.htm | FILE E 118976 |
| | | | |
| Nominal voltage UN | | 250 V | |
| Nominal current IN | | 4 A | |

| | | | |
|--------------------|--|---|---------------|
| cUL Recognized | | http://database.ul.com/cgi-bin/XYV/template/LISEXT/1FRAME/index.htm | FILE E 118976 |
| | | | |
| Nominal voltage UN | | 250 V | |
| Nominal current IN | | 4 A | |

| | | | |
|-----|--|--|---------|
| EAC | | | B.01742 |
|-----|--|--|---------|

| | | | |
|------------------|--|---|--|
| cULus Recognized | | http://database.ul.com/cgi-bin/XYV/template/LISEXT/1FRAME/index.htm | |
|------------------|--|---|--|

Phoenix Contact 2018 © - all rights reserved
<http://www.phoenixcontact.com>

PHOENIX CONTACT GmbH & Co. KG
Flachsmarktstr. 8
32825 Blomberg
Germany
Tel. +49 5235 300
Fax +49 5235 3 41200
<http://www.phoenixcontact.com>