



Chipsmall Limited consists of a professional team with an average of over 10 year of expertise in the distribution of electronic components. Based in Hongkong, we have already established firm and mutual-benefit business relationships with customers from,Europe,America and south Asia,supplying obsolete and hard-to-find components to meet their specific needs.

With the principle of “Quality Parts,Customers Priority,Honest Operation,and Considerate Service”,our business mainly focus on the distribution of electronic components. Line cards we deal with include Microchip,ALPS,ROHM,Xilinx,Pulse,ON,Everlight and Freescale. Main products comprise IC,Modules,Potentiometer,IC Socket,Relay,Connector.Our parts cover such applications as commercial,industrial, and automotives areas.

We are looking forward to setting up business relationship with you and hope to provide you with the best service and solution. Let us make a better world for our industry!



Contact us

Tel: +86-755-8981 8866 Fax: +86-755-8427 6832

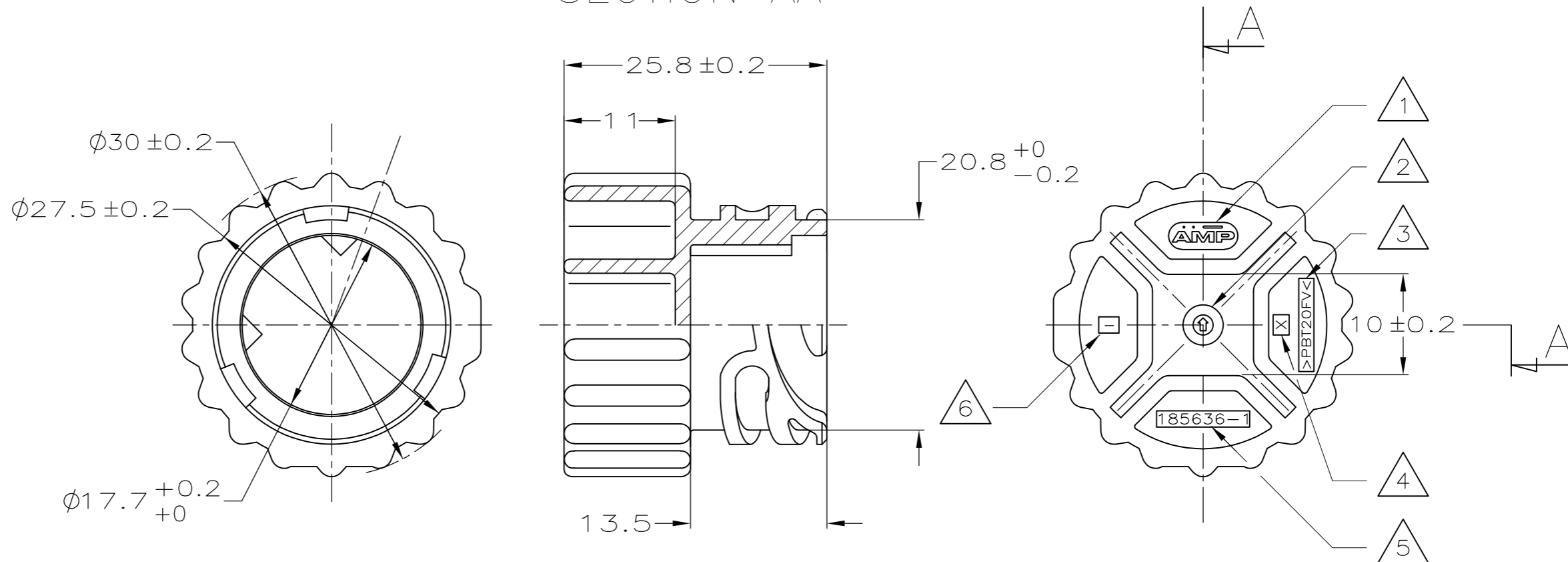
Email & Skype: info@chipsmall.com Web: www.chipsmall.com

Address: A1208, Overseas Decoration Building, #122 Zhenhua RD., Futian, Shenzhen, China



P	LTR REV	DESCRIPTION MODIFICATIONS	DATE	DWN DESS.	APVD APP.
	A	UPDATE OF RING DESIGN	14-JAN-97	RB	-
	B	ADD ENGLISH TRANSLATION	18JAN2011	CS	JPP

SECTION AA
SECTION AA



NOTES

- 1 MARQUAGE LOGO
LOGO MARKING
- 2 DATEUR
DATE CODE
- 3 MARQUAGE MATIERE
MATERIEL MARKING
- 4 REPERE D'EMPREINTE
CAVITY NUMBER
- 5 MARQUAGE REF. TE
PART NUMBER MARKING
- 6 INDICE DE REVISION PRODUIT
PART REVISION CODE

<small>THIS DRAWING IS A CONTROLLED DOCUMENT FOR AMP INCORPORATED. IT IS SUBJECT TO CHANGE AND THE CONTROLLING ENGINEERING ORGANIZATION SHOULD BE CONTACTED FOR THE LATEST REVISION. CE PLAN EST UN DOCUMENT CONTROLE PAR AMP INCORPORATED. IL EST SUSCEPTIBLE D'ETRE REVISE. CONTACTER LE SERVICE TECHNIQUE D'AMP DE FRANCE POUR OBTENIR LA DERNIERE REVISION.</small>		DWN/DESSINE 11-MAR-96 D.BENOIT CHK/VERIFIE 05-FEB-97 R.BONNET APVD/APPROUVE 05-FEB-97 J.J.REVIL PRODUCT SPEC SPEC. PRODUIT APPLICATION SPEC SPEC. APPLICATION WEIGHT MASSE APPROX. -	Tyco Electronics Tyco Electronics France SAS 95300 Pontoise, France NAME TITRE OBTURATEUR DE PORTE-DOUILLE DIA2.5MM OBTURATOR OF CARRY-CASING DIA2.5MM SIZE FORMAT A3 CAGE CODE 00779 DRAWING NO No PLAN C=185636
DIMENSIONS: mm 	TOLERANCES UNLESS OTHERWISE SPECIFIED: TOLERANCES NON SPECIFIEES (SUIV NB DE DECIMALES): 0-PLC/DEC ± 1-PLC/DEC ±0.3 2-PLC/DEC ± 3-PLC/DEC ± 4-PLC/DEC ± ANGLES ±5° FINISH NOIR FINITION BLACK	MATERIAL PBT 20 FV MATIERE	CUSTOMER DRAWING/PLAN CLIENT UNIQUEMENT POUR REFERENCE SCALE ECHELLE 2:1 SHEET FEUILLE 1 OF 1 DE 1 REV B