



Chipsmall Limited consists of a professional team with an average of over 10 year of expertise in the distribution of electronic components. Based in Hongkong, we have already established firm and mutual-benefit business relationships with customers from,Europe,America and south Asia,supplying obsolete and hard-to-find components to meet their specific needs.

With the principle of “Quality Parts,Customers Priority,Honest Operation,and Considerate Service”,our business mainly focus on the distribution of electronic components. Line cards we deal with include Microchip,ALPS,ROHM,Xilinx,Pulse,ON,Everlight and Freescale. Main products comprise IC,Modules,Potentiometer,IC Socket,Relay,Connector.Our parts cover such applications as commercial,industrial, and automotives areas.

We are looking forward to setting up business relationship with you and hope to provide you with the best service and solution. Let us make a better world for our industry!



Contact us

Tel: +86-755-8981 8866 Fax: +86-755-8427 6832

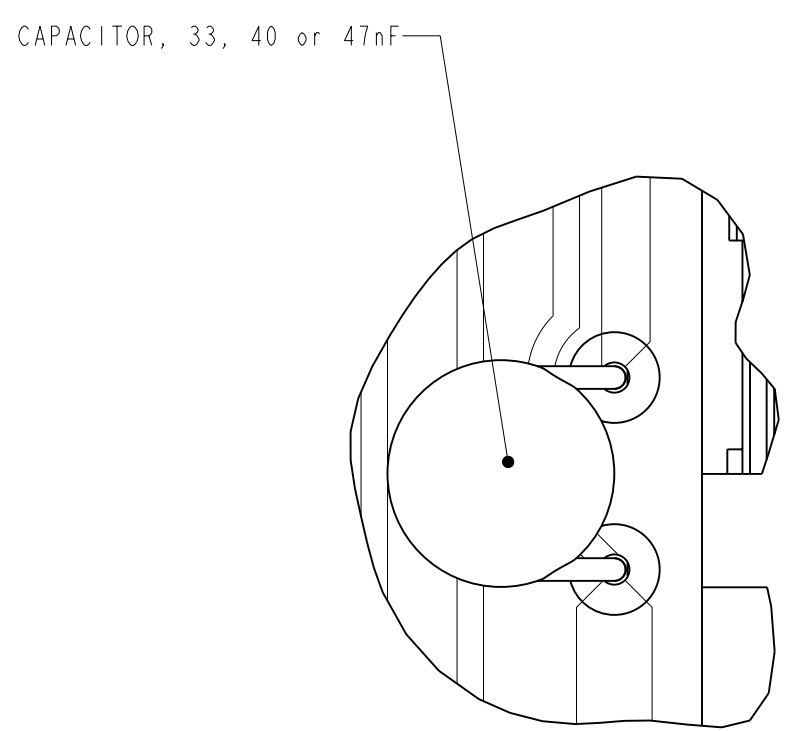
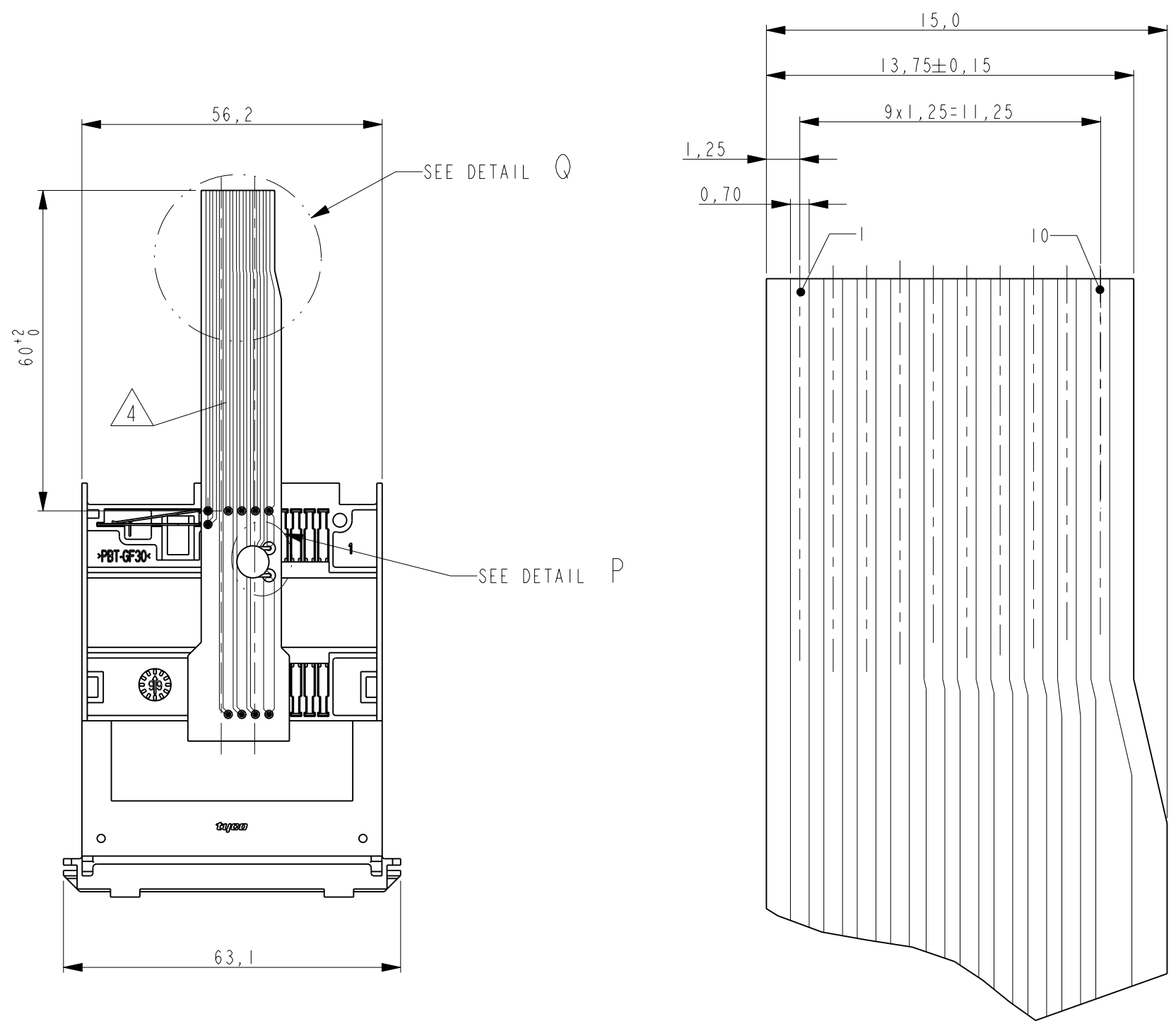
Email & Skype: info@chipsmall.com Web: www.chipsmall.com

Address: A1208, Overseas Decoration Building, #122 Zhenhua RD., Futian, Shenzhen, China

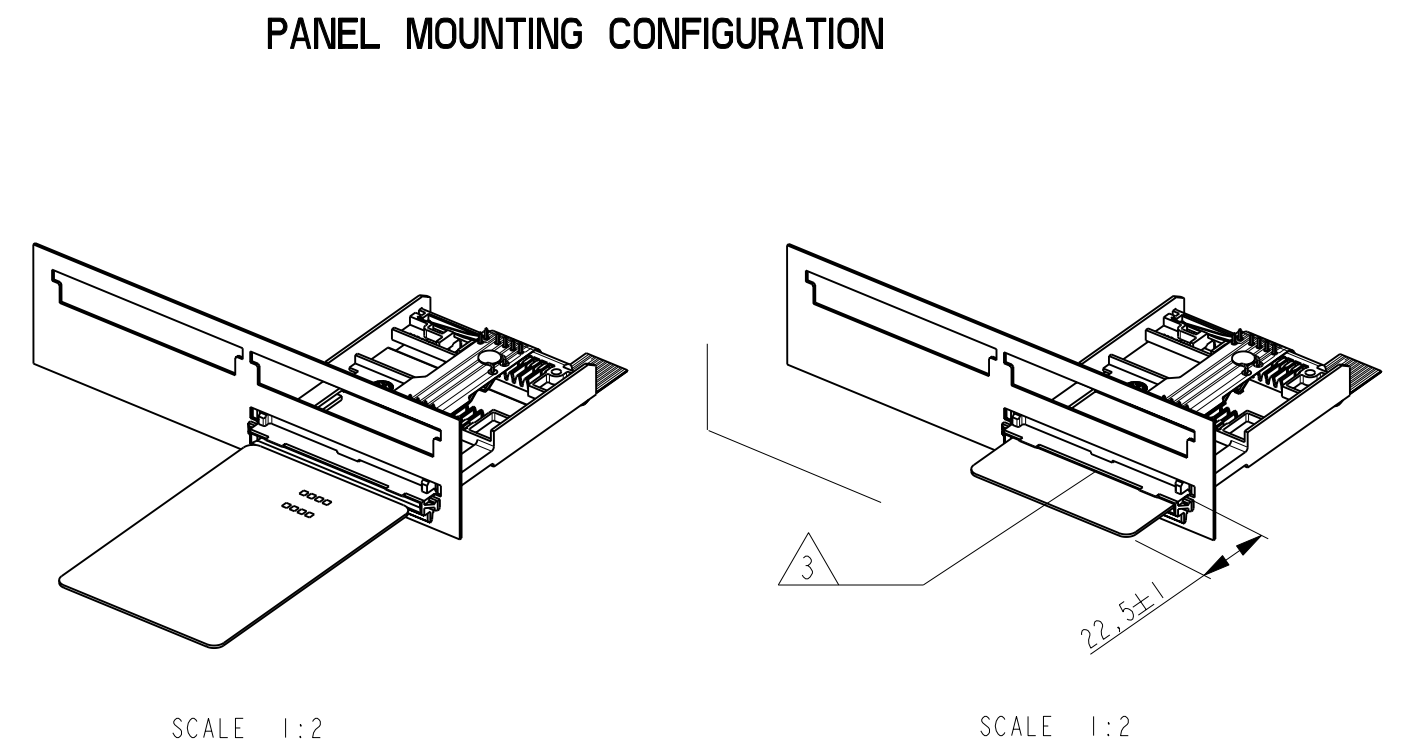


THIS DRAWING IS UNPUBLISHED. RELEASED FOR PUBLICATION
 © COPYRIGHT - ALL RIGHTS RESERVED.

LOC		DIST		REVISIONS			
P	LTR	DESCRIPTION	DATE	DWN	APVD		
C		ECR-09-024818	12 NOV 2009	GG	PCH		
CI		ECR-11-004915	08 MAR 2011	GG	PKS		



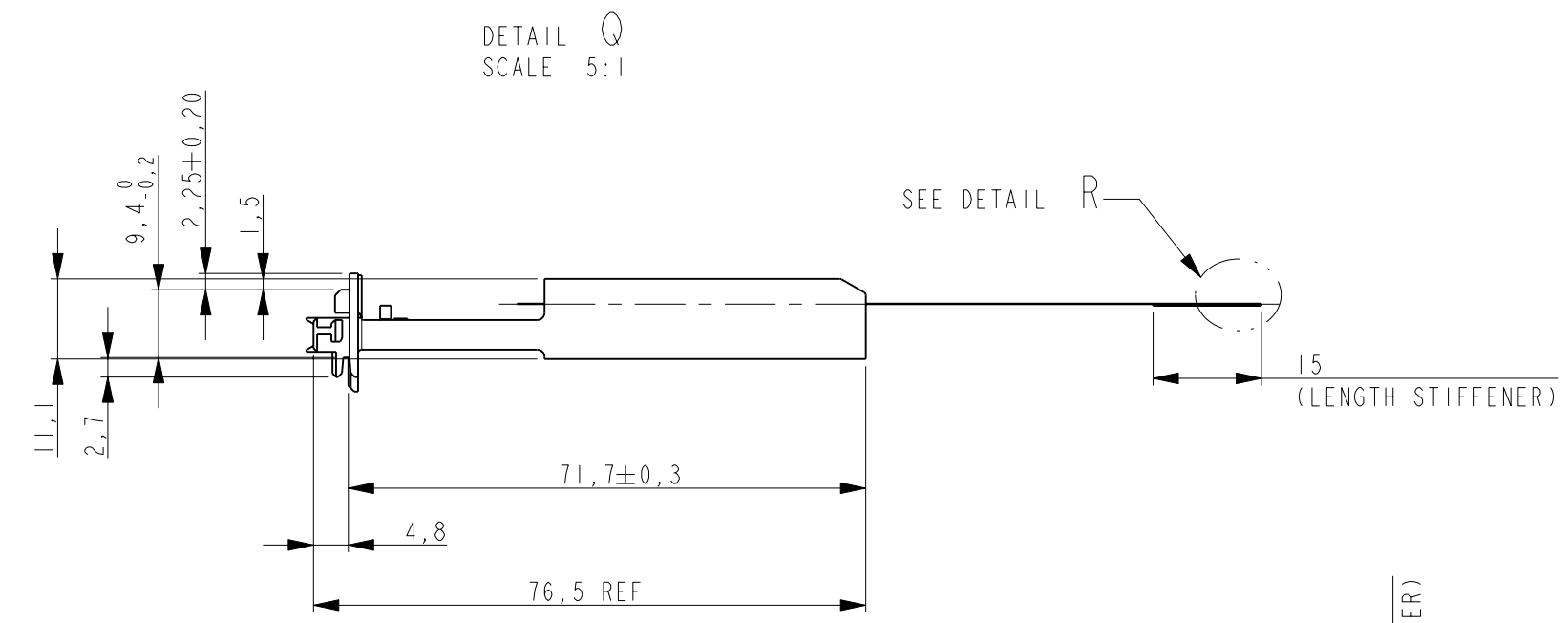
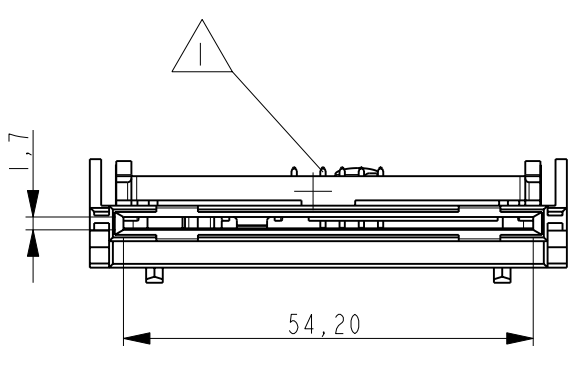
DETAIL P
SCALE 5:1



PANEL MOUNTING CONFIGURATION

SCALE 1:2

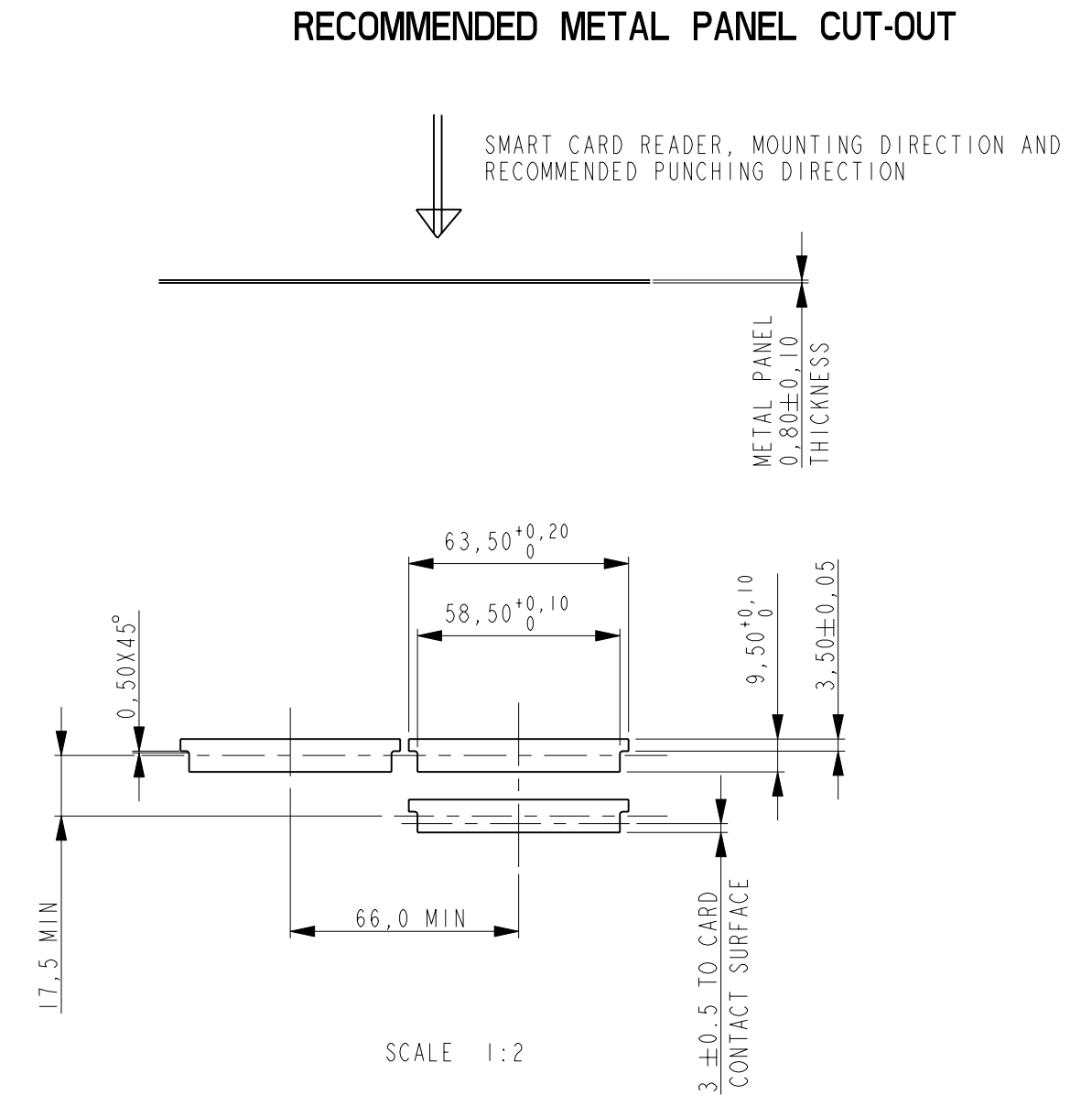
SCALE 1:2



PN 1857012-1 AS SHOWN

DETAIL Q
SCALE 5:1

DETAIL R
SCALE 5:1



RECOMMENDED METAL PANEL CUT-OUT

SCALE 1:2

NOTES:

CONTACTS PLATING :

- ① OVERALL: Ni 2µm MIN, ALL OVER THE CONTACTS.
 SOLDER ZONE: Sn 2.5µm MIN ON THE SOLDER ZONE OF THE CONTACTS.
 MATING ZONE: PLATING CONFIRMS TO PRODUCT REQUIREMENTS
 AS PER SPECIFICATION 108-15202.

MATERIAL :

- ② HOUSING: PBT-GF, BLACK UL 94V0.
 CONTACTS: PHOSPHOR BRONZE.
- ③ TE SMART CARD RECEPTACLE DESIGNED TO ACCEPT ISO 7810-7816 TYPE
 INTEGRATED CIRCUIT SMART CARDS (0.76MM REF. THICKNESS)
- ④ BASEFILM: POLYESTER, THICKNESS 100 µm
 CONDUCTOR: COPPER, THICKNESS 35 µm
 COVERCOATING: COLOR GREEN, THICKNESS 15-25 µm

THIS DRAWING IS A CONTROLLED DOCUMENT.		DWN 23 FEB 2005 J.V.D. HEIJDEN	TE Connectivity	
DIMENSIONS: mm		CHK P. JAEGER		
TOLERANCES UNLESS OTHERWISE SPECIFIED:		APVD J. BROEKSTEEG	PRODUCT SPEC	SIZE A2
0 PLC ±1		APPLICATION SPEC	WEIGHT -	CAGE CODE 00779
1 PLC ±0.2		RESTRICTED TO	SCALE	DRAWING NO C-1857012
2 PLC ±0.1		SCALE	SHEET	OF
3 PLC ±		SCALE	SHEET	OF
4 PLC ±		SCALE	SHEET	OF
ANGLES ±		SCALE	SHEET	OF
FINISH		SCALE	SHEET	OF