



Chipsmall Limited consists of a professional team with an average of over 10 year of expertise in the distribution of electronic components. Based in Hongkong, we have already established firm and mutual-benefit business relationships with customers from,Europe,America and south Asia,supplying obsolete and hard-to-find components to meet their specific needs.

With the principle of “Quality Parts,Customers Priority,Honest Operation,and Considerate Service”,our business mainly focus on the distribution of electronic components. Line cards we deal with include Microchip,ALPS,ROHM,Xilinx,Pulse,ON,Everlight and Freescale. Main products comprise IC,Modules,Potentiometer,IC Socket,Relay,Connector.Our parts cover such applications as commercial,industrial, and automotives areas.

We are looking forward to setting up business relationship with you and hope to provide you with the best service and solution. Let us make a better world for our industry!



Contact us

Tel: +86-755-8981 8866 Fax: +86-755-8427 6832

Email & Skype: info@chipsmall.com Web: www.chipsmall.com

Address: A1208, Overseas Decoration Building, #122 Zhenhua RD., Futian, Shenzhen, China



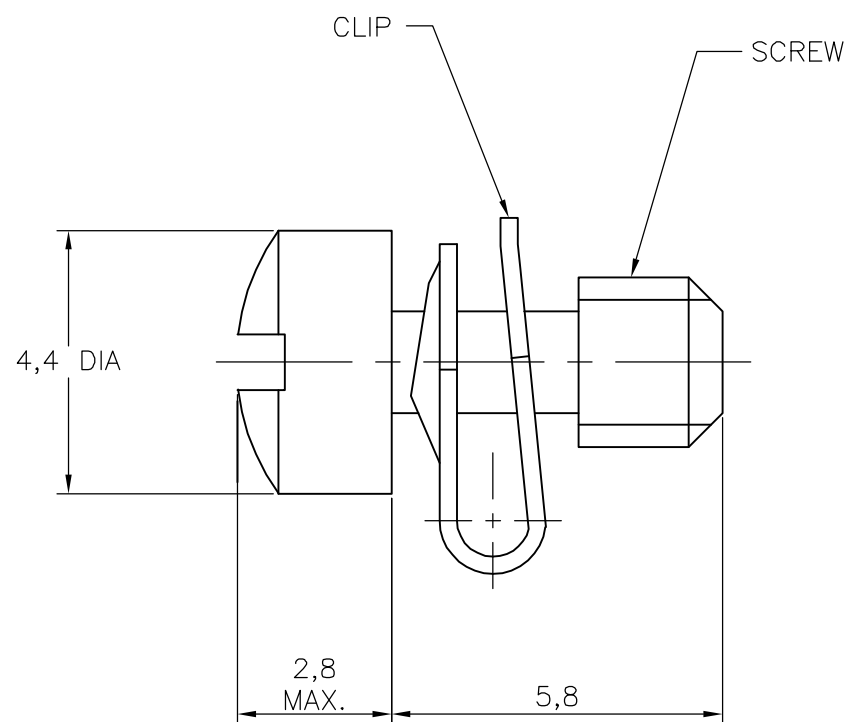
THIS DRAWING IS UNPUBLISHED. RELEASED FOR PUBLICATION

© COPYRIGHT - BY TYCO ELECTRONICS CORPORATION. ALL RIGHTS RESERVED.

LOC	DIST	REVISIONS					
		P	LTR	DESCRIPTION	DATE	DWN	APVD
H	-		A	NEW	15-07-05	JvdH	DC
			B	ECR-05-013427	19-10-05	JvdH	JB
			C	ECR-06-019973	27-11-06	BSV	MK

NOTES:

- ① PARTS PACKAGED UNASSEMBLED.
1 KIT CONTAINS 2 SCREWS , 2 CLIPS.
- ② SCREW: STEEL
CLIP : STAINLESS STEEL
- ③ SCREW: BRIGHT TINPLATED.
CLIP : NO PLATING.
- ④ INDIVIDUAL KIT : 2 SCREWS +2 CLIPS IN ONE PLASTIC BAG
- ⑤ 100 KITS BULKPACKAGE : 200 SCREWS IN ONE PLASTIC BAG AND
200 CLIPS IN ANOTHER PLASTIC BAG.
1857211-3 AND -4 TO BE ORDERED IN MULTIPLES OF 100
PIECES OF THE PARTNUMBER.



⑤	③	②	M3	1857211-4
			4-40 UNC.	1857211-3
④	③	②	M3	1857211-2
			4-40 UNC.	1857211-1
PACKING		FINISH	MATERIAL	PART NUMBER ①

THIS DRAWING IS A CONTROLLED DOCUMENT.		DWN J.V.D.HEIJDEN. 15JUL05	Tyco Electronics Corporation s-HertogenBosch, Nederland,		
DIMENSIONS: MM		CHK D.CAMPSCHROER 15JUL05	NAME KIT, SCREW RETAINER, 4-40 UNC. M3, AMPLIMITE.		
		APVD J.BROEKSTEEG 15JUL05	PRODUCT SPEC -		
TOLERANCES UNLESS OTHERWISE SPECIFIED:		APPLICATION SPEC -			
0 PLC ± - 1 PLC ± - 2 PLC ± - 3 PLC ± - 4 PLC ± - ANGLES ± -		SIZE A3		CAGE CODE 00779	DRAWING NO C-1857211
MATERIAL -		WEIGHT -		RESTRICTED TO -	
FINISH -			CUSTOMER DRAWING		
			SCALE NTS	SHEET 1 OF 1	REV C