



Chipsmall Limited consists of a professional team with an average of over 10 year of expertise in the distribution of electronic components. Based in Hongkong, we have already established firm and mutual-benefit business relationships with customers from,Europe,America and south Asia,supplying obsolete and hard-to-find components to meet their specific needs.

With the principle of “Quality Parts,Customers Priority,Honest Operation,and Considerate Service”,our business mainly focus on the distribution of electronic components. Line cards we deal with include Microchip,ALPS,ROHM,Xilinx,Pulse,ON,Everlight and Freescale. Main products comprise IC,Modules,Potentiometer,IC Socket,Relay,Connector.Our parts cover such applications as commercial,industrial, and automotives areas.

We are looking forward to setting up business relationship with you and hope to provide you with the best service and solution. Let us make a better world for our industry!



Contact us

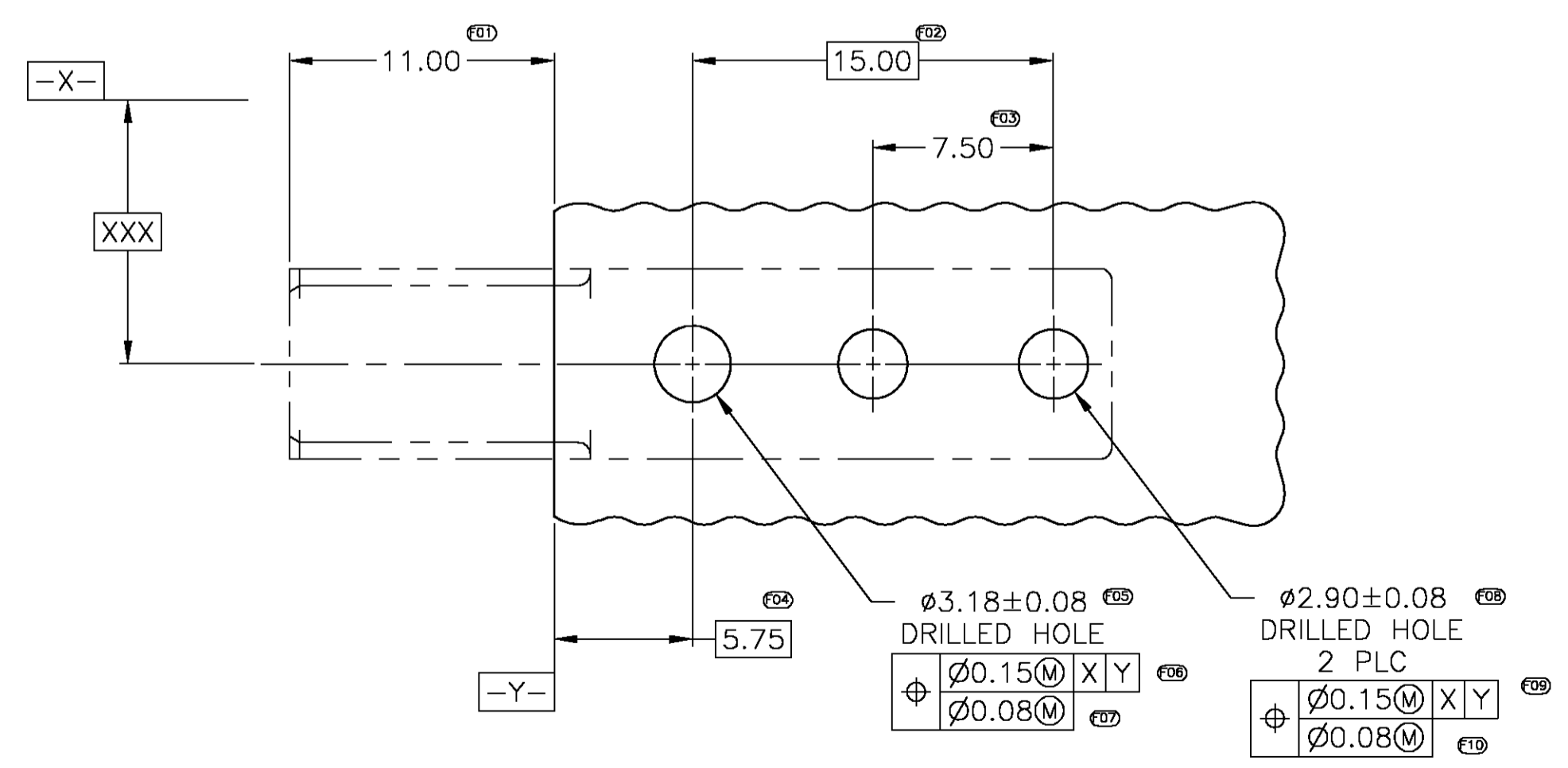
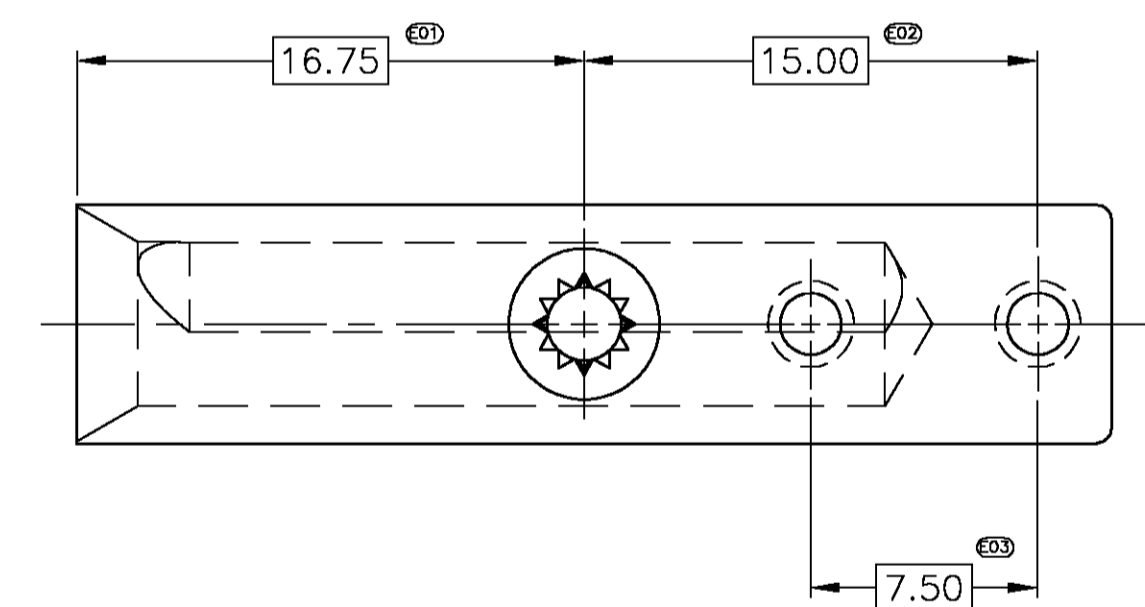
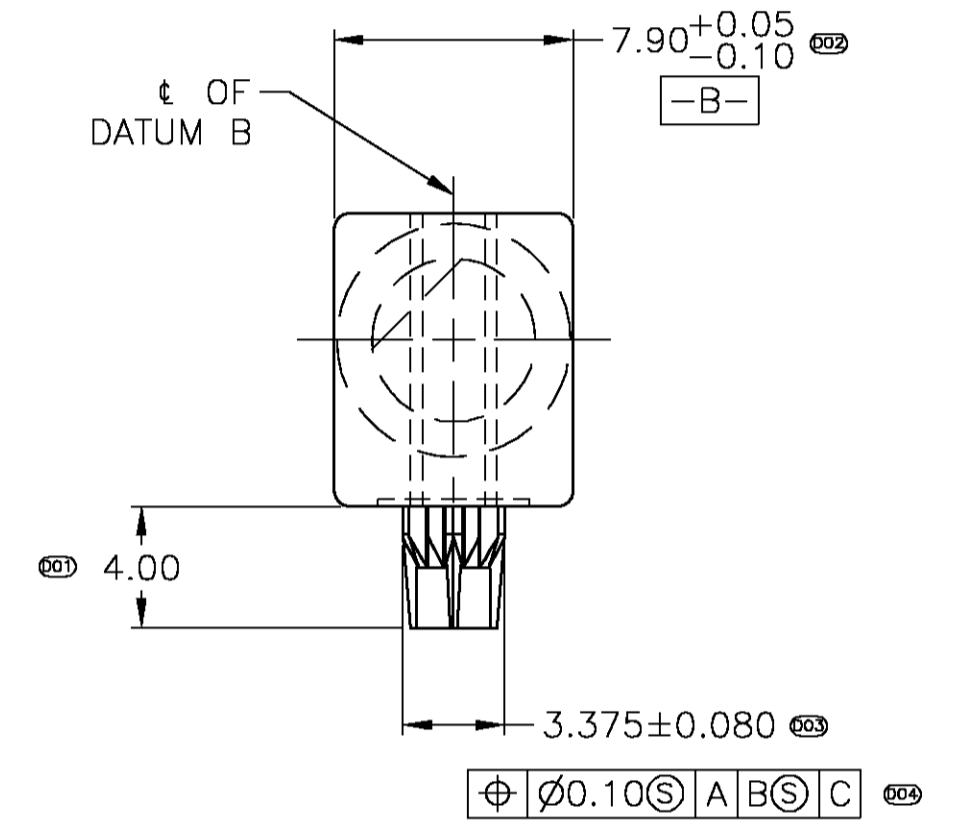
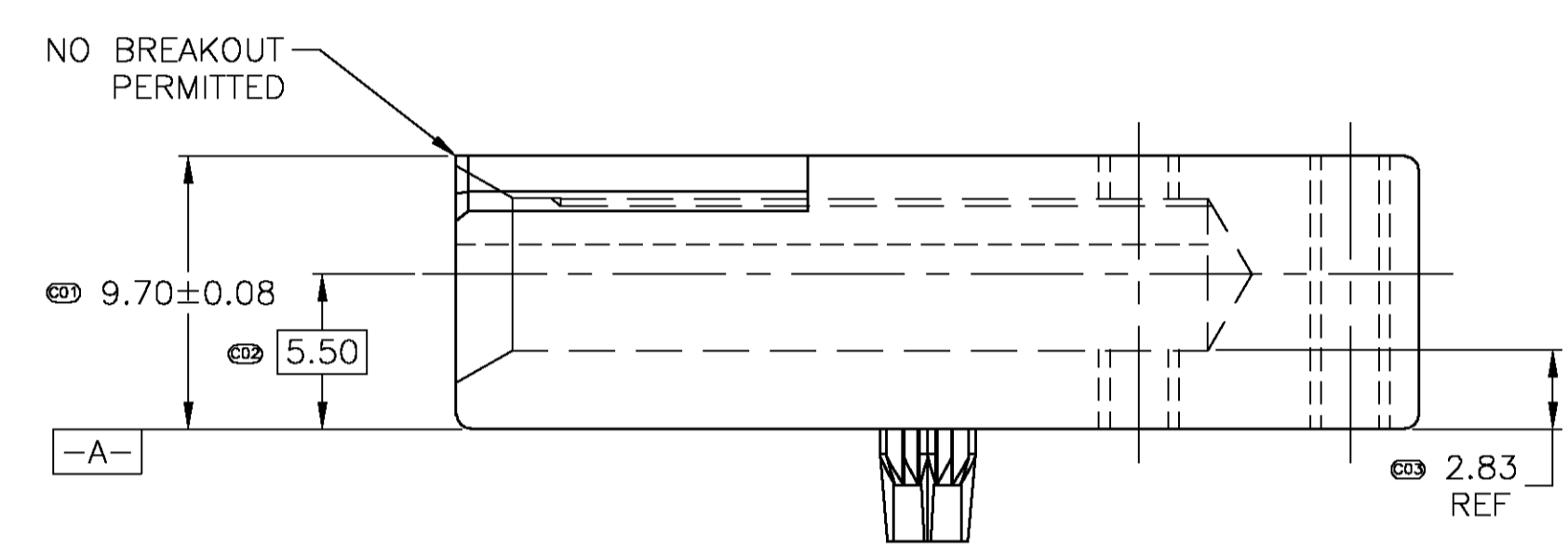
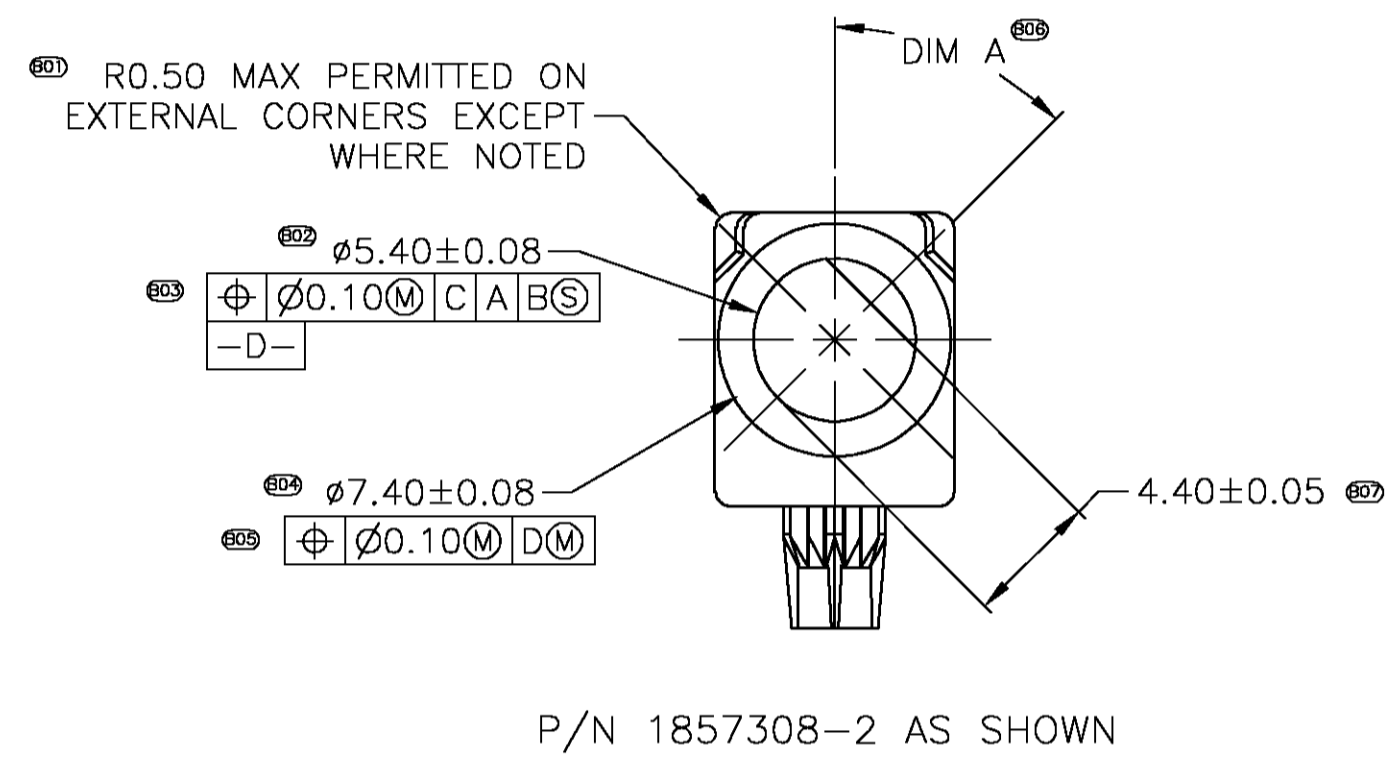
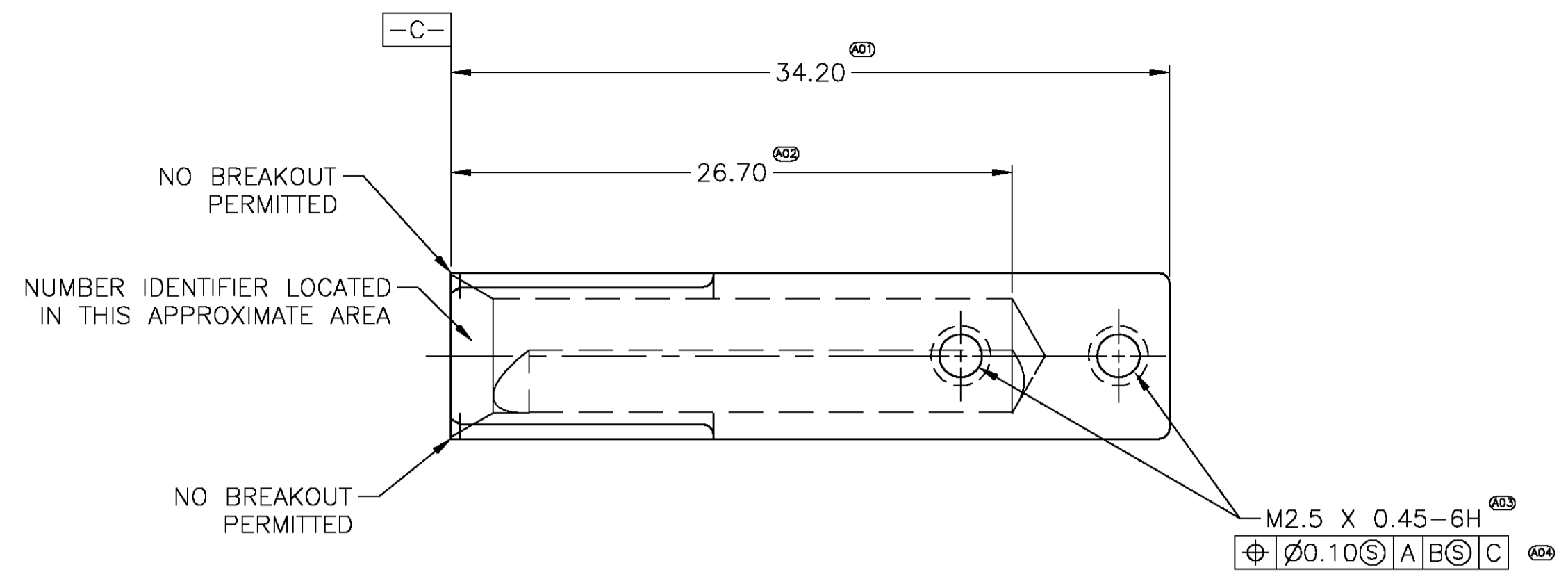
Tel: +86-755-8981 8866 Fax: +86-755-8427 6832

Email & Skype: info@chipsmall.com Web: www.chipsmall.com

Address: A1208, Overseas Decoration Building, #122 Zhenhua RD., Futian, Shenzhen, China



NOTES:
 1 MATERIAL: ZINC ALLOY DIE CASTING.
 2 SURFACE FINISH: CHROMATE CONVERSION COATING.
 (RoHS COMPATIBLE)



FOOT PRINT

1857308-2 AS SHOWN.

KEYING POSN	DIM A	PART NUMBER
8	315'	1857308-8
7	270'	1857308-7
6	225'	1857308-6
5	180'	1857308-5
4	135'	1857308-4
3	90'	1857308-3
2	45'	1857308-2
1	0'	1857308-1

THIS DRAWING IS A CONTROLLED DOCUMENT.		DIN	J.V.D.HEUWEN	13 SEP 2005	Tyco Electronics, Nederland BV 's-Hertogenbosch, Netherlands
DIMENSIONS: mm		CHK	J.TUIN	13 SEP 2005	
TOLERANCES UNLESS OTHERWISE SPECIFIED:		APVD	J.BROEKSTEEG	13 SEP 2005	NAME
0 PLC	± -	PRODUCT SPEC		MODULE, FEMALE, UNIVERSAL POWER MODULE, M2,5	
1 PLC	± -	APPLICATION SPEC		SIZE	
2 PLC	± 0.13	MATERIAL		CAGE CODE	
3 PLC	± -	FINISH		DRAWING NO	
4 PLC	± -	MATERIAL		RESTRICTED TO	
ANGLES	± -	MATERIAL		WEIGHT	
	± -	MATERIAL		SCALE	
	± -	MATERIAL		SHEET	
	± -	MATERIAL		REV	
	± -	MATERIAL		CUSTOMER DRAWING	