



Chipsmall Limited consists of a professional team with an average of over 10 year of expertise in the distribution of electronic components. Based in Hongkong, we have already established firm and mutual-benefit business relationships with customers from,Europe,America and south Asia,supplying obsolete and hard-to-find components to meet their specific needs.

With the principle of “Quality Parts,Customers Priority,Honest Operation,and Considerate Service”,our business mainly focus on the distribution of electronic components. Line cards we deal with include Microchip,ALPS,ROHM,Xilinx,Pulse,ON,Everlight and Freescale. Main products comprise IC,Modules,Potentiometer,IC Socket,Relay,Connector.Our parts cover such applications as commercial,industrial, and automotives areas.

We are looking forward to setting up business relationship with you and hope to provide you with the best service and solution. Let us make a better world for our industry!



Contact us

Tel: +86-755-8981 8866 Fax: +86-755-8427 6832

Email & Skype: info@chipsmall.com Web: www.chipsmall.com

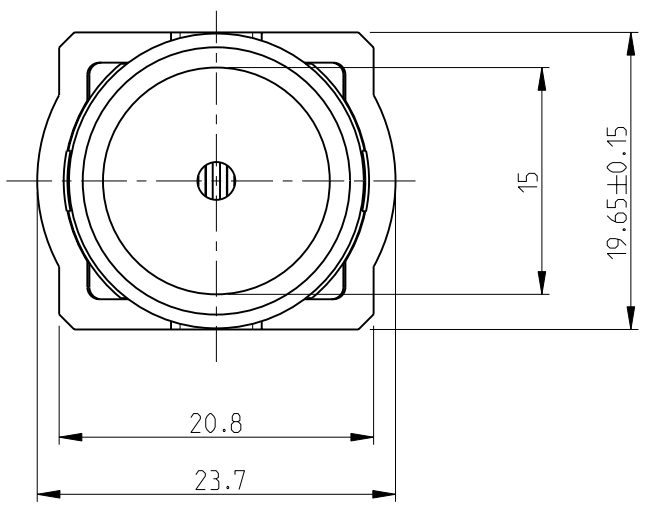
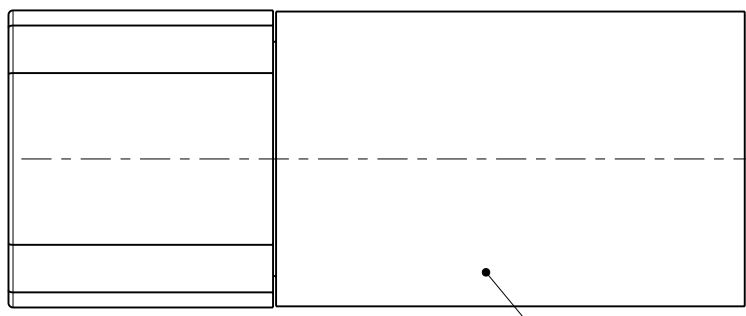
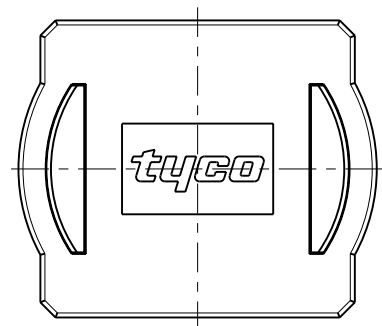
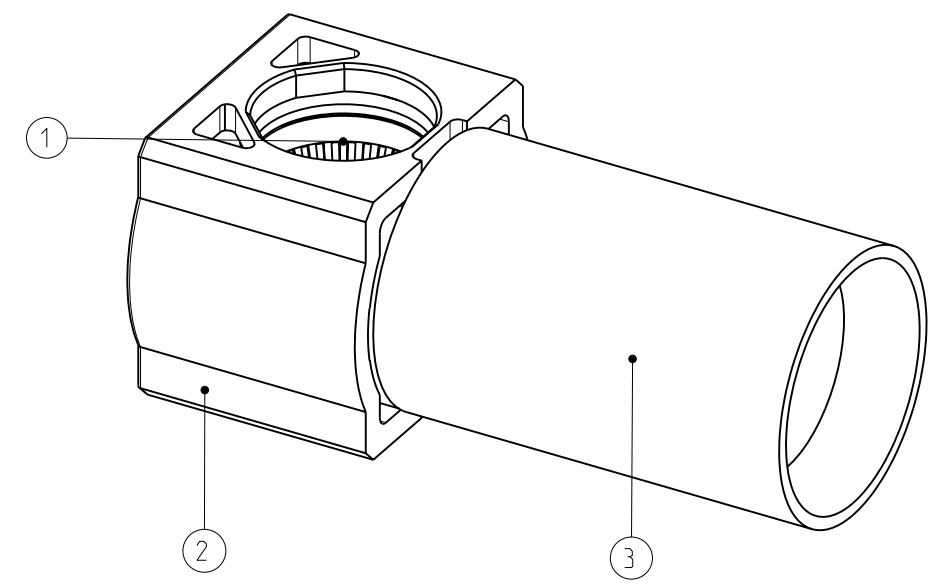
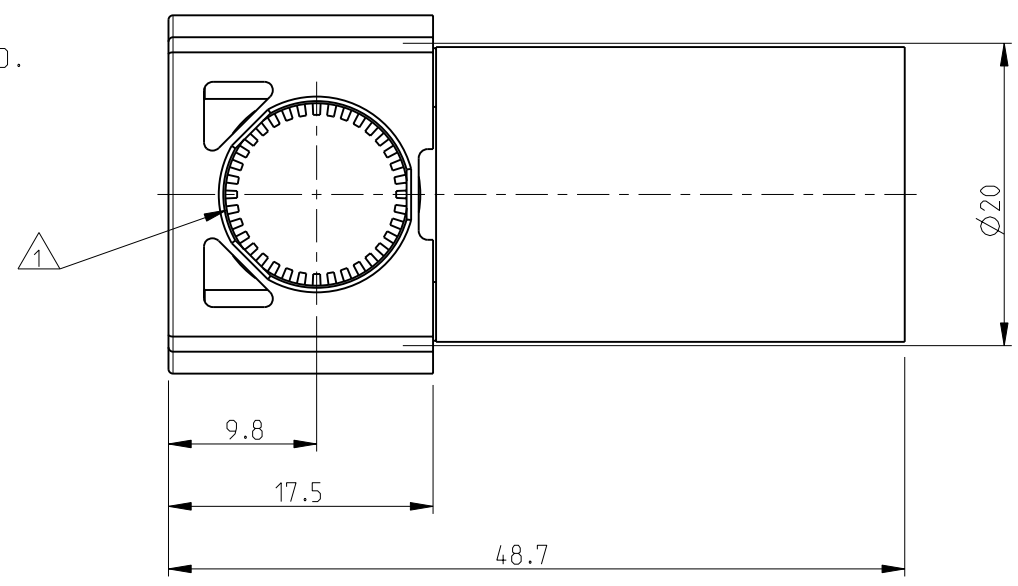
Address: A1208, Overseas Decoration Building, #122 Zhenhua RD., Futian, Shenzhen, China



THIS DRAWING IS UNPUBLISHED. RELEASED FOR PUBLICATION
 © COPYRIGHT - BY TYCO ELECTRONICS CORPORATION. ALL RIGHTS RESERVED.

LOC	DIST	REVISIONS					
H	-	P	LTR	DESCRIPTION	DATE	DWN	APVD
			A	Released As per ECR-10-025797	16DEC10	C.J	PKS

- NOTES:
- 1 SOCKET SUITABLE FOR Ø12mm PIN.
 - 2 CRIMP BARREL SUITABLE FOR 95mm² HIGH FLEXIBLE CABLE.
 - 3 TERMINATION DETAILS TO BE DETERMINED.



BLUE	1857547-2
RED	1857547-1
COLOR	PART NUMBER

3	SOCKET CONTACT BODY	COPPER ALLOY	SILVER OVER NICKEL
2	INSULATOR	THERMOPLASTIC UL94V-0	COLOR: RED OR BLUE
1	FEMALE LOUVERTAC BAND	COPPER ALLOY	SILVER OVER NICKEL
ITEM NO.	DESCRIPTION	MATERIAL	FINISH

THIS DRAWING IS A CONTROLLED DOCUMENT FOR TYCO ELECTRONICS CORPORATION
 IT IS SUBJECT TO CHANGE AND THE CONTROLLING ENGINEERING ORGANIZATION
 SHOULD BE CONTACTED FOR THE LATEST REVISION.

DIMENSIONS:	TOLERANCES UNLESS OTHERWISE SPECIFIED:
mm	
	0 PLC ±-
	1 PLC ±-
	2 PLC ±-
	3 PLC ±-
	4 PLC ±-
	ANGLES ±
MATERIAL see table	FINISH see table

DWN R. Daamen 15 mar 05	Tyco Electronics Nederland BV 's-Hertogenbosch, The Netherlands
CHK P. Jaeger 30 mar 06	
APVD J. Broeksteeg 30 mar 06	
NAME	RAPID LOCK 12mm pin, 95Sq. mm
PRODUCT SPEC	
APPLICATION SPEC	
WEIGHT -	SIZE A3 CAGE CODE 00779 DRAWING NO. C-1857547 RESTRICTED TO -
CUSTOMER DRAWING	SCALE 2:1 SHEET 1 OF 1 REV A