



Chipsmall Limited consists of a professional team with an average of over 10 year of expertise in the distribution of electronic components. Based in Hongkong, we have already established firm and mutual-benefit business relationships with customers from,Europe,America and south Asia,supplying obsolete and hard-to-find components to meet their specific needs.

With the principle of “Quality Parts,Customers Priority,Honest Operation,and Considerate Service”,our business mainly focus on the distribution of electronic components. Line cards we deal with include Microchip,ALPS,ROHM,Xilinx,Pulse,ON,Everlight and Freescale. Main products comprise IC,Modules,Potentiometer,IC Socket,Relay,Connector.Our parts cover such applications as commercial,industrial, and automotives areas.

We are looking forward to setting up business relationship with you and hope to provide you with the best service and solution. Let us make a better world for our industry!



Contact us

Tel: +86-755-8981 8866 Fax: +86-755-8427 6832

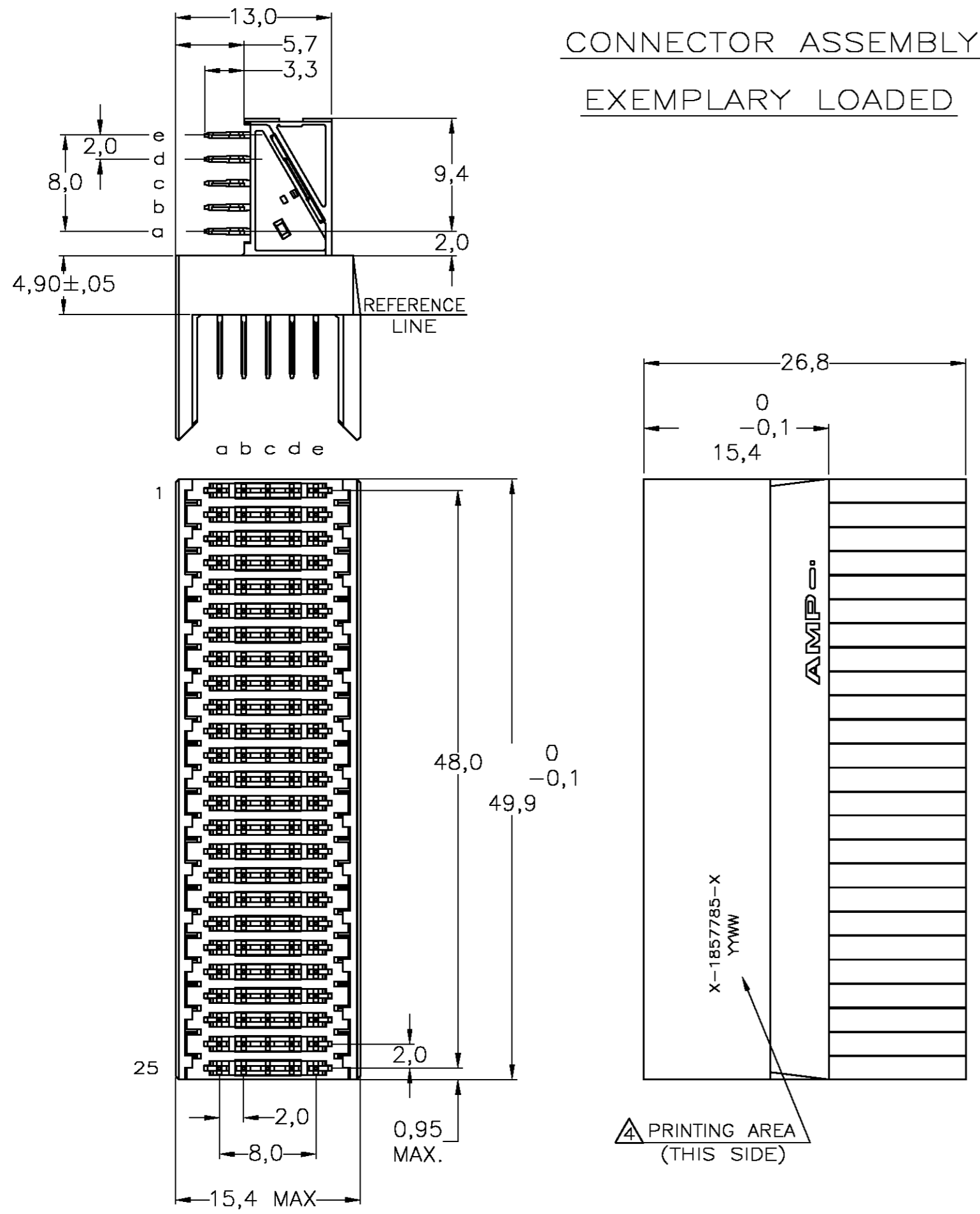
Email & Skype: info@chipsmall.com Web: www.chipsmall.com

Address: A1208, Overseas Decoration Building, #122 Zhenhua RD., Futian, Shenzhen, China

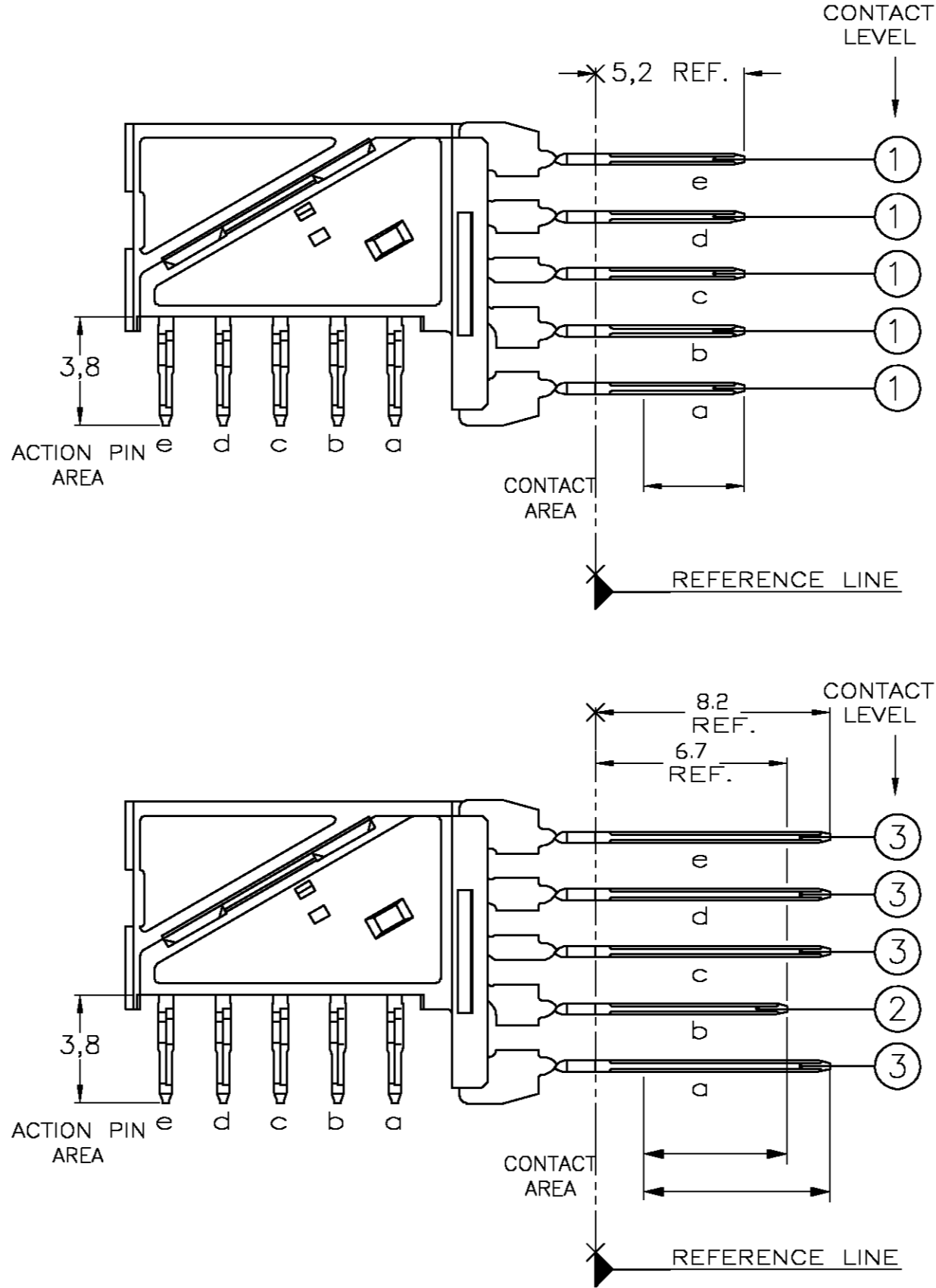


THIS DRAWING IS UNPUBLISHED. RELEASED FOR PUBLICATION
 © COPYRIGHT BY TYCO ELECTRONICS CORPORATION. ALL RIGHTS RESERVED.

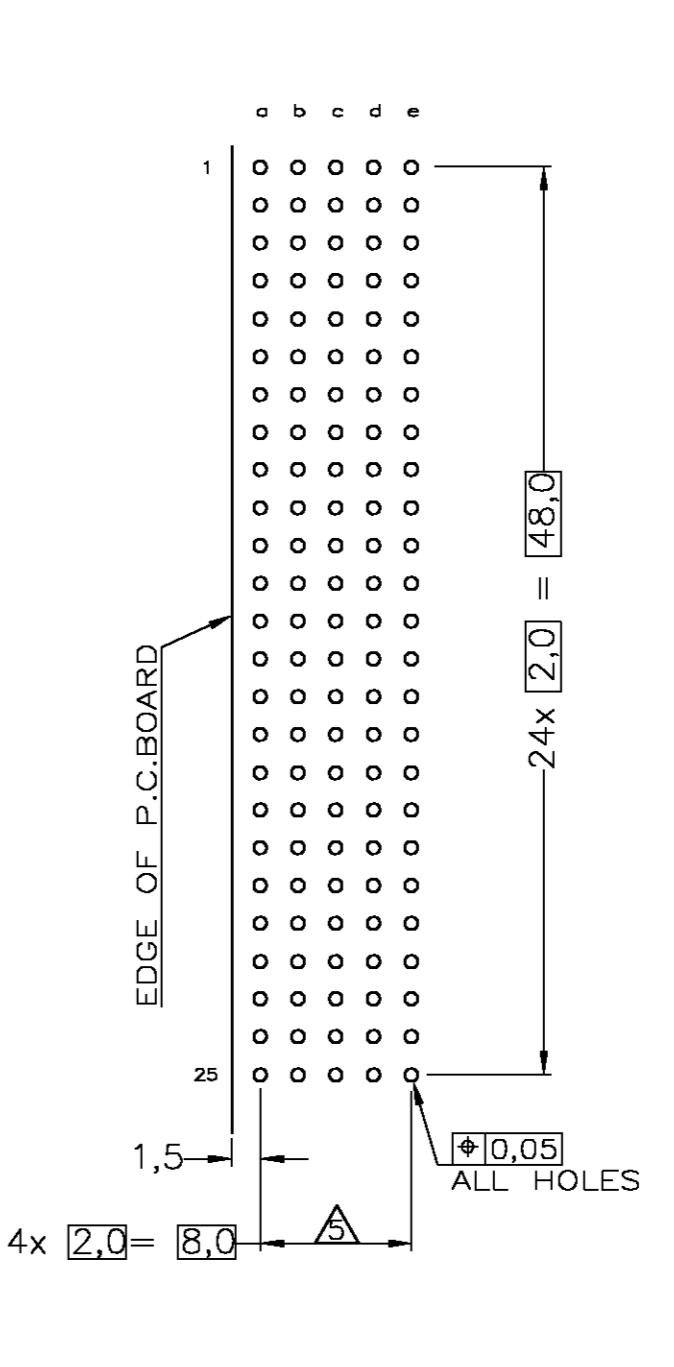
LOC	DIST	REVISIONS					
H	-	P	LTR	DESCRIPTION	DATE	DWN	APVD
		-	-	FIRST ISSUE	-	-	-



CONTACT DIMENSIONS



RECOMMENDED PCB-HOLE LAY-OUT
COMPONENT SIDE SHOWN



CONTACT LAYOUT

	a	b	c	d	e
1	1	1	1	1	1
2	1	1	1	1	1
3	3	2	3	3	3
4	1	1	1	1	1
5	1	1	1	1	1
6	1	1	1	1	1
7	3	2	3	3	3
8	1	1	1	1	1
9	1	1	1	1	1
10	1	1	1	1	1
11	3	2	3	3	3
12	1	1	1	1	1
13	1	1	1	1	1
14	1	1	1	1	1
15	3	2	3	3	3
16	1	1	1	1	1
17	1	1	1	1	1
18	1	1	1	1	1
19	3	2	3	3	3
20	1	1	1	1	1
21	1	1	1	1	1
22	1	1	1	1	1
23	3	2	3	3	3
24	1	1	1	1	1
25	1	1	1	1	1

P.C.B. HOLE DIM. ACTION PIN FOR DETAILS SEE APPLICATION SPECIFICATION

- NOTES:
- △ MATERIAL HOUSING : GREY GLASSFILLED POLYESTER
UL-RATING V0
 - △ CONTACT : PHOSPHORBRONZE
 - △ GENERAL PLATING SPECIFICATION: UNDERPLATING (ENTIRE CONTACT): 1,27µm NICKEL MIN. AND ACTION PIN: 0,5µm TIN MIN. FOR PLATING OF MATING SURFACES SEE APPLICABLE SPECIFICATION REFERENCE FOR EACH DASH NUMBER.
 - △ CONFORMS TO ALL TESTING ACCORDING IEC 61076-4-101 PERFORMANCE LEVEL 2.
 - △ CONNECTOR PRINTED WITH PARTNUMBER AND DATECODE.
 - △ PLATED-THROUGH HOLES AT 2x2mm SQUARE GRID.

THIS DRAWING IS A CONTROLLED DOCUMENT.		DWN B. MOOIJ 08-JUN-06	CONTACT FINISH		MATERIAL		PARTNUMBER	
DIMENSIONS: MM		CHK B. MOOIJ 08-JUN-06	APVD J. BROEKSTEEG 08-JUN-06		NAME		1857785-1	
TOLERANCES UNLESS OTHERWISE SPECIFIED:		PRODUCT SPEC 108-19082		APPLICATION SPEC 114-19029		Tyco Electronics Corporation 's-Hertogenbosch, Netherlands		
MATERIAL		WEIGHT		SIZE A2		CAGE CODE 00779		
FINISH		CUSTOMER DRAWING		DRAWING NO C=1857785		RESTRICTED TO		
		SCALE NTS		SHEET 1 OF 1		REV A		