



Chipsmall Limited consists of a professional team with an average of over 10 year of expertise in the distribution of electronic components. Based in Hongkong, we have already established firm and mutual-benefit business relationships with customers from,Europe,America and south Asia,supplying obsolete and hard-to-find components to meet their specific needs.

With the principle of "Quality Parts,Customers Priority,Honest Operation,and Considerate Service",our business mainly focus on the distribution of electronic components. Line cards we deal with include Microchip,ALPS,ROHM,Xilinx,Pulse,ON,Everlight and Freescale. Main products comprise IC,Modules,Potentiometer,IC Socket,Relay,Connector.Our parts cover such applications as commercial,industrial, and automotives areas.

We are looking forward to setting up business relationship with you and hope to provide you with the best service and solution. Let us make a better world for our industry!



## Contact us

Tel: +86-755-8981 8866 Fax: +86-755-8427 6832

Email & Skype: info@chipsmall.com Web: www.chipsmall.com

Address: A1208, Overseas Decoration Building, #122 Zhenhua RD., Futian, Shenzhen, China



4

3

2

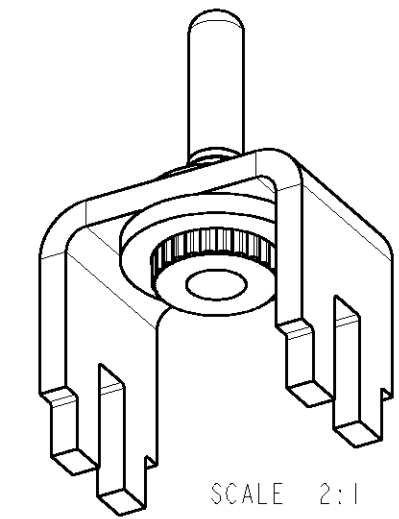
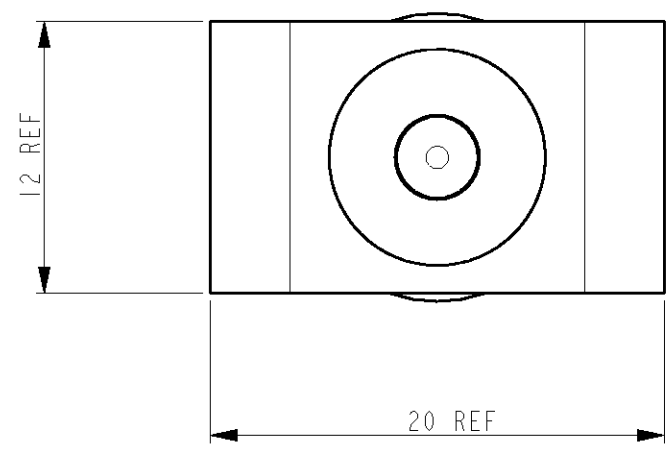
1

THIS DRAWING IS UNPUBLISHED. RELEASED FOR PUBLICATION 20  
 © COPYRIGHT 20 BY TYCO ELECTRONICS CORPORATION. ALL RIGHTS RESERVED.

LOC	DIST	REVISIONS					
H	-	P	LTR	DESCRIPTION	DATE	DWN	APVD
			A	RELEASED	28MAR2007	RD	RL
			B	ECR-07-013006	01JUN2007	RD	RL
			C	ECR-08-017970	17JUL2008	JvdH	RL

D

D



C

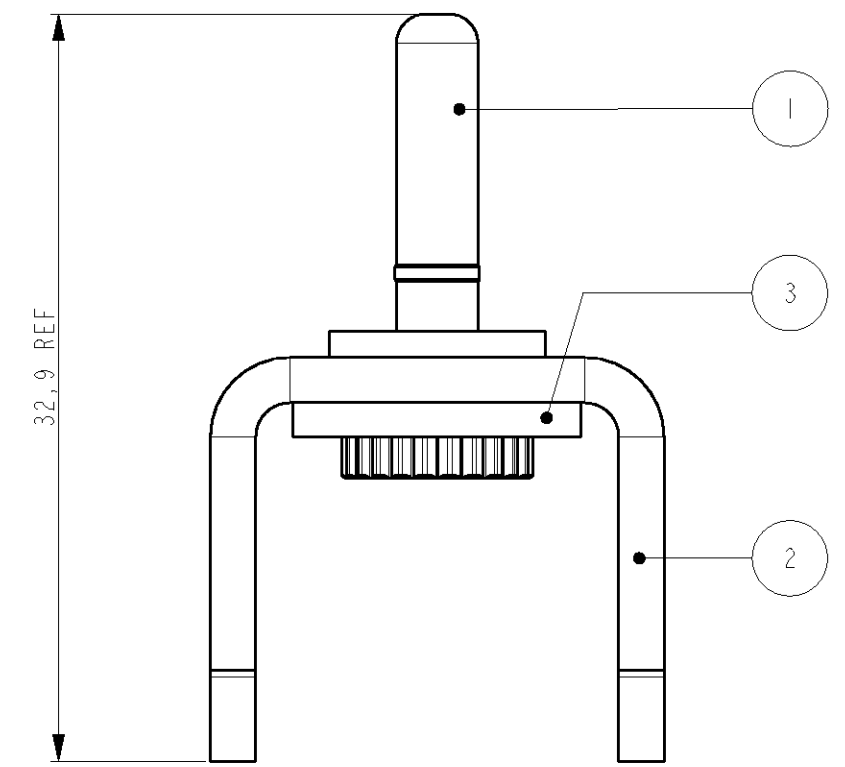
C

NOTES:

- ① 5,0µm MIN. SILVER OVER 1,0µm MIN. NICKEL
- ② 0,5µm MIN. GOLD OVER 1,0µm MIN. NICKEL
- ③ 4-15µm TIN (MINIMUM IN AREA OF PINS) OVER 1,2µm MIN. NICKEL
- ④ 1,0µm MIN. NICKEL

B

B



A

A

ITEM NO.	DESCRIPTION	MATERIAL	FINISH	QUANTITY
3	SWAGE WASHER 1,5MM THICK	STEEL	④	1
2	STRIP	COPPER ALLOY	③	1
1	CONTACT PIN SIZE #8	COPPER ALLOY	②	1
1	CONTACT PIN SIZE #8	COPPER ALLOY	①	1

THIS DRAWING IS A CONTROLLED DOCUMENT FOR TYCO ELECTRONICS CORPORATION  
 IT IS SUBJECT TO CHANGE AND THE CONTROLLING ENGINEERING ORGANIZATION  
 SHOULD BE CONTACTED FOR THE LATEST REVISION.

DOWNSIDE		DWN 14AUG2006 J. van Hoek	
CHECKED		CHK 17AUG2006 R. Daamen	
APPROVED		APVD 17AUG2006 J. Broeksteeg	
DIMENSIONS:		TOLERANCES UNLESS OTHERWISE SPECIFIED:	
mm		0 PLC ±0,2	
1 PLC ±0,1		1 PLC ±0,1	
2 PLC ±0,05		2 PLC ±0,05	
3 PLC ±0,025		3 PLC ±0,025	
4 PLC ±0,005		4 PLC ±0,005	
ANGLES ±1,0		ANGLES ±1,0	
MATERIAL -		FINISH -	

DWN 14AUG2006 J. van Hoek		Tyco Electronics Nederland BV 's-Hertogenbosch, The Netherlands	
CHK 17AUG2006 R. Daamen			
APVD 17AUG2006 J. Broeksteeg		NAME	
PRODUCT SPEC		BUSBAR WITH CONTACT PIN SIZE #8 SWAGE MOUNTED	
APPLICATION SPEC		SIZE CAGE CODE DRAWING NO RESTRICTED TO	
WEIGHT -		A3 00779 C-1857925 -	
CUSTOMER DRAWING		SCALE 3:1 SHEET 1 OF 1 REV C	

1857925-1  
1857925-2