



Chipsmall Limited consists of a professional team with an average of over 10 year of expertise in the distribution of electronic components. Based in Hongkong, we have already established firm and mutual-benefit business relationships with customers from,Europe,America and south Asia,supplying obsolete and hard-to-find components to meet their specific needs.

With the principle of "Quality Parts,Customers Priority,Honest Operation,and Considerate Service",our business mainly focus on the distribution of electronic components. Line cards we deal with include Microchip,ALPS,ROHM,Xilinx,Pulse,ON,Everlight and Freescale. Main products comprise IC,Modules,Potentiometer,IC Socket,Relay,Connector.Our parts cover such applications as commercial,industrial, and automotives areas.

We are looking forward to setting up business relationship with you and hope to provide you with the best service and solution. Let us make a better world for our industry!



## Contact us

Tel: +86-755-8981 8866 Fax: +86-755-8427 6832

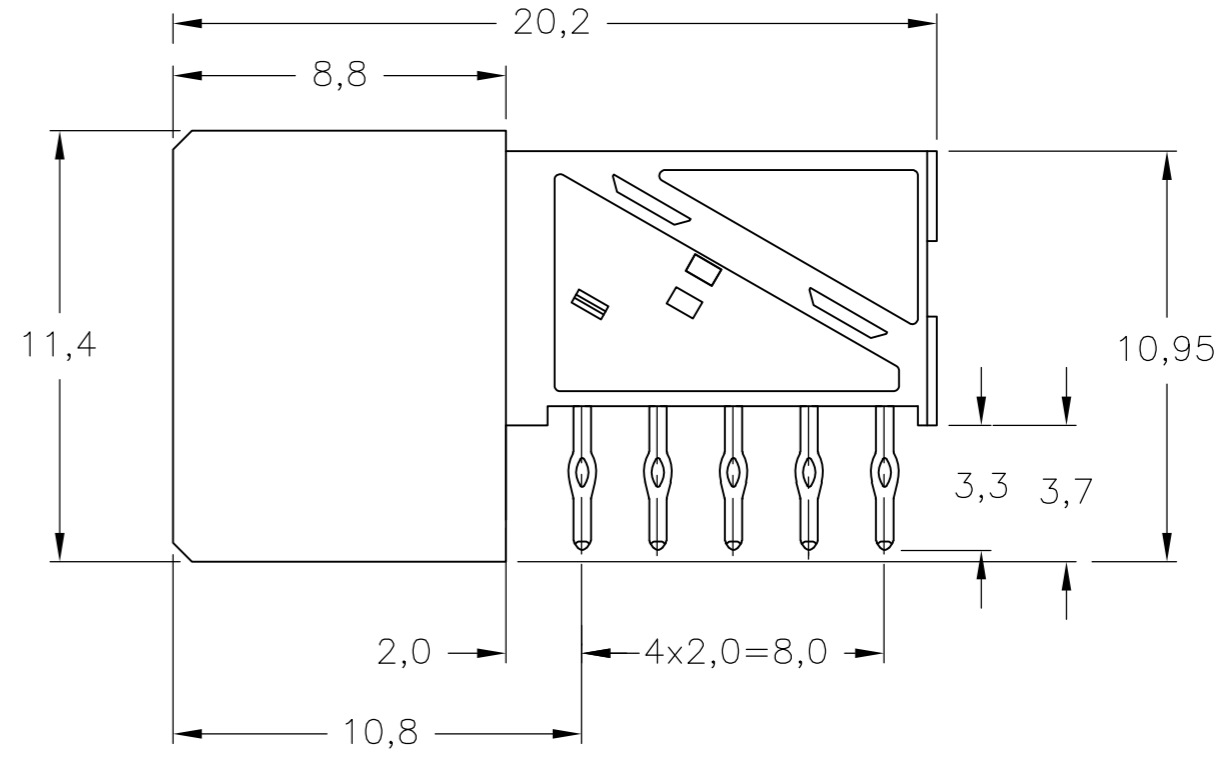
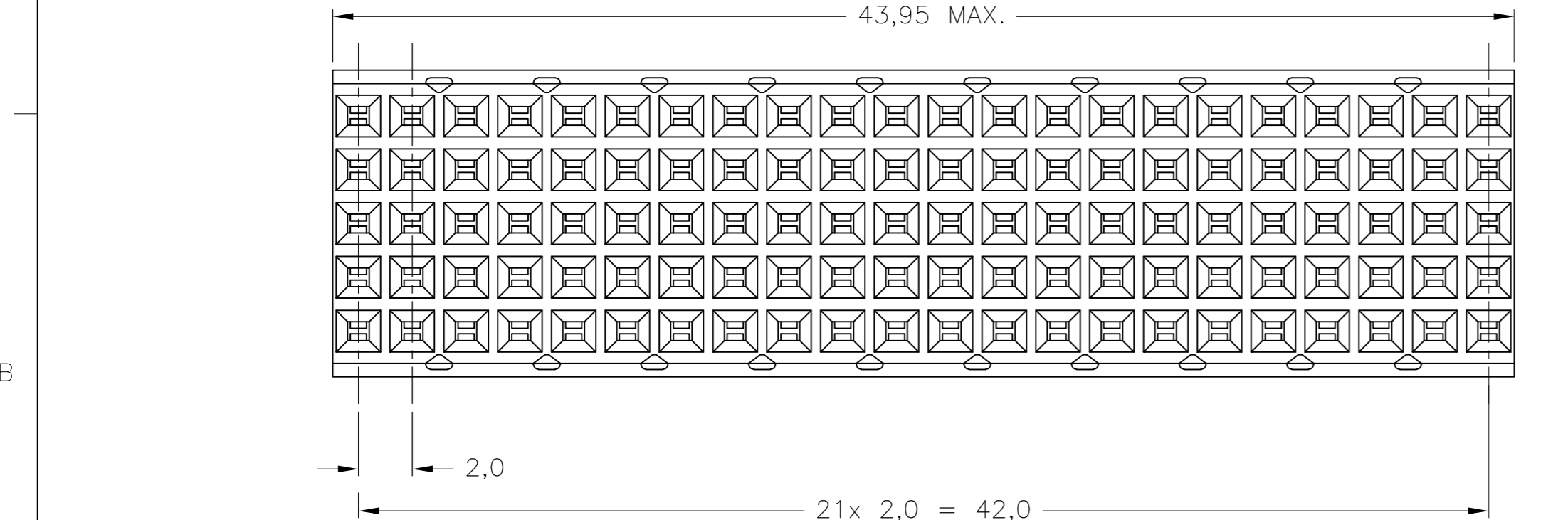
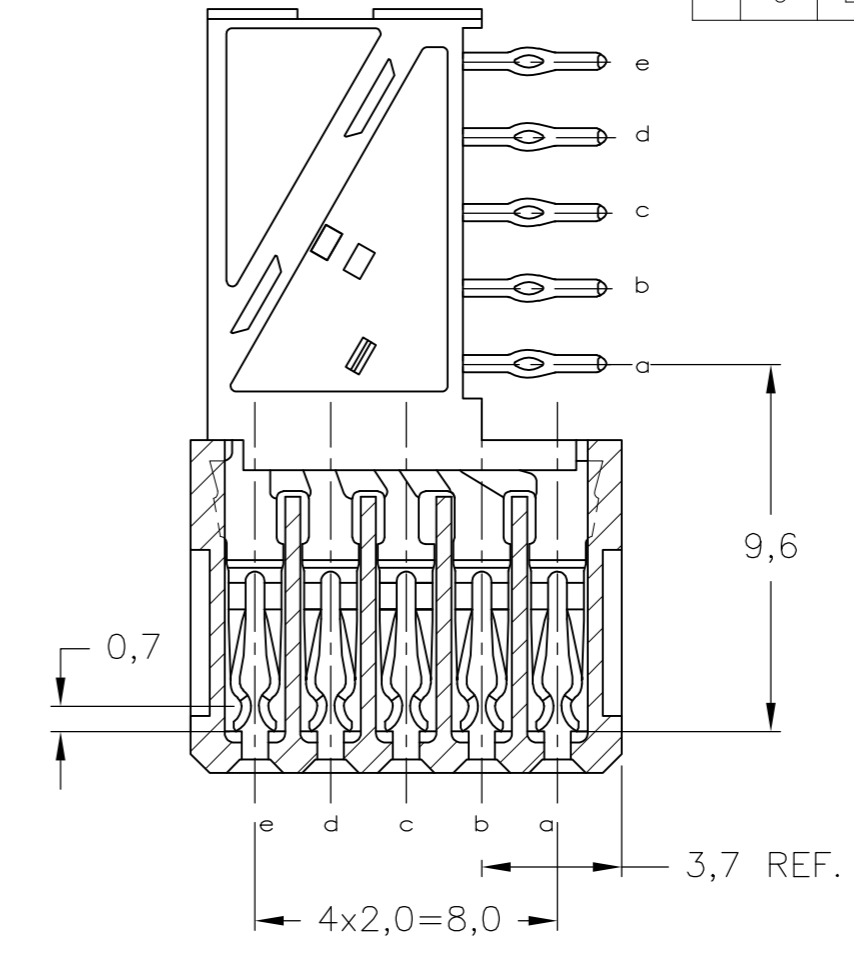
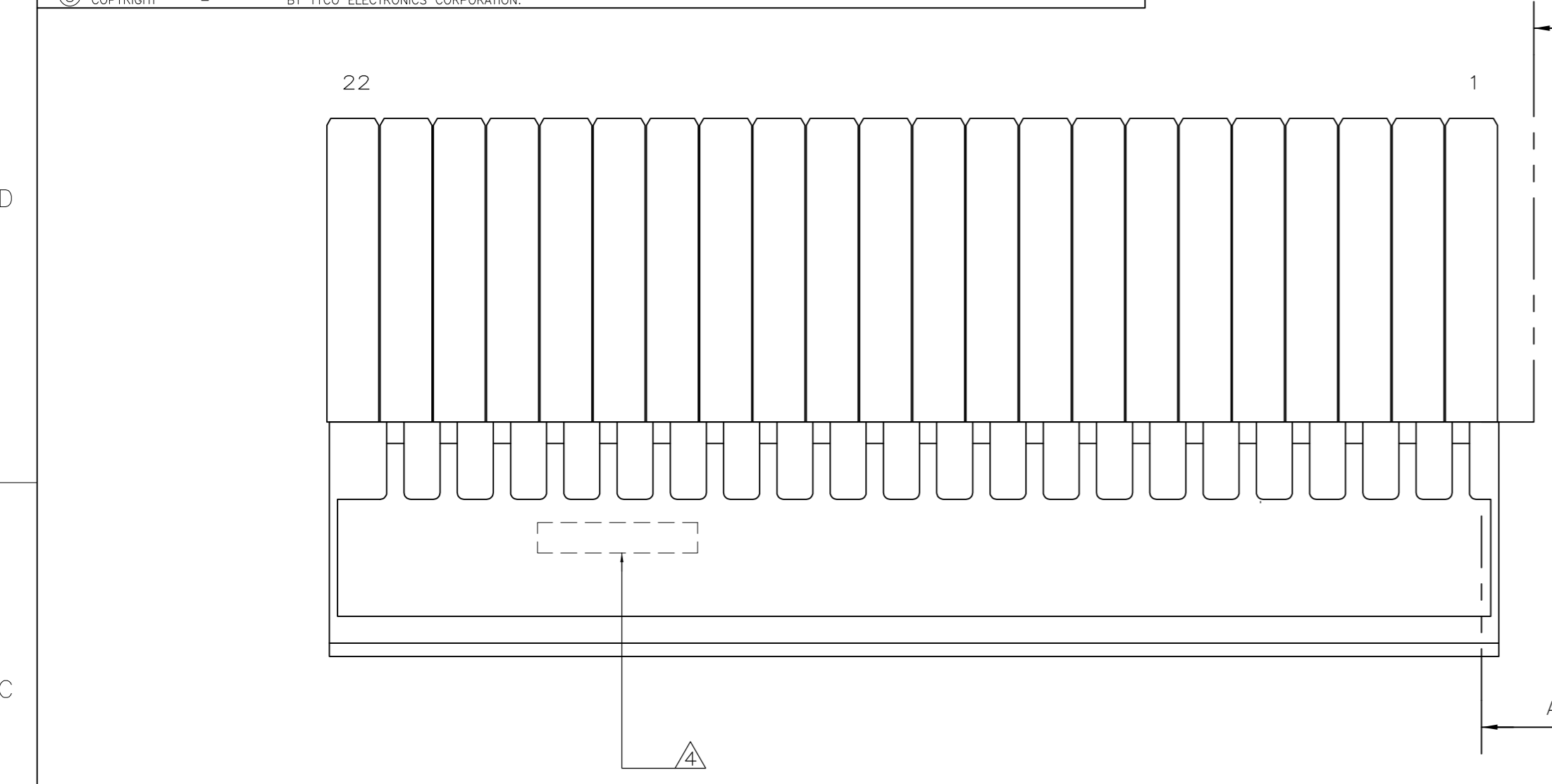
Email & Skype: info@chipsmall.com Web: www.chipsmall.com

Address: A1208, Overseas Decoration Building, #122 Zhenhua RD., Futian, Shenzhen, China

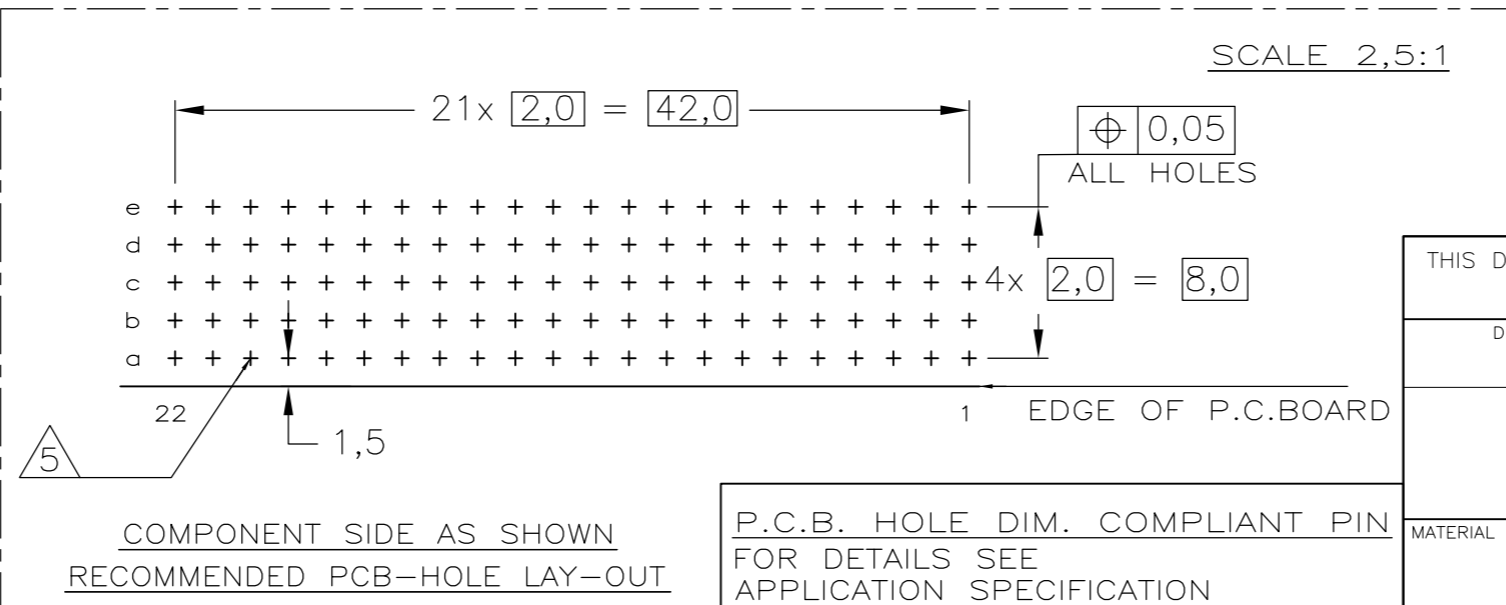


THIS DRAWING IS UNPUBLISHED. RELEASED FOR PUBLICATION  
 © COPYRIGHT BY TYCO ELECTRONICS CORPORATION. ALL RIGHTS RESERVED.

LOC		DIST		REVISIONS			
P	LTR	DESCRIPTION	DATE	DWN	APVD		
A		FIRST ISSUE	23AUG2007	JvH	JB		
B		ECR-10-018652	10SEP10	SW	MQW		
C		ECO-11-024491	13DEC11	SY	MQW		



- NOTES:**
- 1 MATERIAL CONTACT; PHOSPHORBRONZE  
MATERIAL HOUSING; GLASSFILLED POLYESTER (GRAY)  
UL-RATING 94V0.
  - 2 GENERAL PLATING SPECIFICATION: UNDERPLATING  
(ENTIRE CONTACT): 1,27µm NICKEL MIN. AND COMPLIANT  
PIN SECTION: 0,5µm TIN MIN.  
FOR PLATING OF MATING SURFACES SEE APPLICABLE  
SPECIFICATION REFERENCE FOR EACH DASH NUMBER.
  - 3 CONFORMS TO ALL TESTING ACCORDING IEC 61076-4-101  
PERFORMANCE LEVEL 2.
  - 4 CONNECTOR PRINTED WITH PARTNUMBER AND DATECODE
  - 5 PLATED-THROUGH HOLES AT 2x2mm  
SQUARE GRID. 110 HOLES
  - 6. FITS WITH INTEGRATED GROUND RETURN UPPERSHIELD  
BASIC P.N. 5352151



THIS DRAWING IS A CONTROLLED DOCUMENT.		DWN	23AUG2007	Tyco Electronics Corporation	
DIMENSIONS: mm		CHK	23AUG2007	's-Hertogenbosch, 5222AR-32	
TOLERANCES UNLESS OTHERWISE SPECIFIED:		APVD	23AUG2007	NAME	
0 PLG ±		J.Broeksteeg		Z-PACK 2mm HM	
1 PLG ±		APPLICATION SPEC		110 POS. FEMALE DAUGHTER CARD CONN.	
2 PLG ± ±0.2		108-19082		(22 COLUMNS)	
3 PLG ±		114-19029		SIZE	A2
4 PLG ±		WEIGHT	-	CAGE CODE	00779
ANGLES ±		CUSTOMER DRAWING		DRAWING NO	C=1857992
FINISH		-		RESTRICTED TO	-
		SCALE	5:1	SHEET	1 OF 1
		REV	C		