



Chipsmall Limited consists of a professional team with an average of over 10 year of expertise in the distribution of electronic components. Based in Hongkong, we have already established firm and mutual-benefit business relationships with customers from,Europe,America and south Asia,supplying obsolete and hard-to-find components to meet their specific needs.

With the principle of “Quality Parts,Customers Priority,Honest Operation,and Considerate Service”,our business mainly focus on the distribution of electronic components. Line cards we deal with include Microchip,ALPS,ROHM,Xilinx,Pulse,ON,Everlight and Freescale. Main products comprise IC,Modules,Potentiometer,IC Socket,Relay,Connector.Our parts cover such applications as commercial,industrial, and automotives areas.

We are looking forward to setting up business relationship with you and hope to provide you with the best service and solution. Let us make a better world for our industry!



Contact us

Tel: +86-755-8981 8866 Fax: +86-755-8427 6832

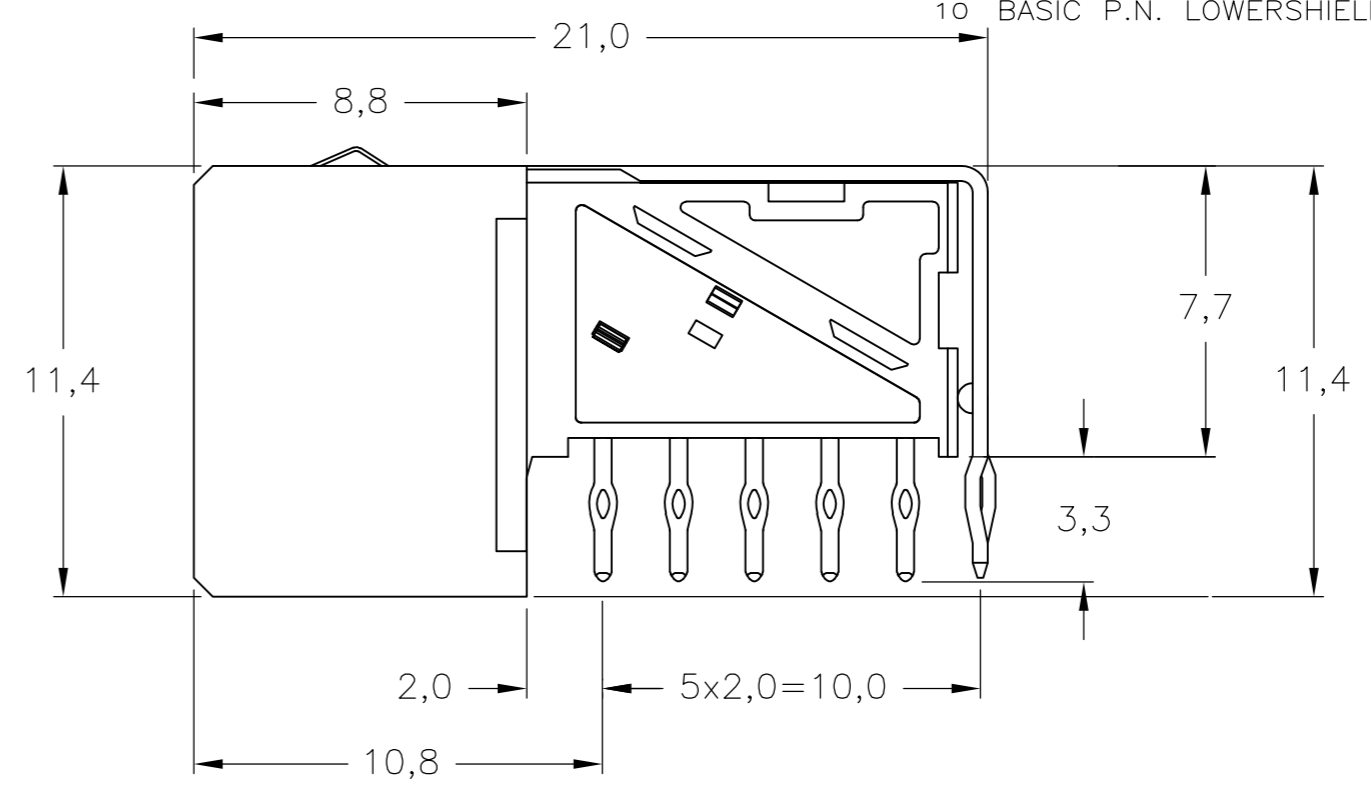
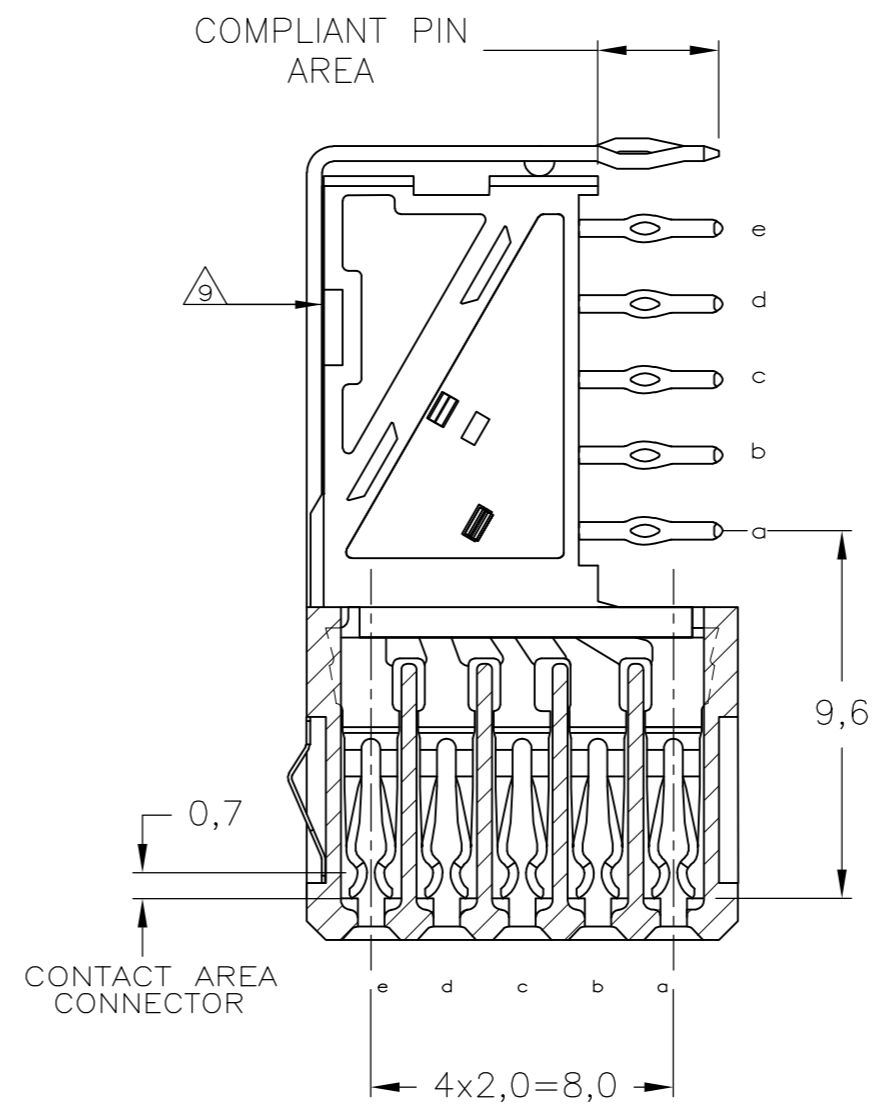
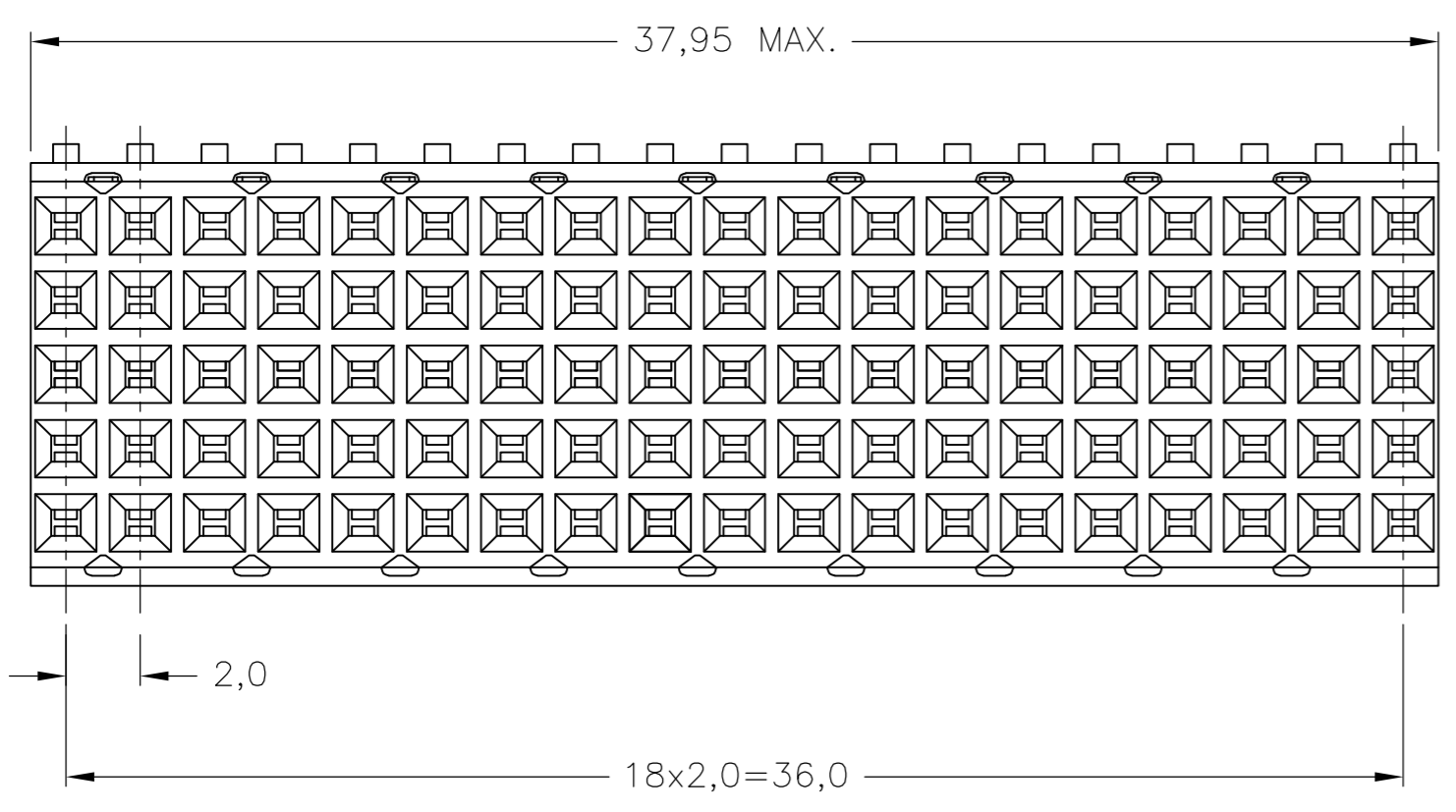
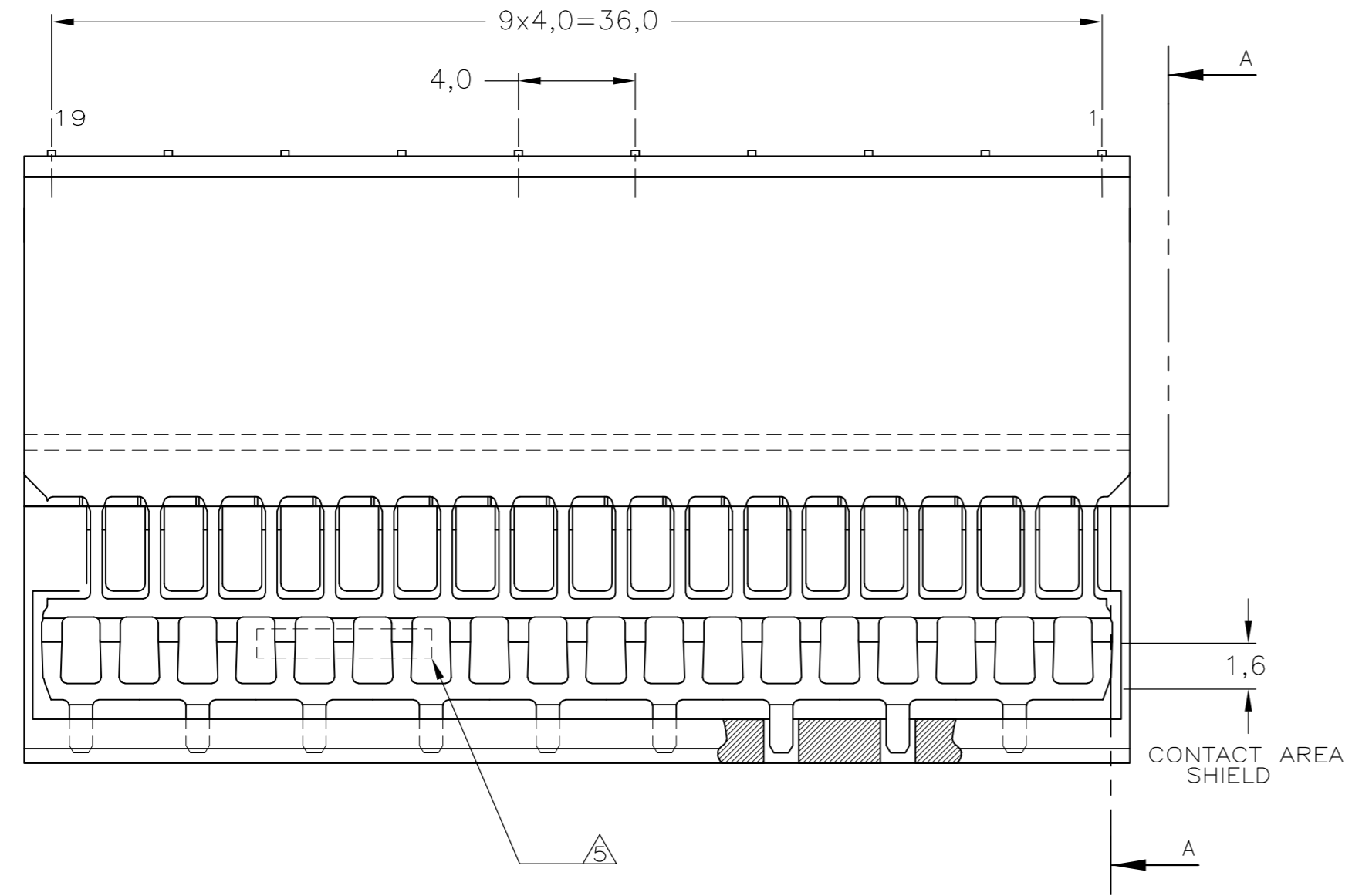
Email & Skype: info@chipsmall.com Web: www.chipsmall.com

Address: A1208, Overseas Decoration Building, #122 Zhenhua RD., Futian, Shenzhen, China



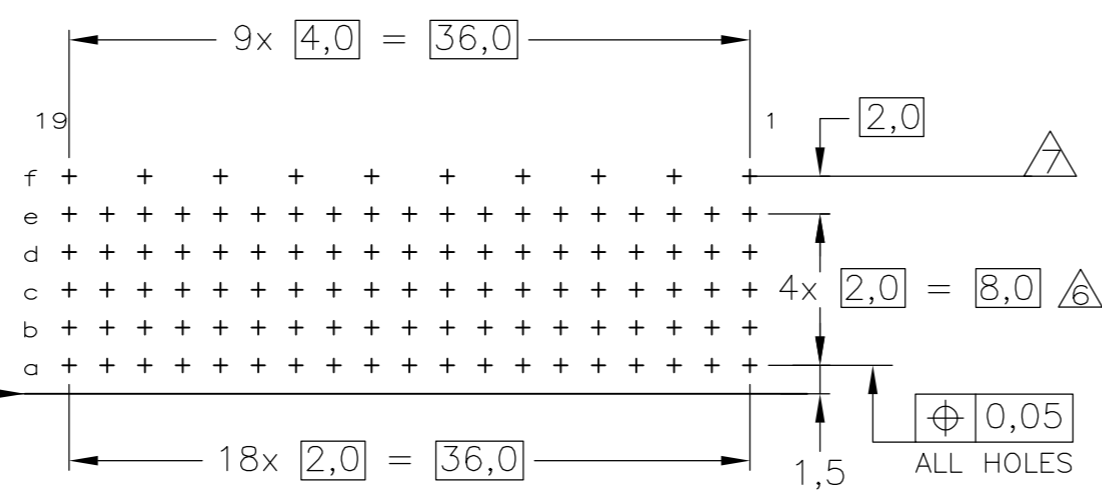
THIS DRAWING IS UNPUBLISHED. RELEASED FOR PUBLICATION
 © COPYRIGHT BY TYCO ELECTRONICS CORPORATION. ALL RIGHTS RESERVED.

LOC	DIST	REVISIONS					
		P	LTR	DESCRIPTION	DATE	DWN	APVD
H	-		A1	ECR-07-024984	19OCT2007	JvH	JB
			B	ECR-10-018652	10SEP10	SW	MQW
			C	ECO-11-024491	13DEC11	SY	MQW



- NOTES:
- 1 PLATING CONNECTOR:
CONTACT AREA: 0,76µm Au MIN. OVER 1,27 µm Ni MIN.
COMPLIANT PIN SECTION: 0,5µm Sn MIN. OVER 1,27 µm Ni MIN.
 - 2 PLATING CONNECTOR:
CONTACT AREA: 1,27µm Au MIN. OVER 1,27 µm Ni MIN.
COMPLIANT PIN SECTION: 0,5µm Sn MIN. OVER 1,27 µm Ni MIN.
 - 3 PLATING SHIELD:
CONTACT AREA: 0,76 µm Au MIN.
COMPLIANT PIN SECTION: 0,5 µm Sn MIN.
REMAINDER : Ni
 - 4 MATERIAL CONTACTS; PHOSPHORBRONZE
MATERIAL HOUSING; GLASSFILLED POLYESTER (GRAY)
 - 5 ASSEMBLY PRINTED WITH P/N AND DATECODE
THE MARKING CAN APPEAR ON THE FRONT SIDE OR BACK SIDE.
 - 6 HOLE PATTERN FOR FEMALE CONNECTOR TYPE B-19 COLUMNS
95 PLATED-THROUGH HOLES AT 2x2mm SQUARE GRID
 - 7 ROW "f" 10 PLATED THROUGH HOLES FOR UPERSHIELD
 - 8 CONNECTOR & SHIELD LUBRICATED WITH BELLCORE
APPROVED LUBRICANT, TECHNICAL REFERENCE
TR-NWT-001217 ISSUE 1, SEPT. 1992.
CONNECTOR TESTED AND QUALIFIED AGAINST BELLCORE
QUALITY LEVEL III, CENTRAL OFFICE APPLICATIONS
 - 9 SHIELD MOUNTED ON CONNECTOR WITH DOUBLE SIDED
ADHESIVE TAPE OR ADHESIVE.
- 10 BASIC P.N. LOWERSHIELD: 5352029

COMPONENT SIDE AS SHOWN
 RECOMMENDED PCB-HOLE LAY-OUT
 SCALE 2,5:1



P.C.B. HOLE DIM. COMPLIANT PIN
 FOR DETAILS SEE
 APPLICATION SPECIFICATION

1 3 8	4	1857998-9
2 3	4	1857998-4
1 3	4	1857998-1
FINISH	MATERIAL	PARTNUMBER

THIS DRAWING IS A CONTROLLED DOCUMENT.		DWN	J.van Hoek	23AUG2007	Tyco Electronics Corporation 's-Hertogenbosch,5222AR-32
DIMENSIONS: mm		CHK	B.Mooij	23AUG2007	
TOLERANCES UNLESS OTHERWISE SPECIFIED:		APVD	J.Broeksteeg	23AUG2007	
0-PLG ± 1-PLG ± 2-PLG ± ±0.2 3-PLG ± 4-PLG ± ANGLES ± FINISH -		PRODUCT SPEC	108-19082	NAME	
MATERIAL -		APPLICATION SPEC	114-19029	SIZE	A2
		WEIGHT	-	CAGE CODE	00779
		CUSTOMER DRAWING		DRAWING NO	C=1857998
		SCALE	5:1	SHEET	1 OF 1
		REV	C		