



Chipsmall Limited consists of a professional team with an average of over 10 year of expertise in the distribution of electronic components. Based in Hongkong, we have already established firm and mutual-benefit business relationships with customers from,Europe,America and south Asia,supplying obsolete and hard-to-find components to meet their specific needs.

With the principle of "Quality Parts,Customers Priority,Honest Operation,and Considerate Service",our business mainly focus on the distribution of electronic components. Line cards we deal with include Microchip,ALPS,ROHM,Xilinx,Pulse,ON,Everlight and Freescale. Main products comprise IC,Modules,Potentiometer,IC Socket,Relay,Connector.Our parts cover such applications as commercial,industrial, and automotives areas.

We are looking forward to setting up business relationship with you and hope to provide you with the best service and solution. Let us make a better world for our industry!



Contact us

Tel: +86-755-8981 8866 Fax: +86-755-8427 6832

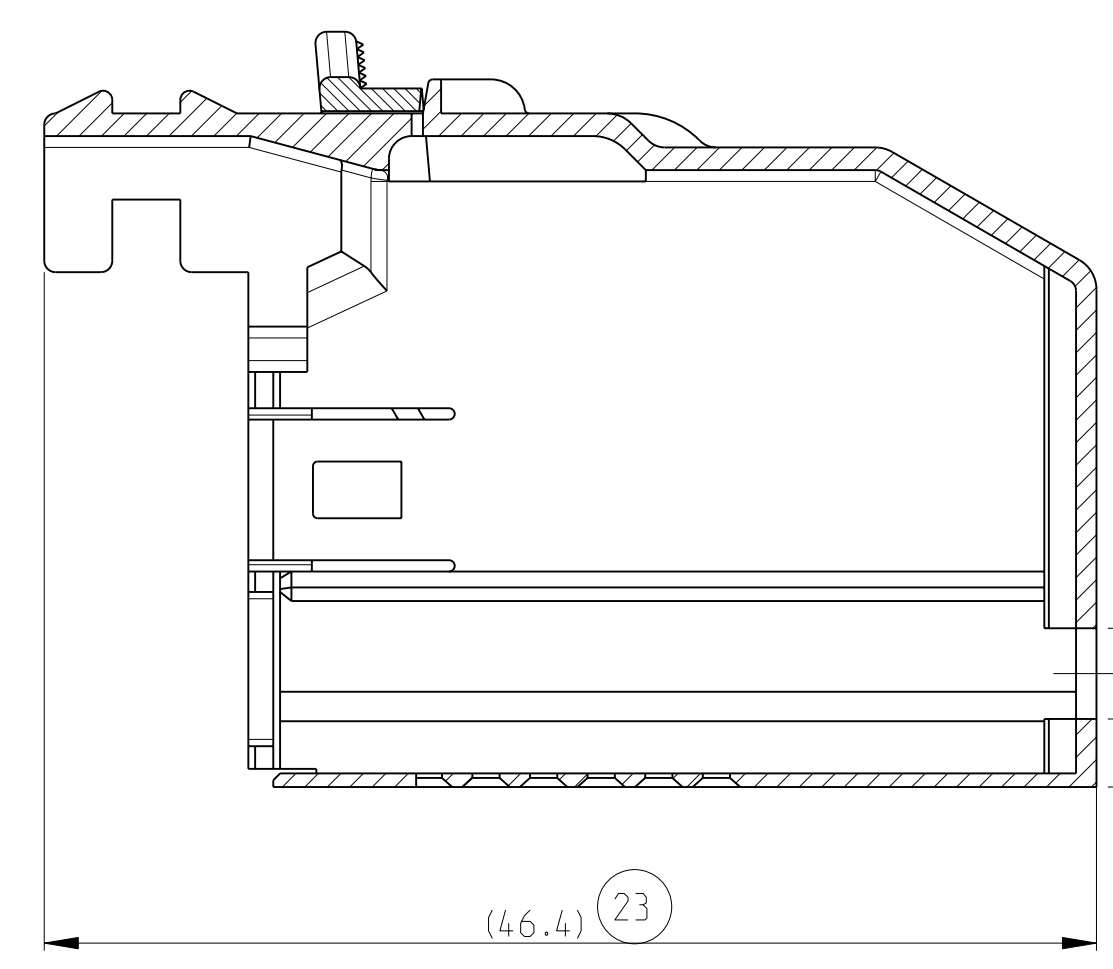
Email & Skype: info@chipsmall.com Web: www.chipsmall.com

Address: A1208, Overseas Decoration Building, #122 Zhenhua RD., Futian, Shenzhen, China

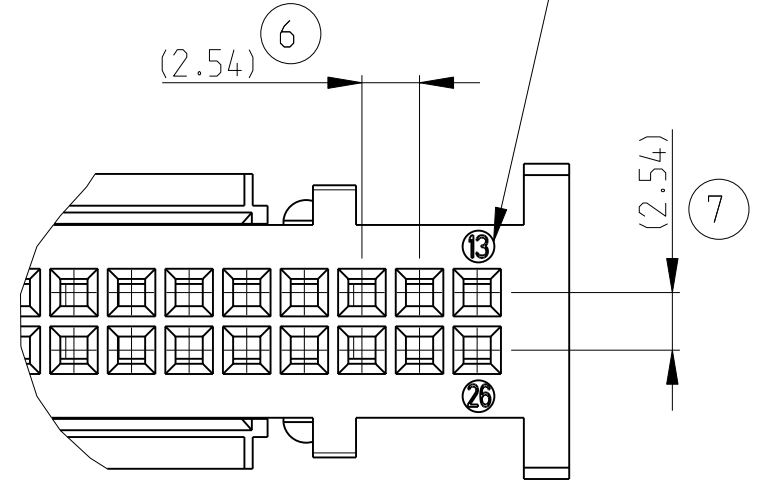


LOC	DIST	REV	DESCRIPTION	DATE	OWN	APVD
F	00	B	UPDATE DOT VIEW	24DEC2008	P.B	JP P
		C	UPDATE DRAWING	10JUL2009	NS	XR

SECTION B-B

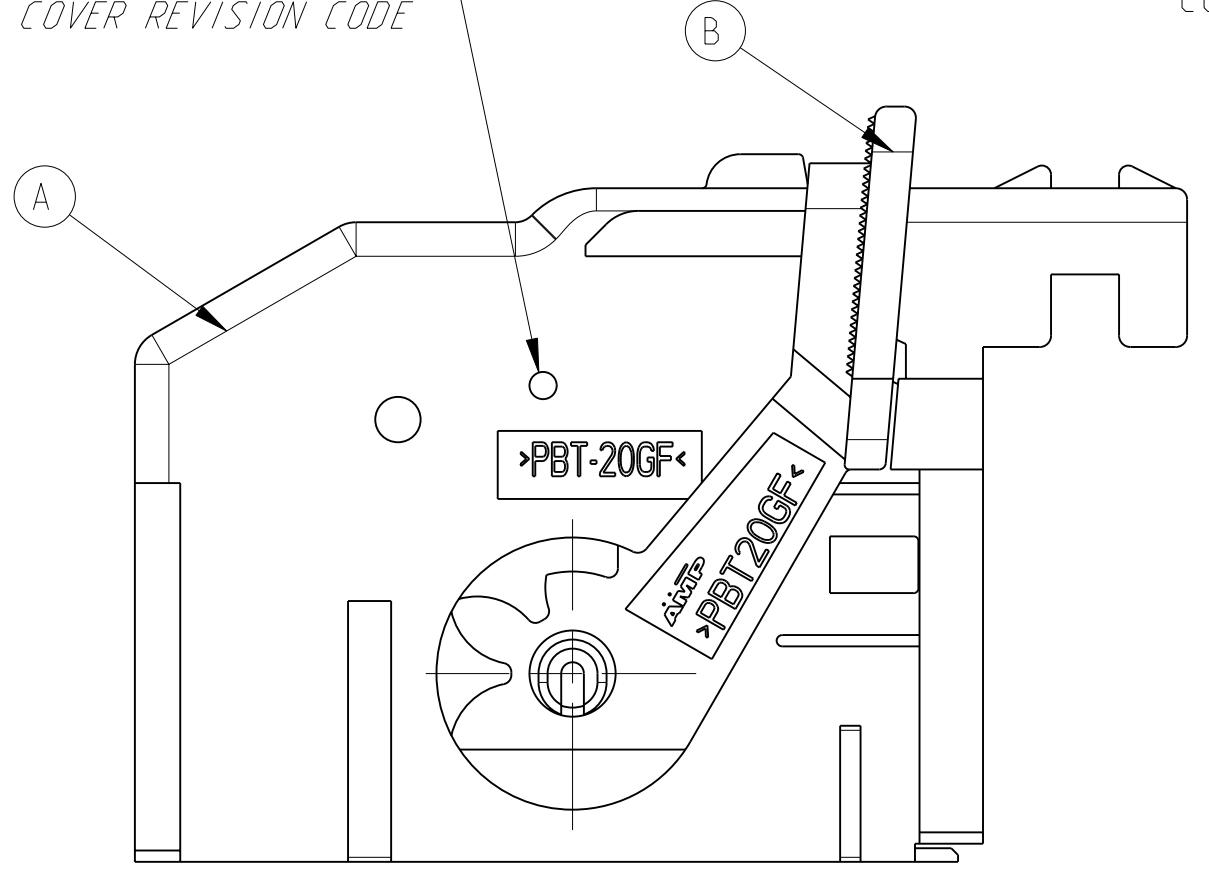


MARQUAGES DES ALVEOLES
CAVITIES NUMBER



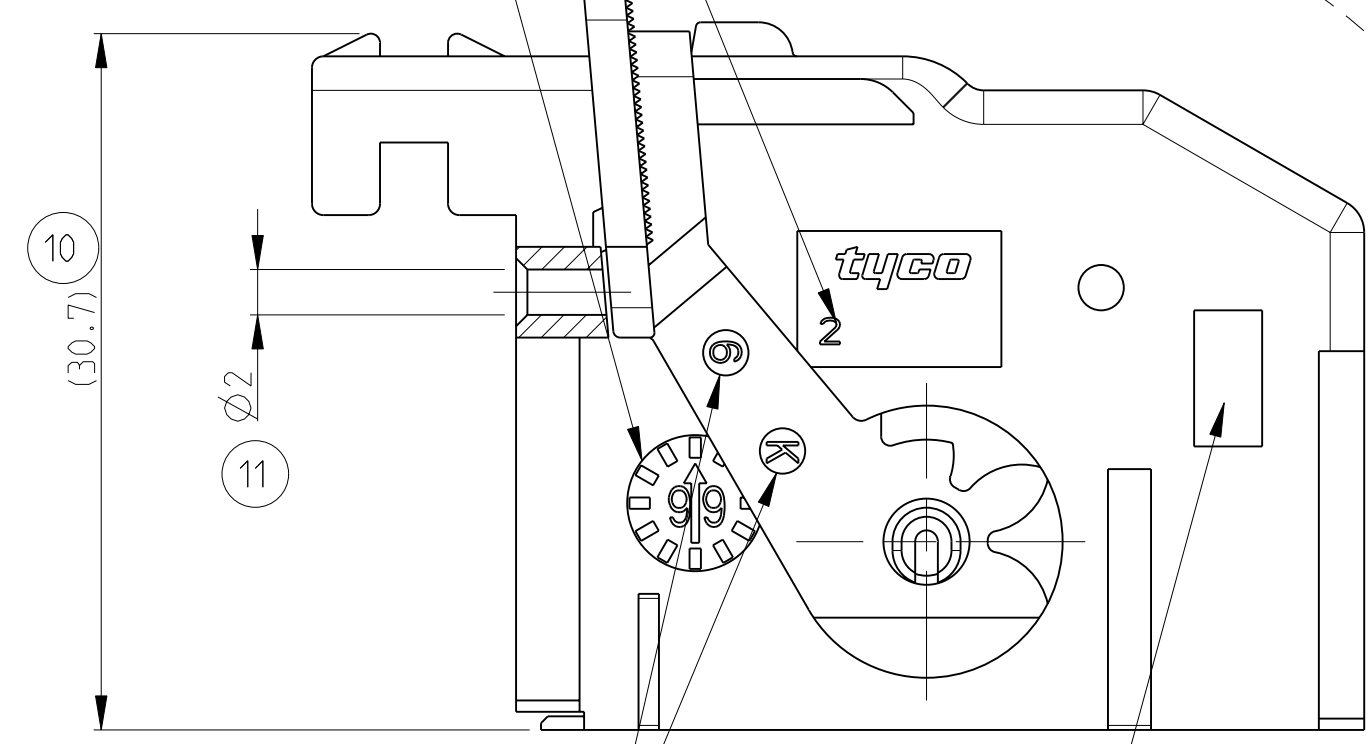
SECTION A-A

INDICE DU CAPOT
COVER REVISION CODE



N° D'EMPREINTE DU CAPOT
COVER MOLD CAVITY NUMBER

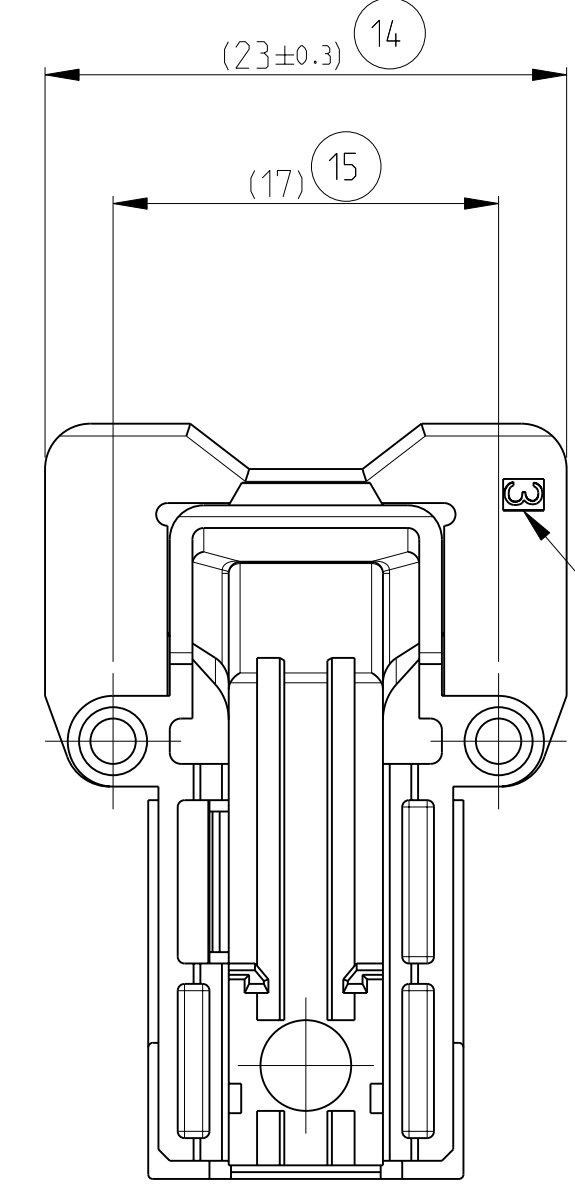
CODE DATE DE MOULAGE DU CAPOT
COVER MOLDING DATE CODE



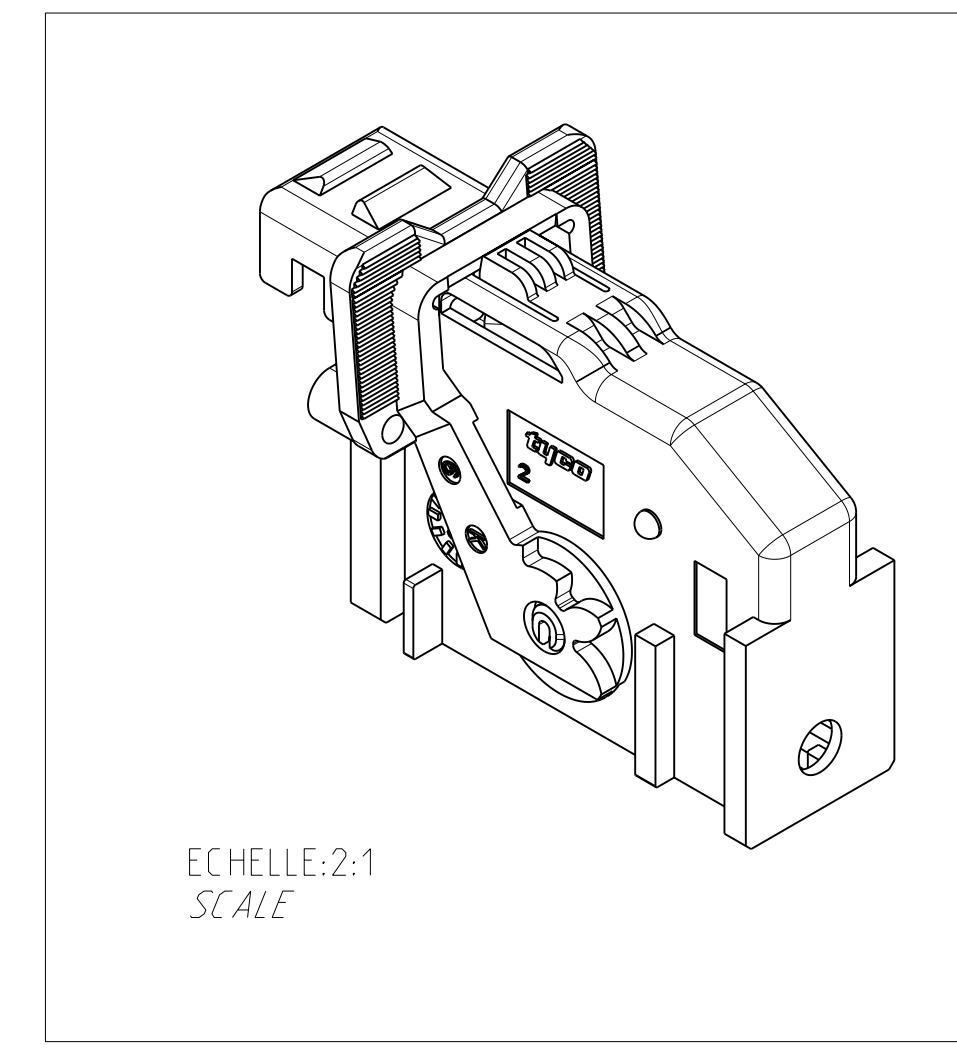
CODE DATE DE MOULAGE DU LEVIER
LEVER MOLDING DATE CODE

LOGO PSA OPTIONNEL
OPTIONAL PSA LOGO

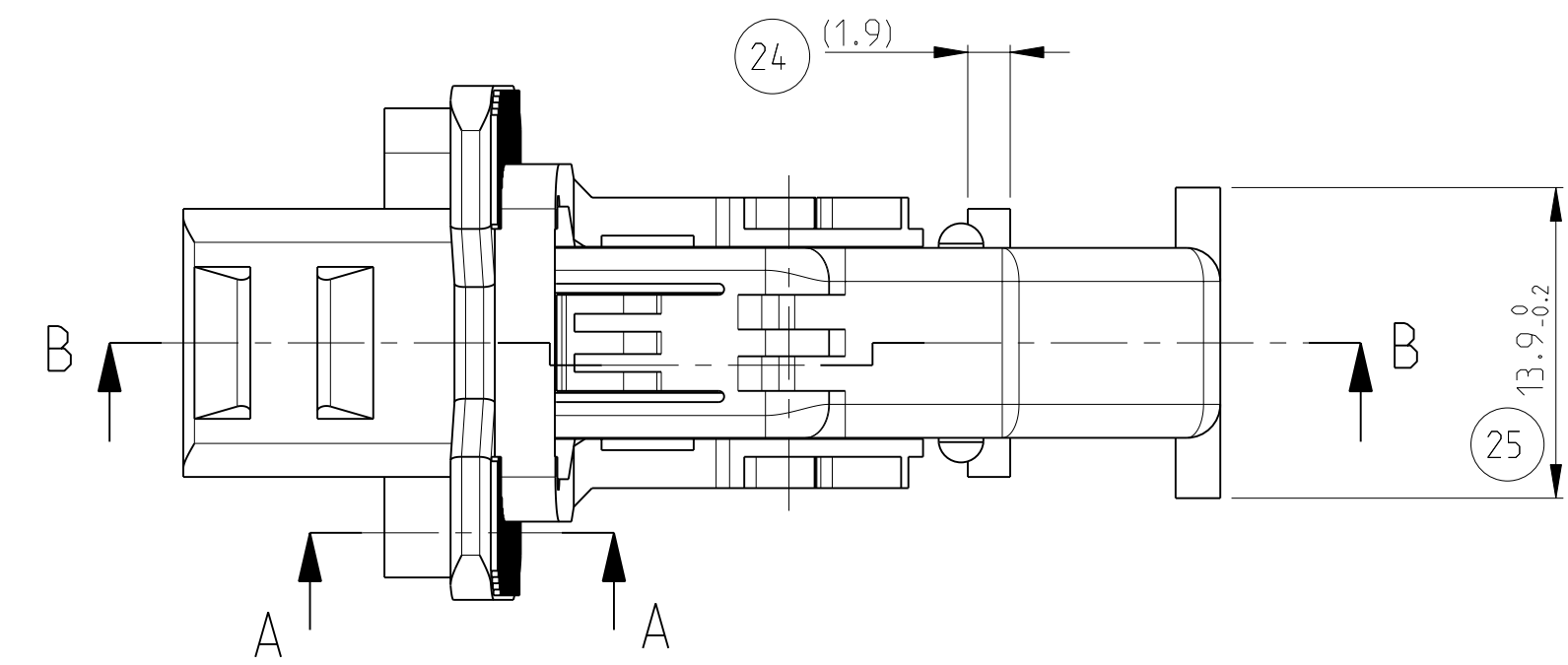
R 29.8 MAX
ENCOMBREMENT DU LEVIER
LEVER OVERAL DIMENSIONS



N° D'EMPREINTE DU LEVIER
LEVER MOLD CAVITY NUMBER



DESIGNATION DESCRIPTION	REP. ITEM	QTE QTY	MATIERE MATERIAL	REFERENCE TYCO ELECTRONICS TYCO ELECTRONICS PART NUMBER	COULEUR COLOR	DETROMPAGE POLARISATION
CAPOT COVER	A	1	PBT20%FV	185879-4	VERT GREEN	(27) 13.8.1
LEVIER LEVER	B	1	PBT20%FV	185879-4	NOIR BLACK	(28) 9.9.0.1
CAPOT COVER	A	1	PBT20%FV	185879-3	ROUGE RED	(29) 9.9.0.1
LEVIER LEVER	B	1	PBT20%FV	185879-3	NOIR BLACK	(30) 13.8.1
CAPOT COVER	A	1	PBT20%FV	185879-2	BLEU BLUE	(31) 13.8.1
LEVIER LEVER	B	1	PBT20%FV	185879-2	NOIR BLACK	(31) 13.8.1
CAPOT COVER	A	1	PBT20%FV	185879-1	JAUNE YELLOW	(32) 9.9.0.1
LEVIER LEVER	B	1	PBT20%FV	185879-1	NOIR BLACK	(32) 9.9.0.1



NOTE

1 - CABLAGE MAXI : 8 FILS DE SECTION 0.6 mm²
(DIA MAXI ISOLANT DE 1.9 mm)
POUR FORCE D'INSERTION MODULE/PORTE MODULE : F<20N
ET POUR ETRE EN CONFORMITE AVEC LA SPEC. 108-15158

- MAXIMAL CABLING : 8 WIRES SECTION 0.6mm²
(DIA MAXIMAL INSULATOR 1.9mm)
FOR THE INSERTION FORCE MODULE/ASSY COVER : F<20N
AND TO BE IN ACCORDANCE WITH THE SPEC. 108-15158

COMPOSANTS ASSOCIES MATING PARTS	
REF. TE TE PART NUMBER	DESIGNATION
185875-1	PORTE CLIP 26 VOIES MQS RECEPTACLE HSG 26 W MQS

185879-1 REPRESENTEE
AS SHOWN

<p>THIS DRAWING IS UNPUBLISHED. RELEASED FOR PUBLICATION BY TYCO ELECTRONICS CORPORATION. ALL RIGHTS RESERVED. 20</p>		<p>OWN/DESIGNE Philippe BACHELOT</p>		<p>DATE 23DEC2008</p>	
<p>DATE 23DEC2008</p>		<p>NAME JP PICAUD</p>		<p>TYCO ELECTRONICS Tyco Electronics France SAS 95300 Pontoise, France</p>	
<p>PRODUCT SPEC 108-15158</p>		<p>APVD APPROVE JP PICAUD</p>		<p>ASSEMBLY COVER 26W MQS GENE 2 PORTE MODULE 26 VOIES MQS GENE 2</p>	
<p>APPLICATION SPEC 411-15581</p>		<p>SIZE A1</p>		<p>RESTRICTED TO RESERVE A</p>	
<p>MATERIAL -</p>		<p>FINISH -</p>		<p>WEIGHT MASSE APPROX. 6.3 gr</p>	
<p>DIMENSIONS mm</p>		<p>TOLERANCES UNLESS OTHERWISE SPECIFIED: TOLERANCES NON SPECIFIEES</p>		<p>CUSTOMER DRAWING /PLAN CLIENT</p>	
<p>SCALE Echelle 2:1</p>		<p>UNIVERSITY FOUR REFERENCE</p>		<p>SCALE 2:1 SHEET FEUILLE 1 OF 1 REV C</p>	