



Chipsmall Limited consists of a professional team with an average of over 10 year of expertise in the distribution of electronic components. Based in Hongkong, we have already established firm and mutual-benefit business relationships with customers from,Europe,America and south Asia,supplying obsolete and hard-to-find components to meet their specific needs.

With the principle of "Quality Parts,Customers Priority,Honest Operation,and Considerate Service",our business mainly focus on the distribution of electronic components. Line cards we deal with include Microchip,ALPS,ROHM,Xilinx,Pulse,ON,Everlight and Freescale. Main products comprise IC,Modules,Potentiometer,IC Socket,Relay,Connector.Our parts cover such applications as commercial,industrial, and automotives areas.

We are looking forward to setting up business relationship with you and hope to provide you with the best service and solution. Let us make a better world for our industry!



Contact us

Tel: +86-755-8981 8866 Fax: +86-755-8427 6832

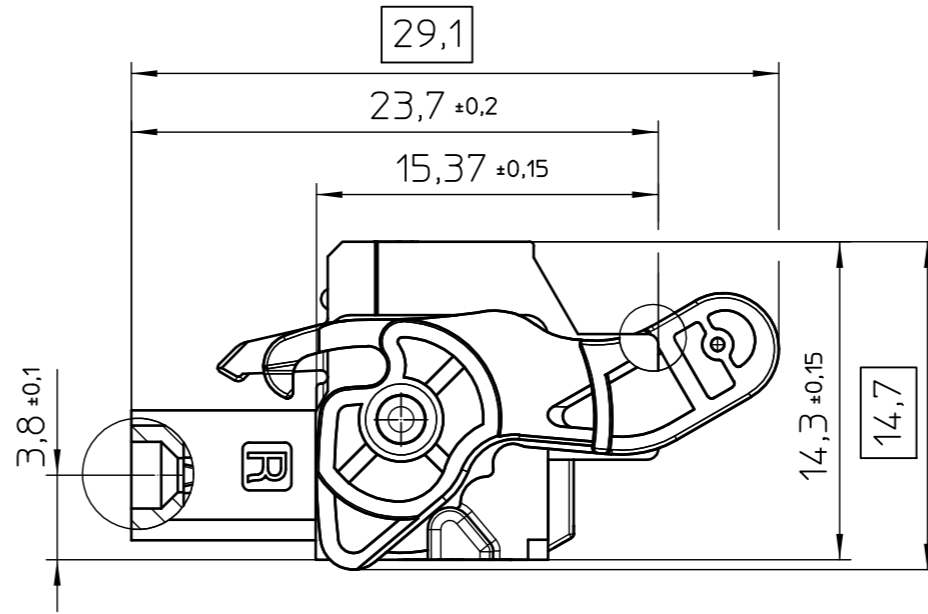
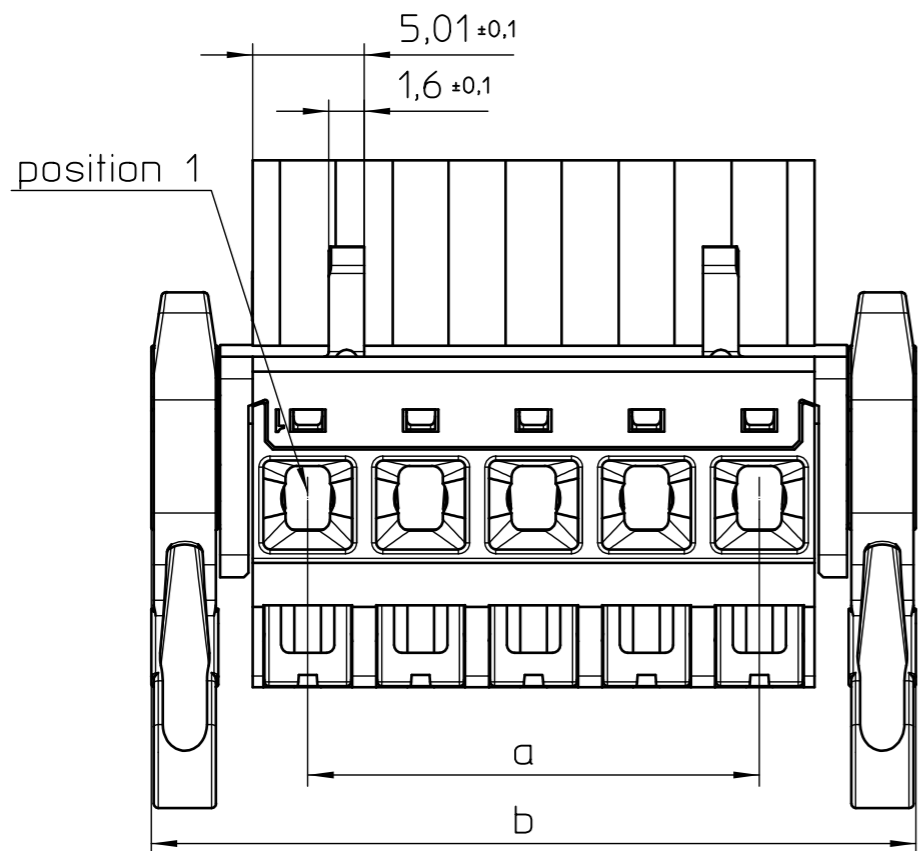
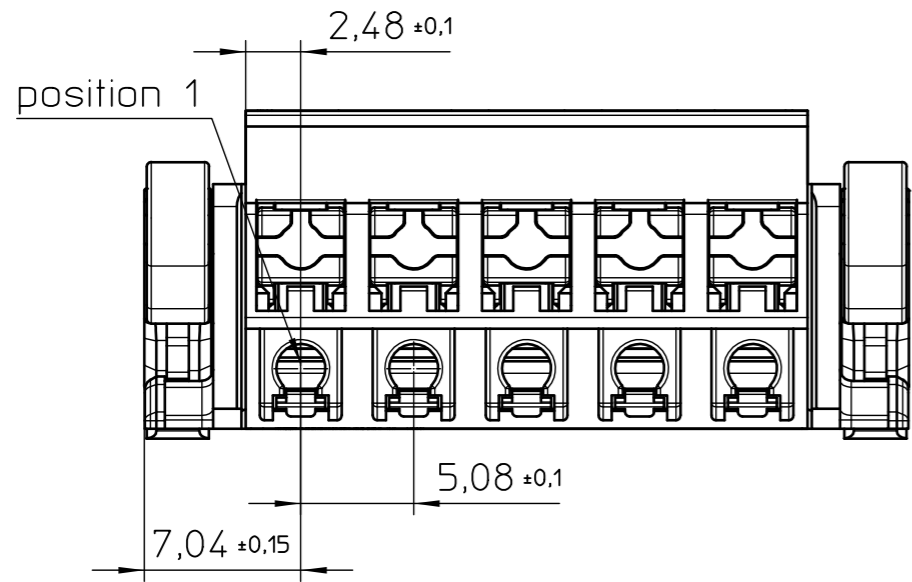
Email & Skype: info@chipsmall.com Web: www.chipsmall.com

Address: A1208, Overseas Decoration Building, #122 Zhenhua RD., Futian, Shenzhen, China



Transfer or duplication of this document as well as the utilisation or communication of its content are not permitted unless express consent is granted. Violations give rise to claims for damages. All rights reserved in case of patent, utility model or design patent registrations.

Weitergabe sowie Vervielfältigung dieses Dokuments, Verwertung und Mitteilung seines Inhalts sind verboten, soweit nicht ausdrücklich gestattet. Zuwiderhandlungen verpflichten zu Schadenersatz. Alle Rechte für den Fall der Patent-, Gebrauchsmuster- oder Designeintragung vorbehalten.



pos.	dim. a	dim. b
2	5,08 ±0,10	19,16 ±0,20
3	10,16 ±0,15	24,24 ±0,20
4	15,24 ±0,15	29,32 ±0,20
5	20,32 ±0,20	34,40 ±0,20
6	25,40 ±0,20	39,48 ±0,20
7	30,48 ±0,20	44,56 ±0,20
8	35,56 ±0,20	49,64 ±0,20
9	40,64 ±0,20	54,72 ±0,25
10	45,72 ±0,20	59,80 ±0,25
11	50,80 ±0,25	64,88 ±0,25
12	55,88 ±0,25	69,96 ±0,25
13	60,96 ±0,25	75,04 ±0,25
14	66,04 ±0,25	80,12 ±0,40
15	71,12 ±0,25	85,20 ±0,40
16	76,20 ±0,25	90,28 ±0,40
17	81,28 ±0,40	95,36 ±0,40
18	86,36 ±0,40	100,44 ±0,40
19	91,44 ±0,40	105,52 ±0,40
20	96,52 ±0,40	110,60 ±0,40
21	101,60 ±0,40	115,68 ±0,40
22	106,68 ±0,40	120,76 ±0,50
23	111,76 ±0,40	125,84 ±0,50
24	116,84 ±0,40	130,92 ±0,50

General Information
 - Simplified representation
 - Document excluded from change process
 - Linear dimensions [mm]

	document-No. / Rl	date	scale
	00912291 / 00	08.03.2016	3:1
	document-type	description	
	TECDCOR 2D-PRODUCTFAMILY	FKCOR 2,5/..-ST-5,08-LR	
page 1	of 1		