



Chipsmall Limited consists of a professional team with an average of over 10 year of expertise in the distribution of electronic components. Based in Hongkong, we have already established firm and mutual-benefit business relationships with customers from,Europe,America and south Asia,supplying obsolete and hard-to-find components to meet their specific needs.

With the principle of "Quality Parts,Customers Priority,Honest Operation,and Considerate Service",our business mainly focus on the distribution of electronic components. Line cards we deal with include Microchip,ALPS,ROHM,Xilinx,Pulse,ON,Everlight and Freescale. Main products comprise IC,Modules,Potentiometer,IC Socket,Relay,Connector.Our parts cover such applications as commercial,industrial, and automotives areas.

We are looking forward to setting up business relationship with you and hope to provide you with the best service and solution. Let us make a better world for our industry!



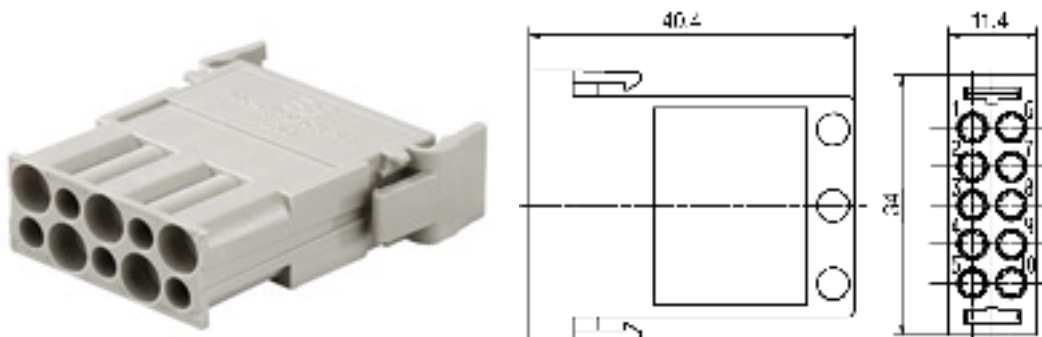
Contact us

Tel: +86-755-8981 8866 Fax: +86-755-8427 6832

Email & Skype: info@chipsmall.com Web: www.chipsmall.com

Address: A1208, Overseas Decoration Building, #122 Zhenhua RD., Futian, Shenzhen, China





General ordering data

Order No.	1862030000
Part designation	HDC CM 10 FC MR
Version	HDC insert, ConCept module
EAN	4032248425464
Qty.	10 pc(s).

Product notes

Note, ordering data	Order contacts separately
Note, technical data	For conductor cross-sections $\leq 0.75 \text{ mm}^2$, you must use wire-end ferrules at the connection to the PE conductor. When used properly and as designated, the listed connectors may not be connected or disconnected if there is a live voltage or load!
Product description	For conductor cross-sections $\leq 0.75 \text{ mm}^2$, you must use wire-end ferrules at the connection to the PE conductor.
Note, accessories	For additional accessories, refer to Accessories chapter.

Approvals

Approvals institutes



Classifications

ETIM 2.0	EC001121
ETIM 3.0	EC001121
eClass 4.1	27-14-08-05
eClass 5.0	27-14-34-19
eClass 5.1	27-14-34-19

Similar products

Order No.	Part designation	Version
1758410000	HDC CM 10 FC	HDC insert, ConCept module
1758400000	HDC CM 10 MC	HDC insert, ConCept module
1862050000	HDC CM 10 MC MR	HDC insert, ConCept module