



Chipsmall Limited consists of a professional team with an average of over 10 year of expertise in the distribution of electronic components. Based in Hongkong, we have already established firm and mutual-benefit business relationships with customers from,Europe,America and south Asia,supplying obsolete and hard-to-find components to meet their specific needs.

With the principle of "Quality Parts,Customers Priority,Honest Operation,and Considerate Service",our business mainly focus on the distribution of electronic components. Line cards we deal with include Microchip,ALPS,ROHM,Xilinx,Pulse,ON,Everlight and Freescale. Main products comprise IC,Modules,Potentiometer,IC Socket,Relay,Connector.Our parts cover such applications as commercial,industrial, and automotives areas.

We are looking forward to setting up business relationship with you and hope to provide you with the best service and solution. Let us make a better world for our industry!



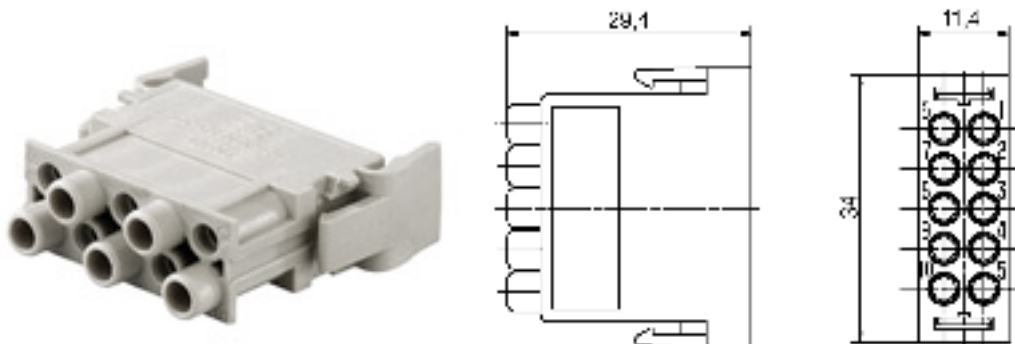
Contact us

Tel: +86-755-8981 8866 Fax: +86-755-8427 6832

Email & Skype: info@chipsmall.com Web: www.chipsmall.com

Address: A1208, Overseas Decoration Building, #122 Zhenhua RD., Futian, Shenzhen, China





General ordering data

| | |
|------------------|----------------------------|
| Order No. | 1862050000 |
| Part designation | HDC CM 10 MC MR |
| Version | HDC insert, ConCept module |
| EAN | 4032248425488 |
| Qty. | 10 pc(s). |

Product notes

| | |
|----------------------|--|
| Note, ordering data | Order contacts separately |
| Note, technical data | For conductor cross-sections $\leq 0.75 \text{ mm}^2$, you must use wire-end ferrules at the connection to the PE conductor. When used properly and as designated, the listed connectors may not be connected or disconnected if there is a live voltage or load! |
| Product description | For conductor cross-sections $\leq 0.75 \text{ mm}^2$, you must use wire-end ferrules at the connection to the PE conductor. |
| Note, accessories | For additional accessories, refer to Accessories chapter. |

Approvals

Approvals institutes



Classifications

| | |
|------------|-------------|
| ETIM 2.0 | EC001121 |
| ETIM 3.0 | EC001121 |
| eClass 4.1 | 27-14-08-05 |
| eClass 5.0 | 27-14-34-19 |
| eClass 5.1 | 27-14-34-19 |

Similar products

| Order No. | Part designation | Version |
|------------|------------------|----------------------------|
| 1758410000 | HDC CM 10 FC | HDC insert, ConCept module |
| 1862030000 | HDC CM 10 FC MR | HDC insert, ConCept module |
| 1758400000 | HDC CM 10 MC | HDC insert, ConCept module |