



Chipsmall Limited consists of a professional team with an average of over 10 year of expertise in the distribution of electronic components. Based in Hongkong, we have already established firm and mutual-benefit business relationships with customers from,Europe,America and south Asia,supplying obsolete and hard-to-find components to meet their specific needs.

With the principle of “Quality Parts,Customers Priority,Honest Operation,and Considerate Service”,our business mainly focus on the distribution of electronic components. Line cards we deal with include Microchip,ALPS,ROHM,Xilinx,Pulse,ON,Everlight and Freescale. Main products comprise IC,Modules,Potentiometer,IC Socket,Relay,Connector.Our parts cover such applications as commercial,industrial, and automotives areas.

We are looking forward to setting up business relationship with you and hope to provide you with the best service and solution. Let us make a better world for our industry!



## Contact us

Tel: +86-755-8981 8866 Fax: +86-755-8427 6832

Email & Skype: info@chipsmall.com Web: www.chipsmall.com

Address: A1208, Overseas Decoration Building, #122 Zhenhua RD., Futian, Shenzhen, China



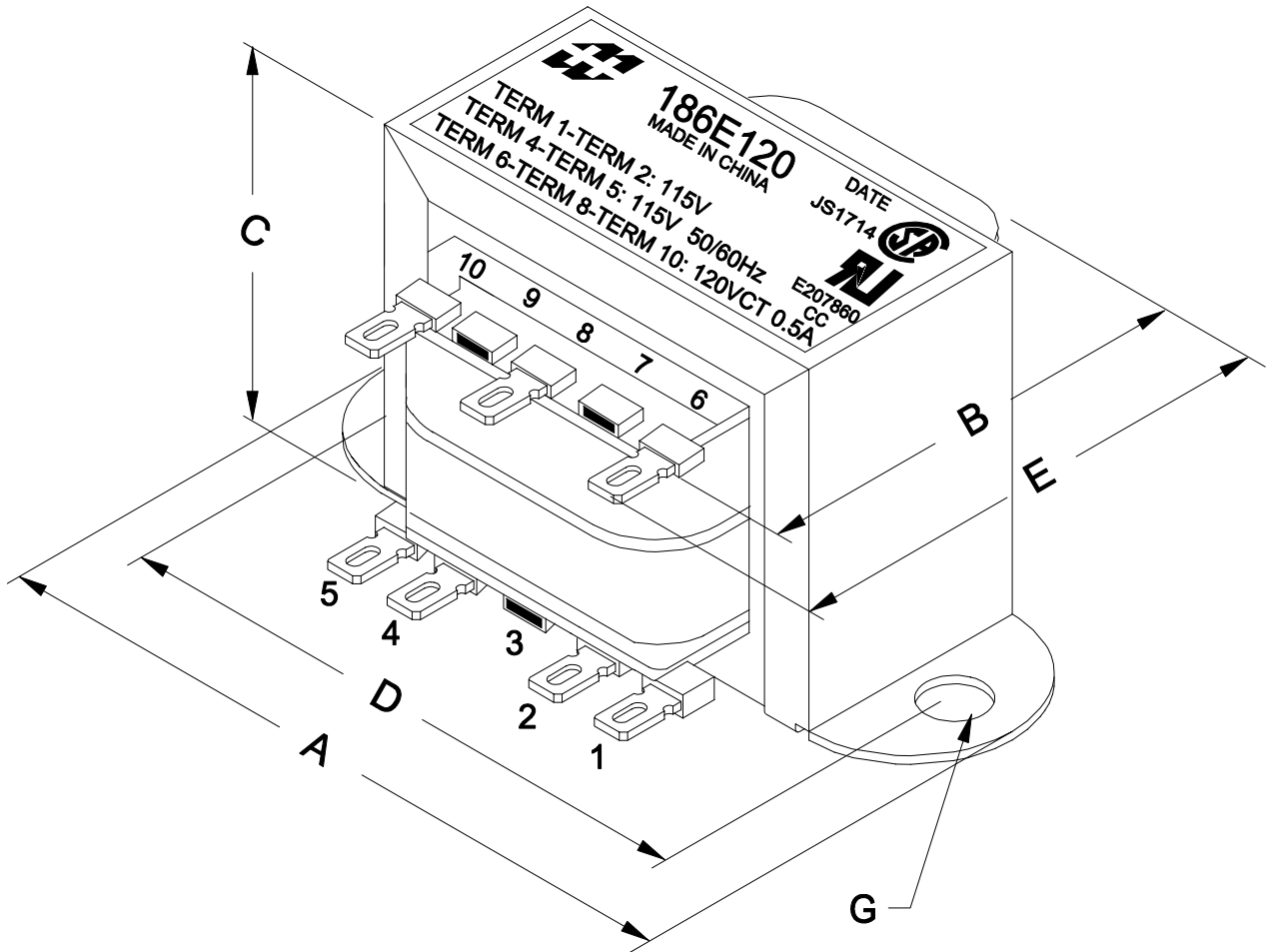
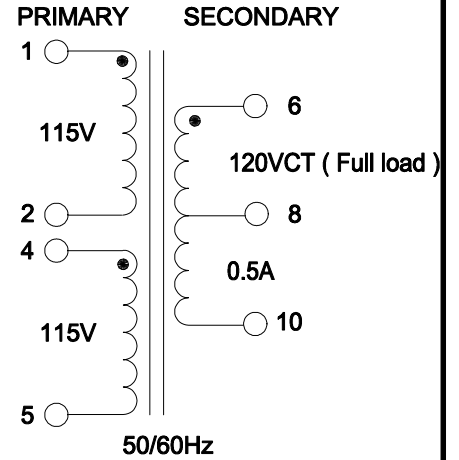
EDB186E120

**DIMENSIONS:**

A	3.688" ±0.063
B	1.850" ±0.125
C	2.308" ±0.063
D	3.125" ±0.063
E	2.209" ±0.125
G	0.187" ±0.015

**Notes:**

- Dielectric strength - Primary to secondary = 2500 Vac , 1 second , max leakage 6 mA.  
 Primary to Core = 2500 Vac  
 Primary to Primary = 500 Vac
- Resistance -Primary Term 1 - Term 2 = 17.12 ohms, Term 4 - 5 = 20.50 +/-20%  
 Secondary -Term 6 - 10 = 13.74 ohms +/- 20%
- Secondary No load voltage @ 115/230V primary , Term 6 - 10 = 138 Vac CT+/- 2%
- Exciting current- @ 115V , 60 Hz. = 127.2 mA max



**ELECTRONIC DIVISION**  
 52 RANKIN PLACE,  
 WATERLOO, ONTARIO, N2J 3Z5  
 PH # (519) 886-6181  
 FAX # (519) 886-9540

TITLE

186E120

NO	DATE	REVISION	DWG. BY
0	03/31/11	RELEASED.	C.I. CORINA ILIE
			DATE
			03/31/11
			DIM IN( )MM( )

EDB186E120