



Chipsmall Limited consists of a professional team with an average of over 10 year of expertise in the distribution of electronic components. Based in Hongkong, we have already established firm and mutual-benefit business relationships with customers from,Europe,America and south Asia,supplying obsolete and hard-to-find components to meet their specific needs.

With the principle of “Quality Parts,Customers Priority,Honest Operation,and Considerate Service”,our business mainly focus on the distribution of electronic components. Line cards we deal with include Microchip,ALPS,ROHM,Xilinx,Pulse,ON,Everlight and Freescale. Main products comprise IC,Modules,Potentiometer,IC Socket,Relay,Connector.Our parts cover such applications as commercial,industrial, and automotives areas.

We are looking forward to setting up business relationship with you and hope to provide you with the best service and solution. Let us make a better world for our industry!



Contact us

Tel: +86-755-8981 8866 Fax: +86-755-8427 6832

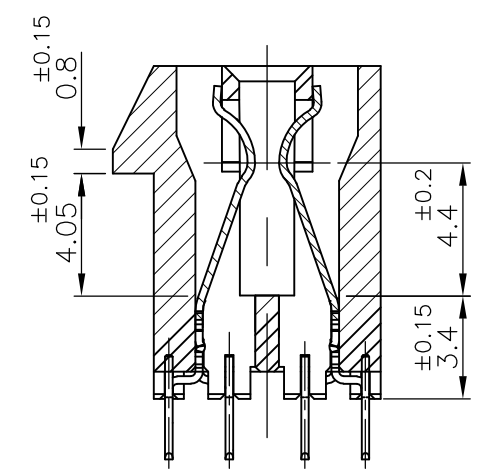
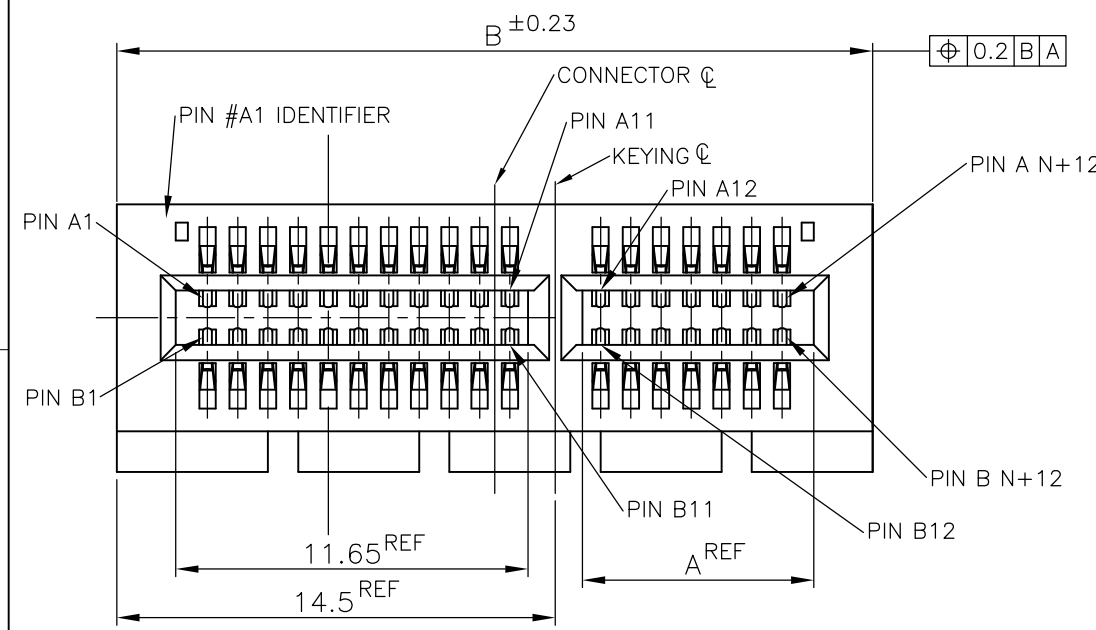
Email & Skype: info@chipsmall.com Web: www.chipsmall.com

Address: A1208, Overseas Decoration Building, #122 Zhenhua RD., Futian, Shenzhen, China

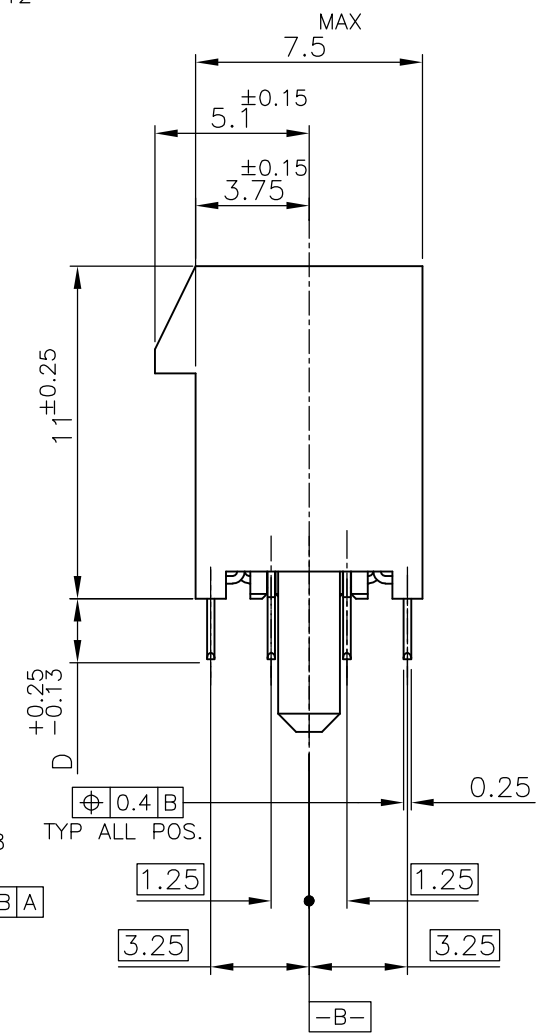
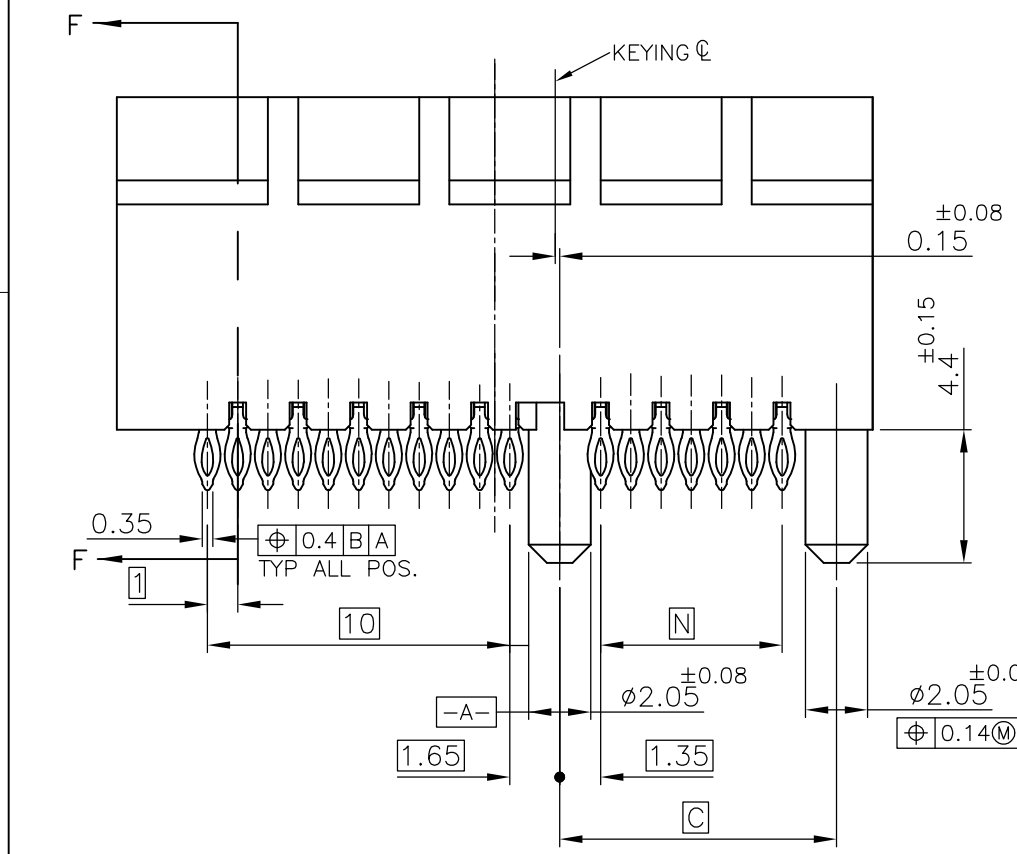


THIS DRAWING IS UNPUBLISHED. RELEASED FOR PUBLICATION JUN ,2005.
 © COPYRIGHT 2005 By - ALL RIGHTS RESERVED.

LOC	DIST	REVISIONS					
J	/	P	LTR	DESCRIPTION	DATE	DWN	APVD
		H		PER ECR-14-006136	25APR2014	HS	FY

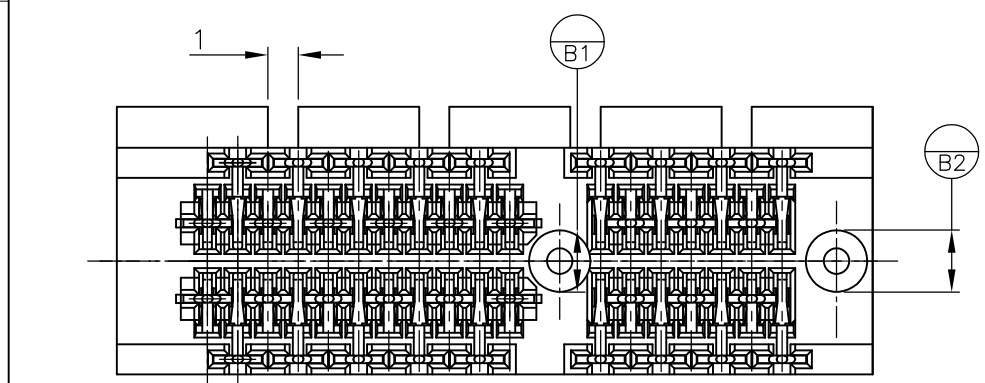


- ① MATERIAL;
HOUSING: HIGH TEMPERATURE THERMO PLASTIC
UL94V-0, COLOR; BLACK
CONTACT: COPPER ALLOY
- ② FINISH;
CONTACT AREA: GOLD PL.0.76μm MIN OVER NICKEL PL.
COMPLIANT PIN ACTION AREA: 0.5μm MIN MATTE TIN OVER NICKEL PL.
- ③ NOT SPECIFY BY PCI EXPRESS STANDARD
- ⑤ FINISH;
CONTACT AREA: GOLD PL.0.76μm MIN OVER NICKEL PL.
COMPLIANT PIN ACTION AREA: 0.5μm MIN BRIGHT TIN-LEAD OVER NICKEL PL.
- ⑫ FINISH;
CONTACT AREA: GOLD PL.0.38μm MIN OVER NICKEL PL.
COMPLIANT PIN ACTION AREA: 0.5μm MIN MATTE TIN OVER NICKEL PL.



13 CONNECTOR HAS MET THE REQUIREMENTS PER PCI EXPRESS GEN 2 TECHNICAL DOCUMENT.
 14 THE 2.0mm PF VERSIONS ARE GEN2 AND GEN3 COMPLIANT.

⑫	PRODUCING	37	2.0	40.15	56	38.65	98	8	6-	-3	
⑫	PRODUCING	70	↑	73.15	89	71.65	164	16	5-	-4	
OBSOLETE	↑	PRODUCING	70		73.15	89	71.65	164	16	3-	-4
OBSOLETE	⑤	PRODUCING	37		40.15	56	38.65	98	8	3-	-3
③	↑	PRODUCING	128		131.15	147	129.65	280	1-	-5	
		PRODUCING	70		73.15	89	71.65	164	16	1-	-4
		PRODUCING	37	3.25	40.15	56	38.65	98	8	1-1871058	-3
		PRODUCING	20	↑	23.15	39	21.65	64	4	1-	-2
		PRODUCING	6	3.25	9.15	25	7.65	36	1	1-	-1
		PRELIMINARY	76	↑	79.15	95	77.65	176	16		-7
③	↑	PRODUCING	128		131.15	147	129.65	280			-5
		PRODUCING	70		73.15	89	71.65	164	16		-4
		PRODUCING	37	2.0	40.15	56	38.65	98	8	1871058-3	
		PRODUCING	20	↑	23.15	39	21.65	64	4		-2
②	↑	PRELIMINARY	6	2.0	9.15	25	7.65	36	1	1871058-1	
FINISH	TOOLING STATUS	N	D	C	B	A	POS.	PORT	P/N		



THIS DRAWING IS A CONTROLLED DOCUMENT.

DWN T.KATANO 02DEC05
 CHK R.MURAYAMA 02DEC05
 APVD K.KODAIRA 02DEC05

NAME 名称: PCI EXPRESS CARD EDGE CONN. WITH COMPLIANT PIN V-TYPE

PRODUCT SPEC 製品規格: 108-78340

APPLICATION SPEC 取付適用規格

WEIGHT

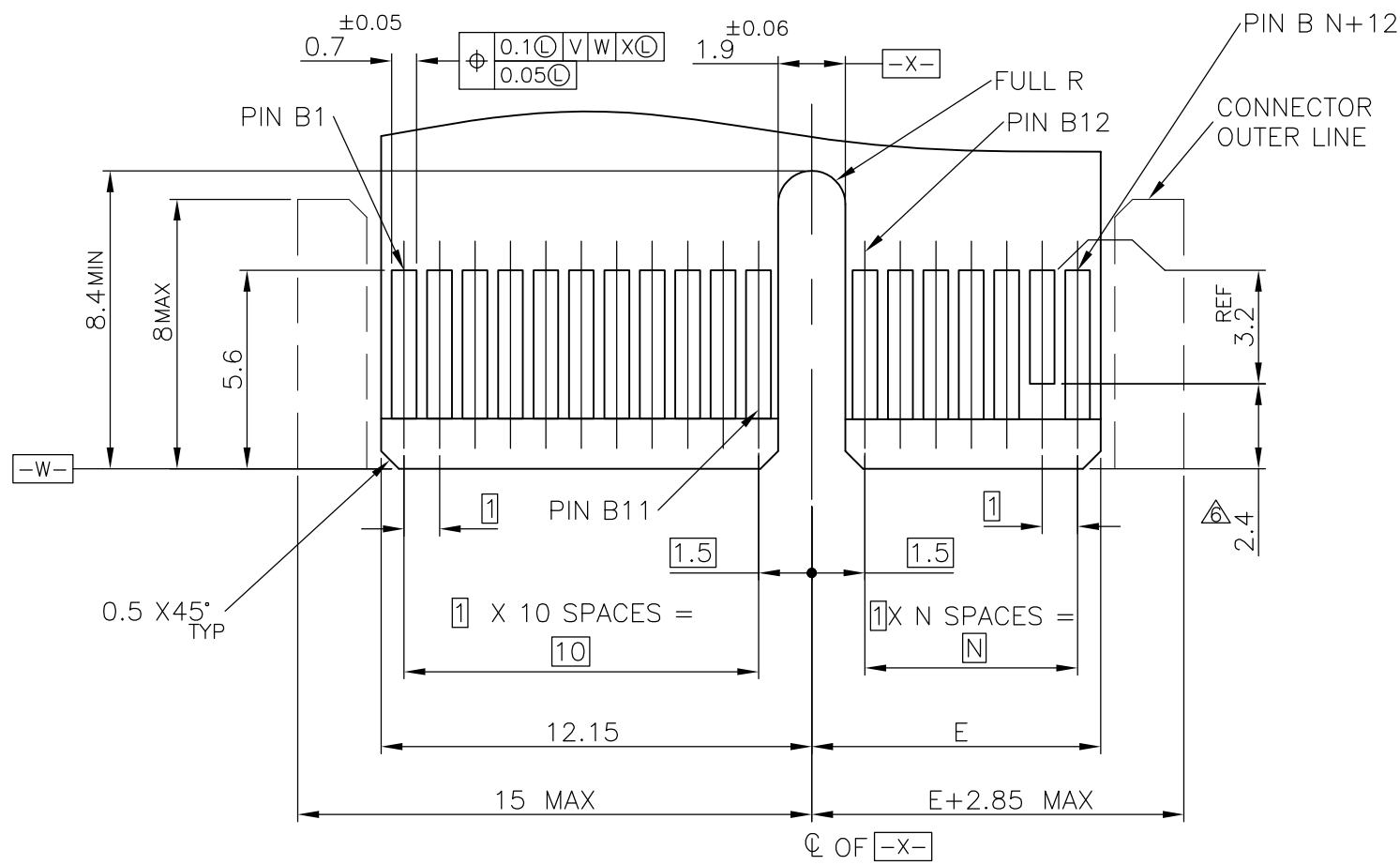
SIZE A3 CAGE CODE 00779 DRAWING NO 番号 C-1871058 RESTRICTED TO

MATERIAL 材料 ① FINISH 仕上 SEE NOTE 2 CUSTOMER DRAWING

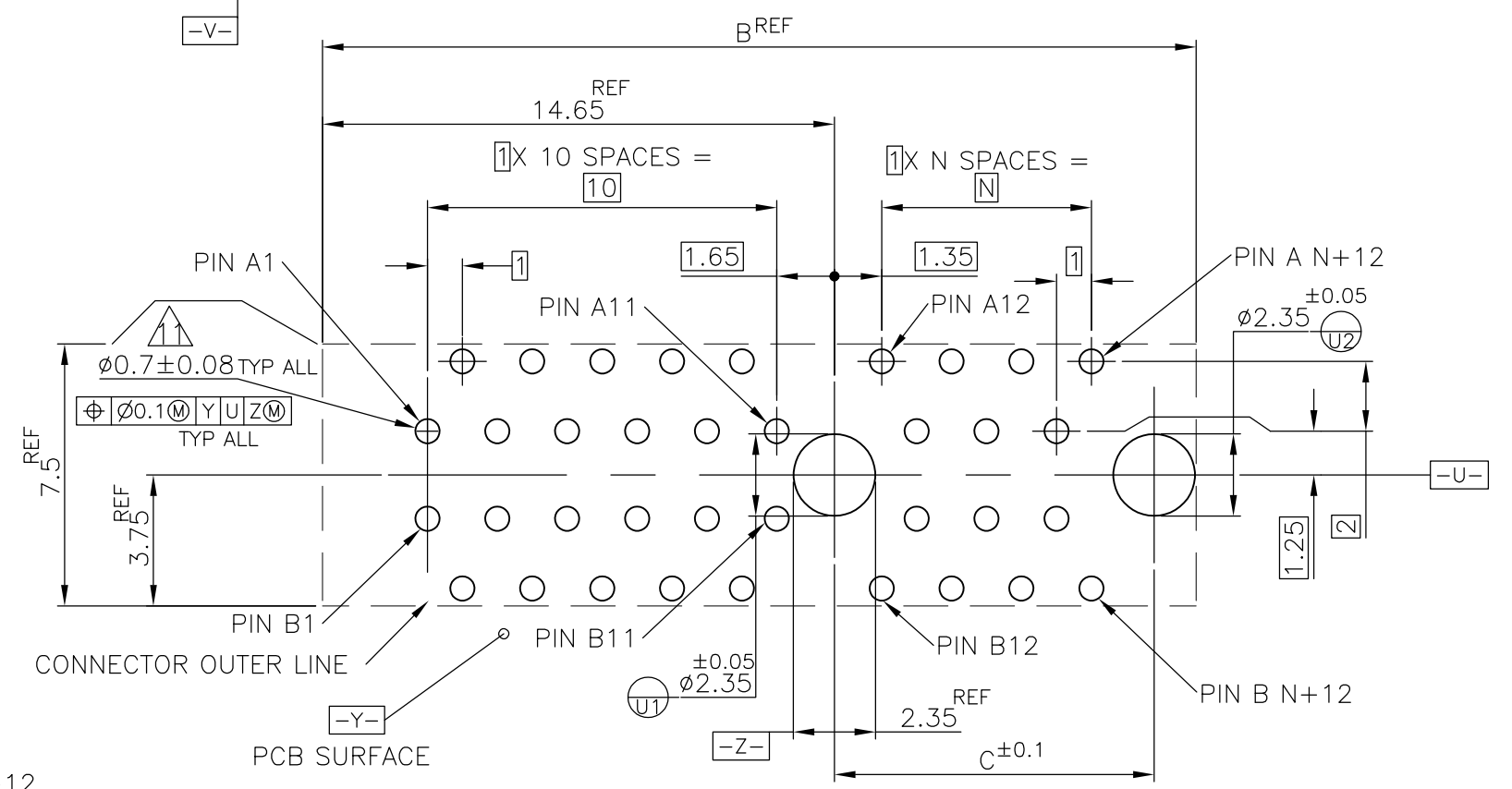
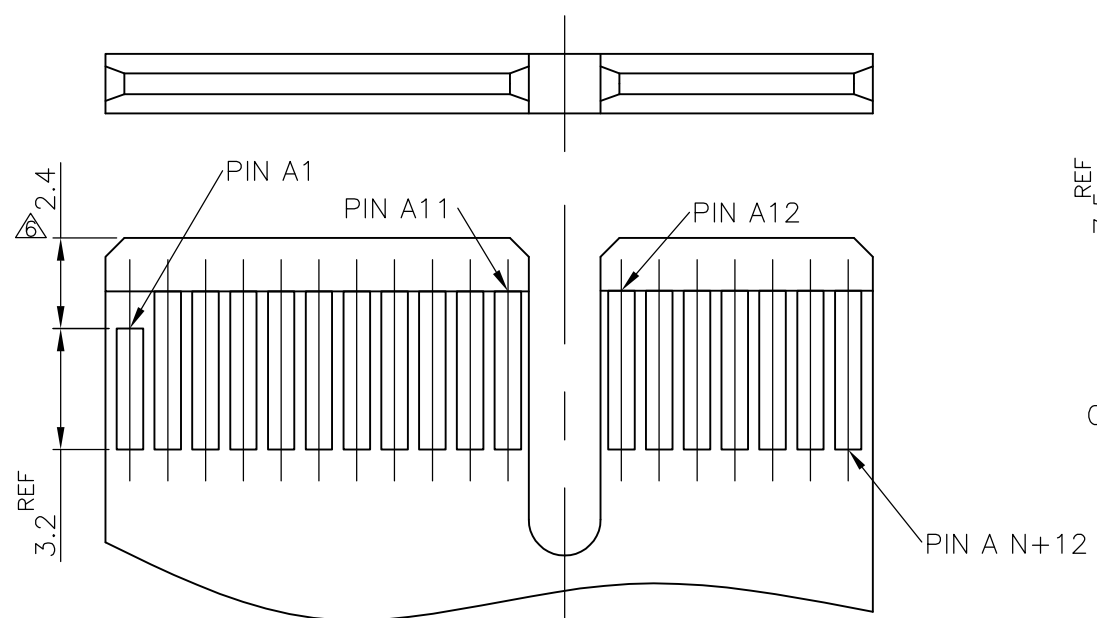
SCALE 尺度 4:1 SHEET 1 OF 2 REV H

THIS DRAWING IS UNPUBLISHED. RELEASED FOR PUBLICATION JUN , 2005.
 © COPYRIGHT 2005 By - ALL RIGHTS RESERVED.

LOC	DIST	REVISIONS			DATE	DWN	APVD
J	/	P	LTR	DESCRIPTION			
		-		SEE SHEET 1	-	-	-



- △ THIS DIMENSION IS ONLY APPLIED TO PRSNT PINS.
- △ CARD THICKNESS APPLIES ACROSS TABS AND INCLUDES PLATING AND/OR METALIZATION.
- △ CHAMFER EDGES MUST BE FREE OF CUTTING BURRS.
- 9 NO TIE BAR PERMITTED FROM CARD EDGE TO LEADING EDGE OF PAD FOR PRSNT PIN.
- 10 APPLICATION NOTE;
 GOLD CONTACT PAD : ELECTROLESS GOLD PLATING 0.05μm MIN. OVER ELECTROLESS Ni PLATING 2μm MIN.
- △ DRILLED HOLE DIA.: 0.77 TO 0.83
 COPPER PLATING: 0.025 TO 0.075mm.
 FINISHED HOLE DIA. AFTER PLATING: 0.62 TO 0.78 DIA.



PCB PATTERN LAYOUT (THICKNESS : 1.6mm MIN)

MODULE LAYOUT(MATING PART ONLY)

NOT SPECIFY BY PCI EXPRESS STANDARD

A1,B17,B31,B48,B81,B139	130.15	131.15	147	128	280		
A1,B17,B31,B48,B81,B87	78.15	79.15	95	76	176	16	
A1,B17,B31,B48,B81	72.15	73.15	89	70	164	16	
A1,B17,B31,B48	39.15	40.15	56	37	98	8	
A1,B17,B31	22.15	23.15	39	20	64	4	
A1,B17	8.15	9.15	25	6	36	1	
PRSNT PIN	E	C	B	N	POS.	PORT	

THIS DRAWING IS A CONTROLLED DOCUMENT.

DIMENSIONS: 單位: 耗 mm	TOLERANCES UNLESS OTHERWISE SPECIFIED: 一般公差	DWN	TE Connectivity			
	0-PLC ± ±0.13 1-PLC ± ±1 2-PLC ± 3-PLC ± 4-PLC ± ANGLES ±	CHK	NAME 名称			
	MATERIAL 材料	FINISH 仕上	APVD	PCI EXPRESS CARD EDGE CONN. WITH COMPLIANT PIN V-TYPE		
		PRODUCT SPEC 製品規格	SIZE	CAGE CODE	DRAWING NO 番号	RESTRICTED TO
		APPLICATION SPEC 取付適用規格	A300779		C-1871058	
		WEIGHT	CUSTOMER DRAWING		SCALE 尺度 8:1	SHEET 2 OF 2
					REV H	