



Chipsmall Limited consists of a professional team with an average of over 10 year of expertise in the distribution of electronic components. Based in Hongkong, we have already established firm and mutual-benefit business relationships with customers from,Europe,America and south Asia,supplying obsolete and hard-to-find components to meet their specific needs.

With the principle of “Quality Parts,Customers Priority,Honest Operation,and Considerate Service”,our business mainly focus on the distribution of electronic components. Line cards we deal with include Microchip,ALPS,ROHM,Xilinx,Pulse,ON,Everlight and Freescale. Main products comprise IC,Modules,Potentiometer,IC Socket,Relay,Connector.Our parts cover such applications as commercial,industrial, and automotives areas.

We are looking forward to setting up business relationship with you and hope to provide you with the best service and solution. Let us make a better world for our industry!



Contact us

Tel: +86-755-8981 8866 Fax: +86-755-8427 6832

Email & Skype: info@chipsmall.com Web: www.chipsmall.com

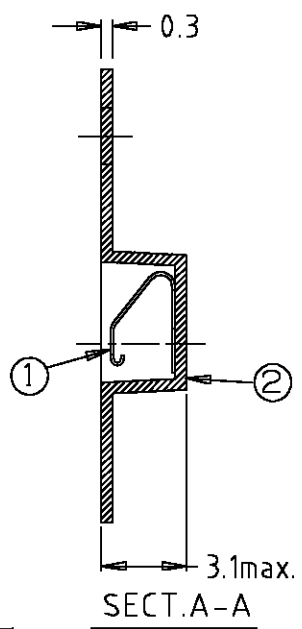
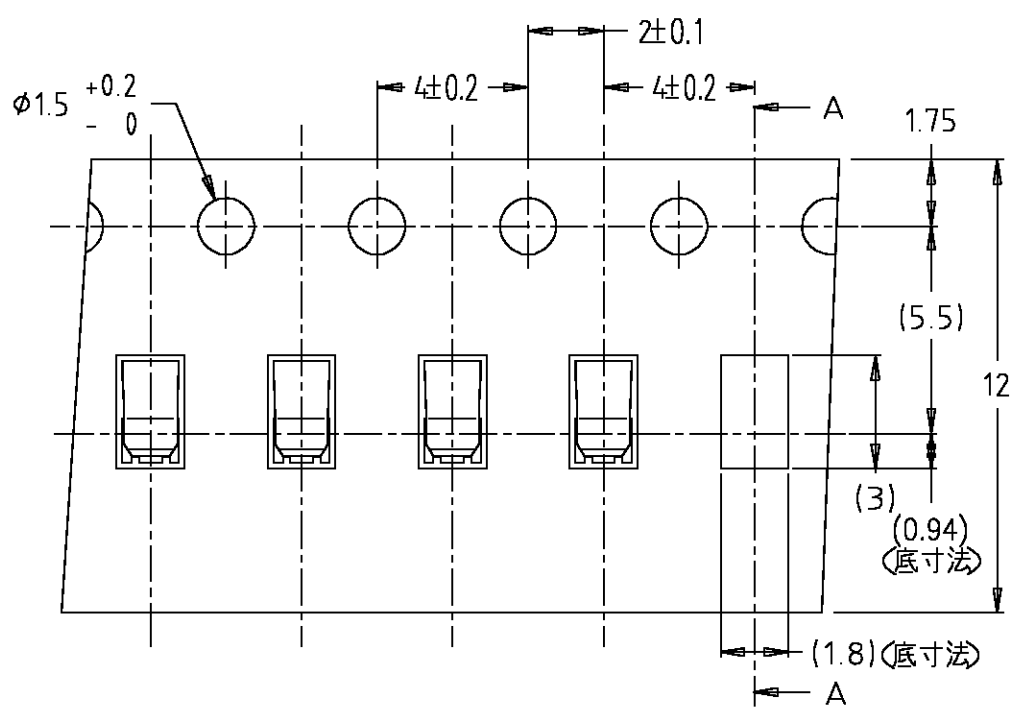
Address: A1208, Overseas Decoration Building, #122 Zhenhua RD., Futian, Shenzhen, China



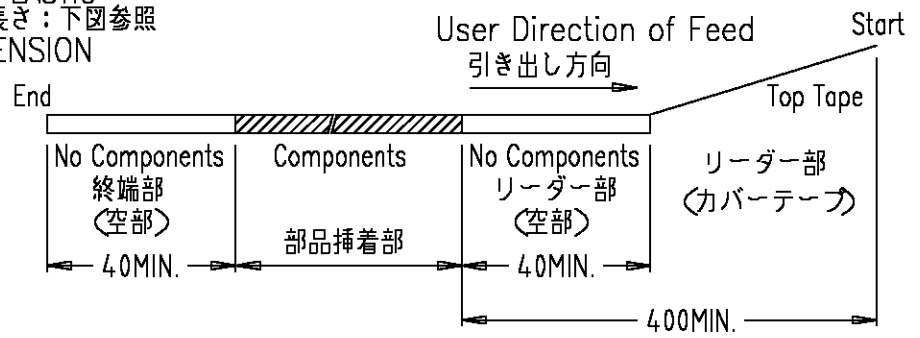
THIS DRAWING IS UNPUBLISHED. RELEASED FOR PUBLICATION
 © COPYRIGHT BY TYCO ELECTRONICS CORPORATION. ALL RIGHTS RESERVED.

LOC	DIST	REVISIONS					
		P	LTR	DESCRIPTION	DATE	DWN	APVD
J	-		A	RELEASED	10MAY05	Y.H	T.K

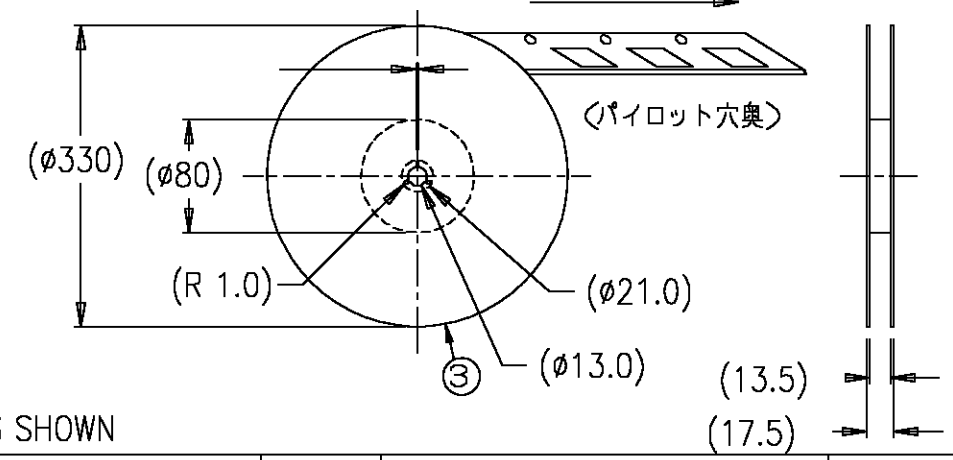
User Direction of Feed
 引き出し方向



- 注記
 NOTE
1. 一般公差: ± 0.3
 1. GENERAL TOLERANCE: ± 0.3
 2. 梱包数量: 5,000ケ/リール
 2. PACKING STYLE: 5,000pcs/reel
 3. 材質:
 MATERIAL:
 シールドフィンガー: 銅合金(下地: $1.3 \mu\text{mMIN Ni}$, 接触部: $0.5 \mu\text{mMIN Au}$, 半田部: $0.05 \mu\text{mMIN Au FRASH}$)
 SHIELD FINGER: COPPER ALLOY (UNDER PLATING: $1.3 \mu\text{mMIN Ni}$)
 (CONTACT AREA: $0.5 \mu\text{mMIN Au}$, SOLDERING AREA: $0.05 \mu\text{mMIN Au FRASH}$)
 キャリアテープ: アクリル系フィルム
 CARRIER TAPE: ACRYLIC FILM
 カバーテープ: PETフィルム
 TOP TAPE: PET FILM
 リール: プラリール
 REEL: PLASTIC
 4. リードテープ長さ: 下図参照
 4. TAPES DIMENSION



5. リール参考寸法: 下図参照
 5. REEL DIMENSION: REFERENCE ONLY



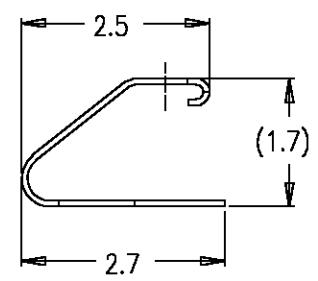
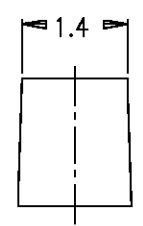
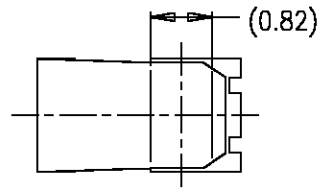
-1: AS SHOWN

1871059-1	③	リール REEL	1
	②	エンボスキャリアテープ CARRIER TAPE	5000POCKETS WITH PRODUCT CHARGE
	①	シールドフィンガー 1715 SHIELD FINGER 1715	5000PCS
テーピング梱包型番 PACKAGING Cat.No.	No.	名称 DESIGNATION	数量 QUANTITY

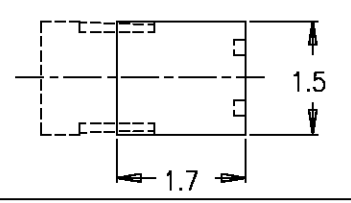
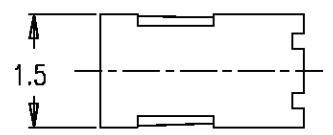
シールドフィンガー1715
 SHIELD FINGER 1715

旧型番: 3400196
 OLD CAT.NO.3400196

S=10/1



参考パッド寸法(公差 ± 0.5)
 RECOMMENDED FOOT PRINT
 REFERENCE ONLY



THIS DRAWING IS A CONTROLLED DOCUMENT.		DWN Y.HARADA 28MAR05	Tyco Electronics AMP K.K. Kawasaki, Japan	
DIMENSIONS: 単位: 耗 mm		CHK T.KIMURA 28MAR05	NAME 名称	
TOLERANCES UNLESS OTHERWISE SPECIFIED: 一般公差		APVD T.KIMURA 28MAR05	PACKAGING OF SHIELD FINGER 1715 ON CONTINUOUS TAPES	
0 PLC \pm		PRODUCT SPEC 製品規格	SIZE A3	CAGE CODE 00779
1 PLC \pm		APPLICATION SPEC 取付適用規格	DRAWING NO 番号 C-1871059	RESTRICTED TO
2 PLC \pm		WEIGHT -	SCALE 尺度 5:1	SHEET 1 OF 1
3 PLC \pm		MATERIAL 材料 ③	REV A	
4 PLC \pm			CUSTOMER DRAWING	
ANGLES \pm				
FINISH 仕上 -				