



Chipsmall Limited consists of a professional team with an average of over 10 year of expertise in the distribution of electronic components. Based in Hongkong, we have already established firm and mutual-benefit business relationships with customers from,Europe,America and south Asia,supplying obsolete and hard-to-find components to meet their specific needs.

With the principle of “Quality Parts,Customers Priority,Honest Operation,and Considerate Service”,our business mainly focus on the distribution of electronic components. Line cards we deal with include Microchip,ALPS,ROHM,Xilinx,Pulse,ON,Everlight and Freescale. Main products comprise IC,Modules,Potentiometer,IC Socket,Relay,Connector.Our parts cover such applications as commercial,industrial, and automotives areas.

We are looking forward to setting up business relationship with you and hope to provide you with the best service and solution. Let us make a better world for our industry!



Contact us

Tel: +86-755-8981 8866 Fax: +86-755-8427 6832

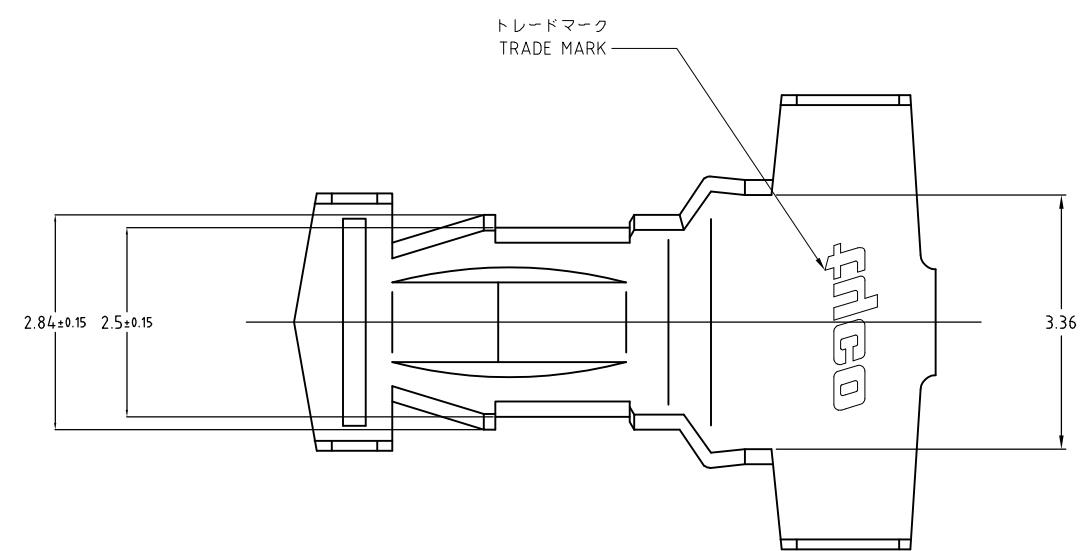
Email & Skype: info@chipsmall.com Web: www.chipsmall.com

Address: A1208, Overseas Decoration Building, #122 Zhenhua RD., Futian, Shenzhen, China



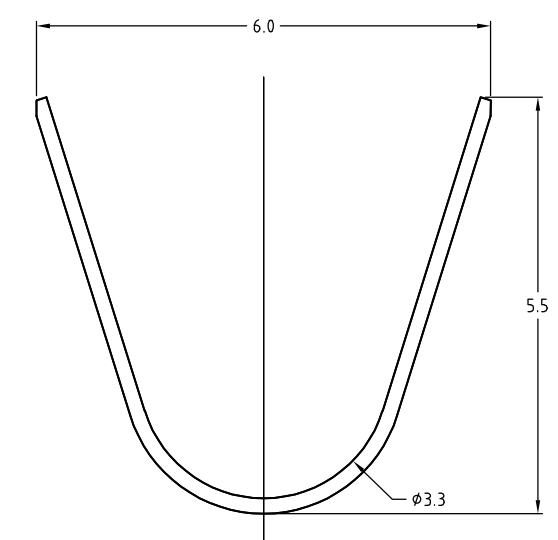
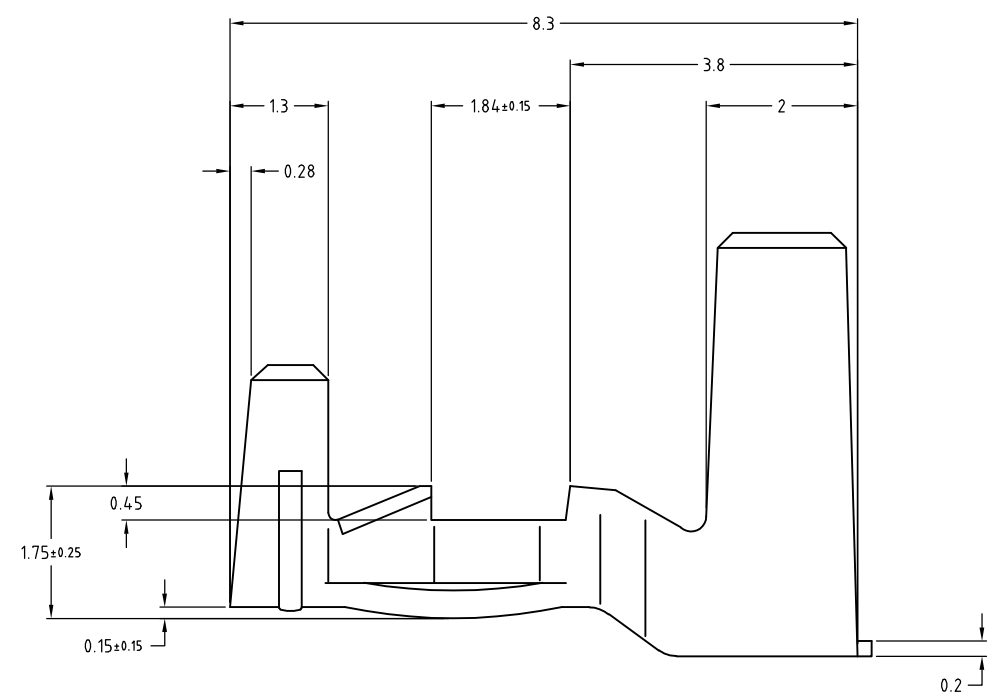
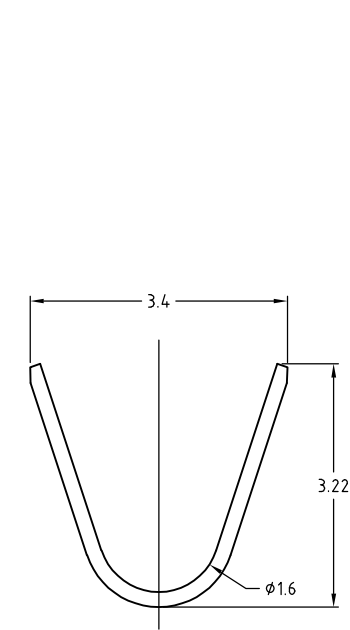
THIS DRAWING IS UNPUBLISHED. RELEASED FOR PUBLICATION
 © COPYRIGHT - Tyco Electronics Japan G.K. ALL RIGHTS RESERVED.

LOC	DIST	REVISIONS 変更					
J		P	LTR	DESCRIPTION	DATE	DWN	APVD
			B	REVISED	29NOV2012	K.S	N.Y




注；
 1. 適用電線 AWG#14、被覆外径 φ3.4~φ3.8
 2. 推奨基板孔径 φ2.5~φ2.6
 3. 推奨基板板厚 t1.6

NOTES;
 1. APPLICABLE WIRE ; AWG#14, IND DIA φ3.4~φ3.8
 2. RECOMMEND P.C.B HOLL DIA ; φ2.5~φ2.6
 3. RECOMMEND P.C.B THICKNESS ; t1.6



1871865-1
 型番 P/N

THIS DRAWING IS A CONTROLLED DOCUMENT.		DWN M.SUZUKI 31AUG2005	 TE Connectivity	
DIMENSIONS: 単位: 耗 mm		CHK N.YAMASAKI 01SEP05		
TOLERANCES UNLESS OTHERWISE SPECIFIED: 一般公差		APVD N.YAMASAKI 01SEP05	NAME 名称 BOARD IN CONTACT M-TYPE	
0 PLØ ± 0.3 1 P/C ± 2 P/C ± 3 P/C ± 4 P/C ± ANGLES ± 1DEG		PRODUCT SPEC 製品規格 108-78343	RESTRICTED TO —	
MATERIAL 材料 BRASS 黄銅		FINISH 仕上 TIN 錫	APPLICATION SPEC 取付適用規格 114-5388	SIZE A3
		WEIGHT	CAGE CODE 00779	DRAWING NO 番号 C-1871865
		CUSTOMER DRAWING	SCALE 尺度 10:1	SHEET 1 OF 1
				REV B