



Chipsmall Limited consists of a professional team with an average of over 10 year of expertise in the distribution of electronic components. Based in Hongkong, we have already established firm and mutual-benefit business relationships with customers from,Europe,America and south Asia,supplying obsolete and hard-to-find components to meet their specific needs.

With the principle of "Quality Parts,Customers Priority,Honest Operation,and Considerate Service",our business mainly focus on the distribution of electronic components. Line cards we deal with include Microchip,ALPS,ROHM,Xilinx,Pulse,ON,Everlight and Freescale. Main products comprise IC,Modules,Potentiometer,IC Socket,Relay,Connector.Our parts cover such applications as commercial,industrial, and automotives areas.

We are looking forward to setting up business relationship with you and hope to provide you with the best service and solution. Let us make a better world for our industry!



Contact us

Tel: +86-755-8981 8866 Fax: +86-755-8427 6832

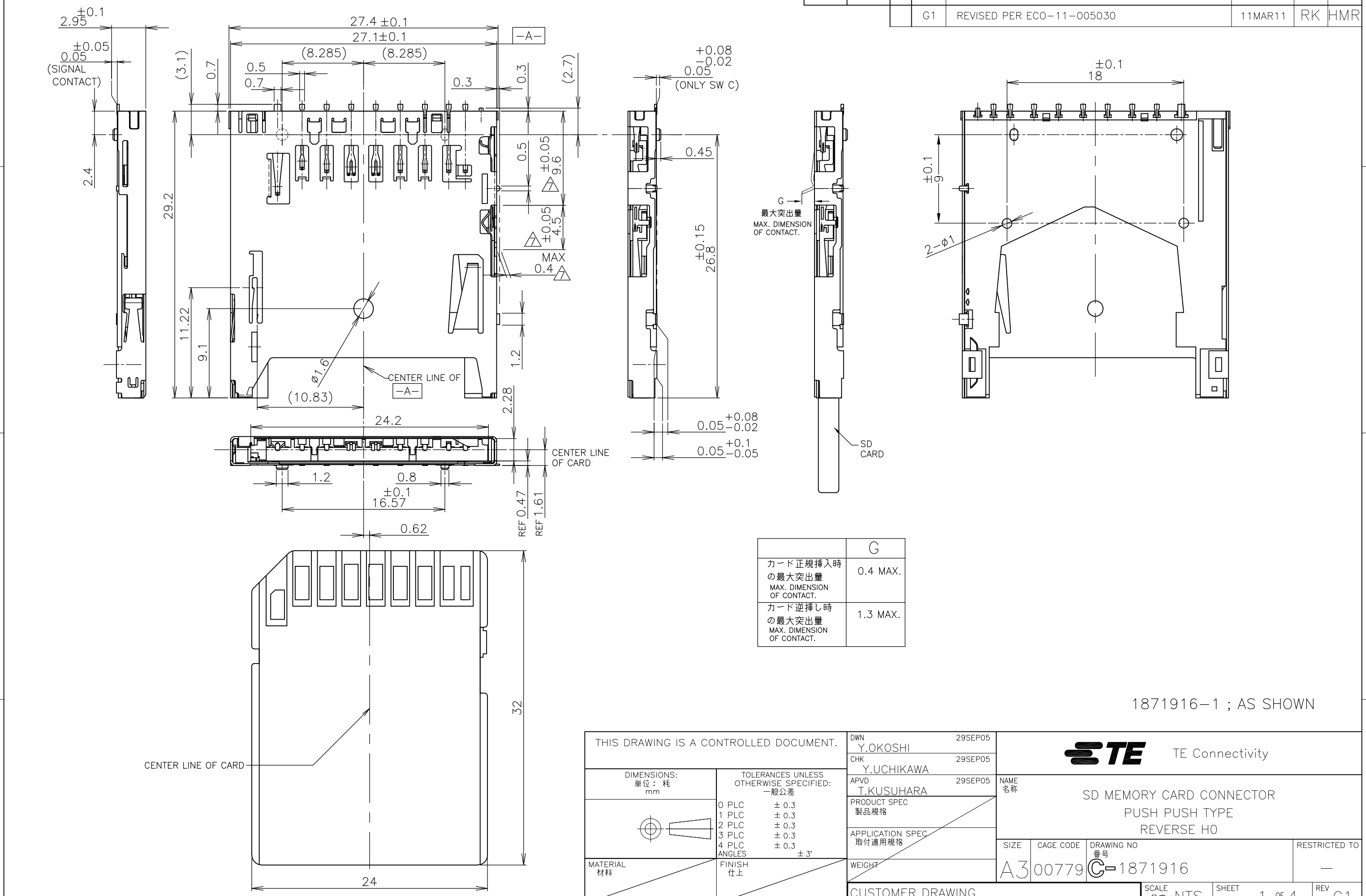
Email & Skype: info@chipsmall.com Web: www.chipsmall.com

Address: A1208, Overseas Decoration Building, #122 Zhenhua RD., Futian, Shenzhen, China



THIS DRAWING IS UNPUBLISHED. RELEASED FOR PUBLICATION
 © COPYRIGHT - By - ALL RIGHTS RESERVED.

LOC	DIST	REVISIONS					
J	-	P	LTR	DESCRIPTION	DATE	DWN	APVD
		G1		REVISED PER ECO-11-005030	11MAR11	RK	HMR

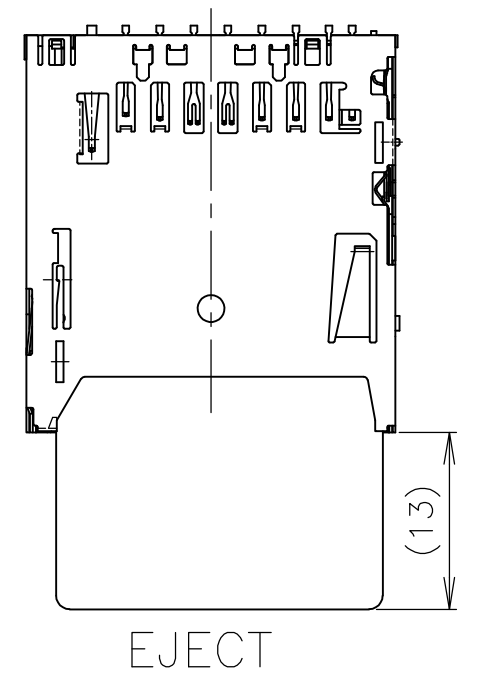
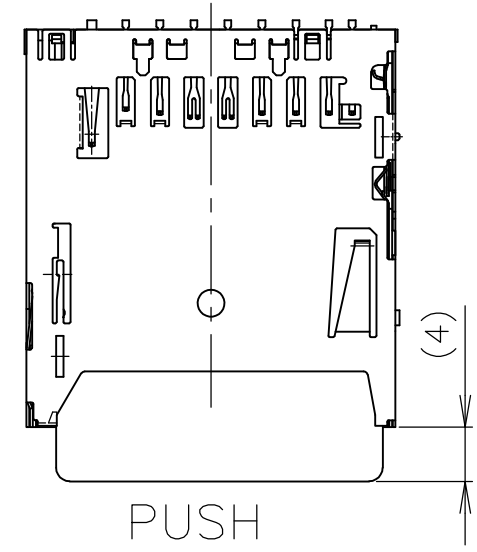
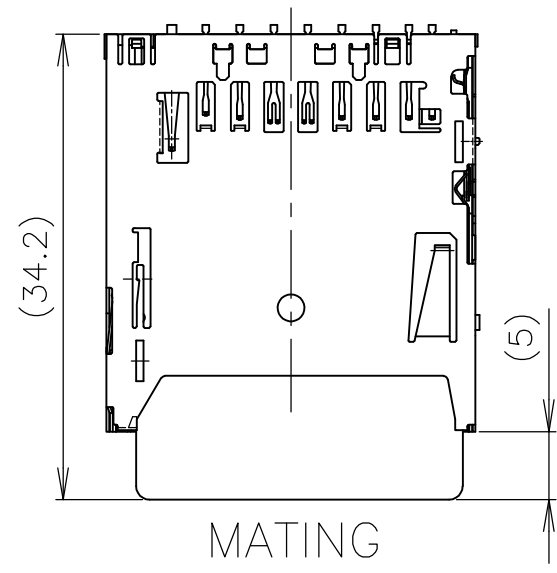


1871916-1 ; AS SHOWN

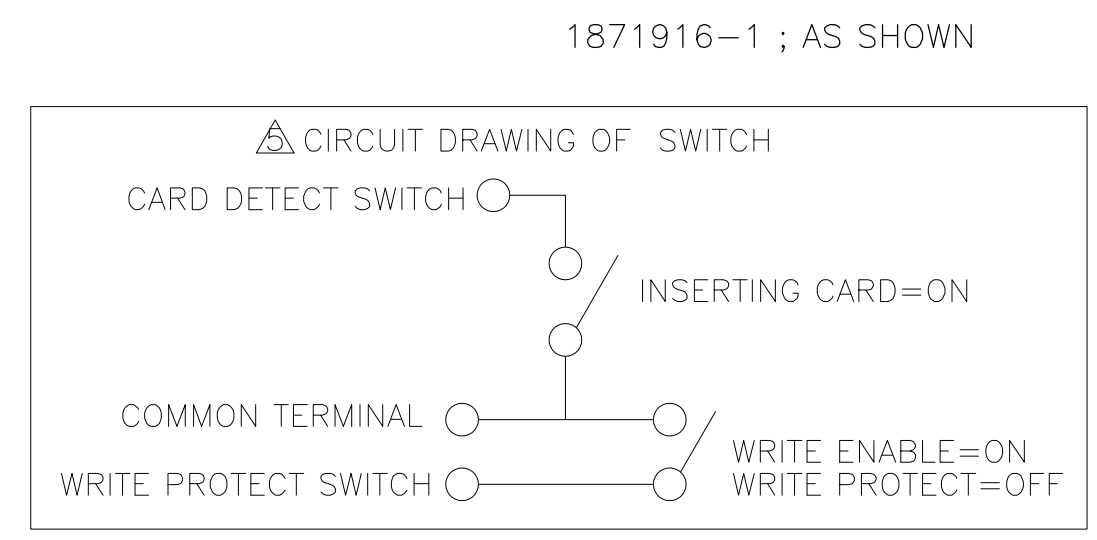
THIS DRAWING IS A CONTROLLED DOCUMENT.		DWN Y.OKOSHI 29SEP05	TE Connectivity	
DIMENSIONS: 単位: 耗 mm		CHK Y.UCHIKAWA 29SEP05		
TOLERANCES UNLESS OTHERWISE SPECIFIED: 一般公差		APVD T.KUSUHARA 29SEP05	NAME 名称	
0 PLC ± 0.3		PRODUCT SPEC 製品規格		SD MEMORY CARD CONNECTOR PUSH PUSH TYPE REVERSE H0
1 PLC ± 0.3		APPLICATION SPEC 取付適用規格		
2 PLC ± 0.3		WEIGHT		SIZE A3
3 PLC ± 0.3		CUSTOMER DRAWING		CAGE CODE 00779
4 PLC ± 0.3		SCALE 尺度 NTS		DRAWING NO 番号 G-1871916
ANGLES ± 3'		SHEET 1 OF 4		RESTRICTED TO -
FINISH 仕上		REV G1		

THIS DRAWING IS UNPUBLISHED. RELEASED FOR PUBLICATION
 © COPYRIGHT - By - ALL RIGHTS RESERVED.

LOC	DIST	REVISIONS					
		P	LTR	DESCRIPTION	DATE	DWN	APVD
J	-			SEE SHEET 1	-	-	-



- 注記
- △ カード認識スイッチ用
 - △ コモン端子用
 - △ ライトプロテクトスイッチ用
 - 4 カード挿入時の接触の順番
 PIN #3,4 → PIN #2,5,6,7,8,9
 カード認識スイッチ ← PIN #1 ←
 - △ スwitchの回路図
 - 6 本製品は浸漬による洗浄は行わないこと。
 - 7 適合基板厚 0.6±0.1mm
 - 8 コプラナリティは、0.1mm以下。
 - 9 材料
 ハウジング : LCP樹脂、UL94V-0、黒色
 コンタクト : 銅合金
 シェル : 銅合金 (t=0.2)
 - 10 仕上げ
 コンタクト : 接点部 : Ni下地めっき 2~4μm、Auめっき0.2~0.5μm。
 タイム : Snめっき 2~4μm。(無光沢)
 タイム : Auめっき 0.05~0.13μm。(コモン端子)
 シェル : Cu 0.5μm.MIN. Snめっき(前めっき リフロー処理) 1μm.MIN.

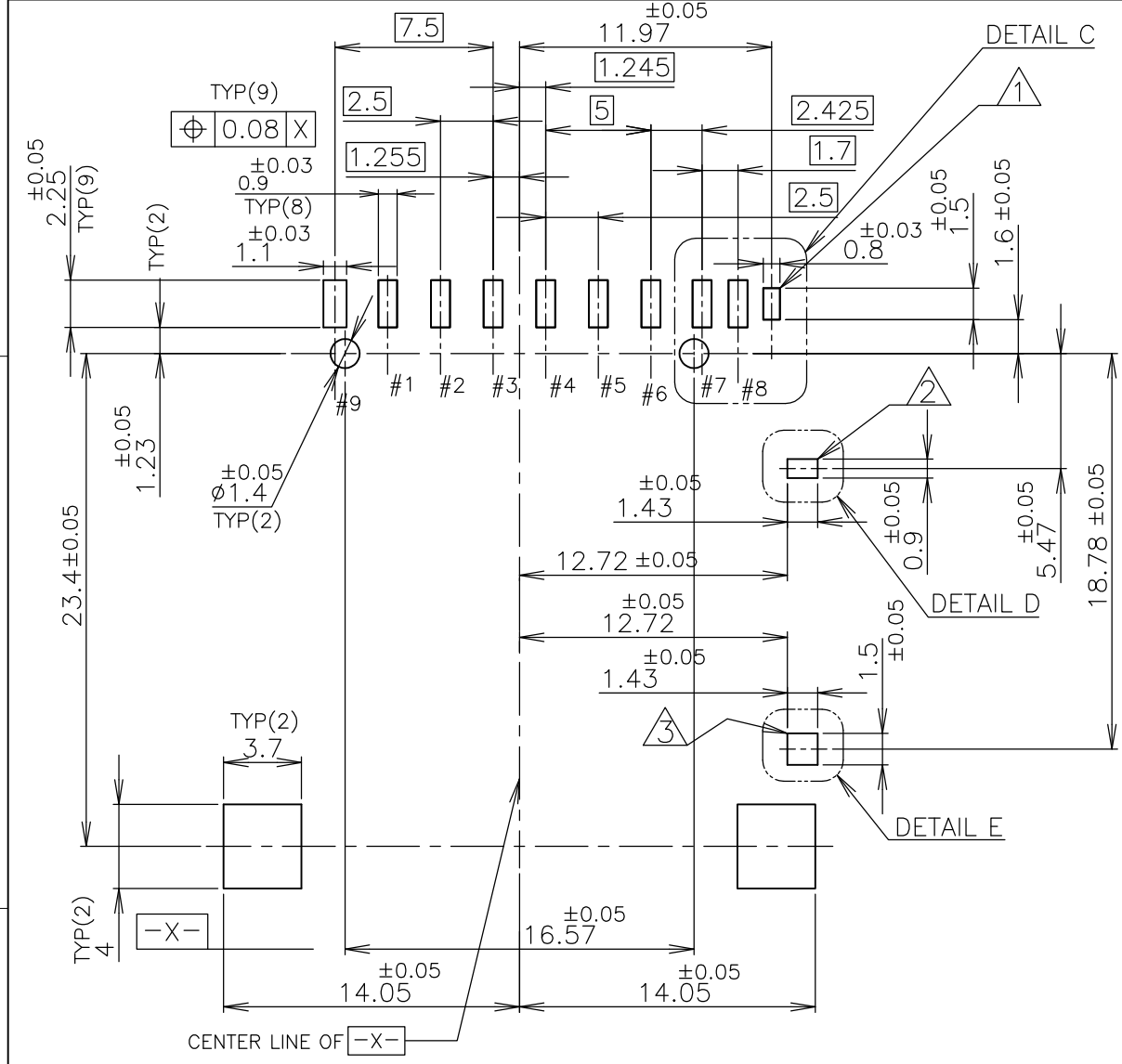


- NOTE
- △ FOR CARD DETECT SWITCH
 - △ FOR COMMON TERMINAL
 - △ FOR WRITE PROTECT SWITCH
 - 4 THE SEQUENCE OF CONTACT DURING CARD INSERTION
 PIN #3,4 → PIN #2,5,6,7,8,9
 CARD DETECT SWITCH ← PIN #1 ←
 - △ CIRCUIT DRAWING OF SWITCH
 - 6 DON'T WASH BY IMMERSING THE CONNECTOR IN FLUID
 - 7 APPLICABLE BOARD THICKNESS :0.8±0.1mm
 - 8 COPLANARITY IS 0.1MAX.
 - 9 MATERIAL
 HOUSING : LCP,UL94V-0,BLACK
 CONTACT : COPPER ALLOY
 SHELL : COPPER ALLOY (t=0.2)
 - 10 FINISH
 CONTACT : CONTACT AREA:Ni UNDER PLATING 2~4μm. Au PLATING 0.2~0.5μm。
 TIME : Sn PLATING 2~4μm。(NON LUSTER)
 TIME : Au PLATING 0.05~0.13μm。(COMMON TERMINAL)
 SHELL : Cu 0.5μm.MIN. Sn PLATING(PRE-TIN REFLOW) 1μm.MIN.

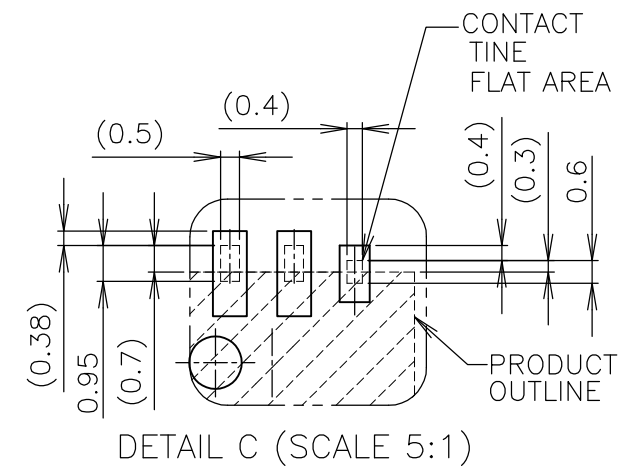
THIS DRAWING IS A CONTROLLED DOCUMENT.		DWN	STE TE Connectivity		
DIMENSIONS: 単位: 耗 mm		CHK			
	TOLERANCES UNLESS OTHERWISE SPECIFIED: 一般公差	APVD	NAME 名称 SD MEMORY CARD CONNECTOR PUSH PUSH TYPE REVERSE H0		
	0 PLC ± 0.3	PRODUCT SPEC 製品規格	SIZE	CAGE CODE	DRAWING NO 番号
	1 PLC ± 0.3	APPLICATION SPEC 取付適用規格	A3	00779	G-1871916
	2 PLC ± 0.3	WEIGHT	RESTRICTED TO		
3 PLC ± 0.3	FINISH 仕上	CUSTOMER DRAWING			SCALE 尺度 NTS
4 PLC ± 0.3		SHEET 2 OF 4			REV G1
ANGLES ± 3'					

THIS DRAWING IS UNPUBLISHED. RELEASED FOR PUBLICATION
 © COPYRIGHT - By - ALL RIGHTS RESERVED.

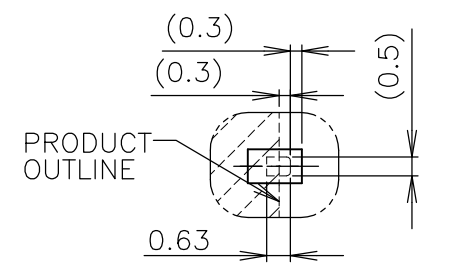
LOC	DIST	REVISIONS			DATE	DWN	APVD
		P	LTR	DESCRIPTION			
J	-	-	-	SEE SHEET 1	-	-	-



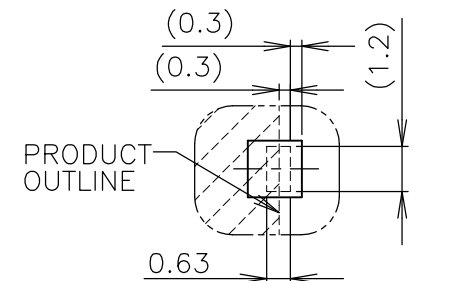
PCB PATTERN LAYOUT(REFERENCE)
 (VIEW FROM CONNECTOR MOUNT SIDE)



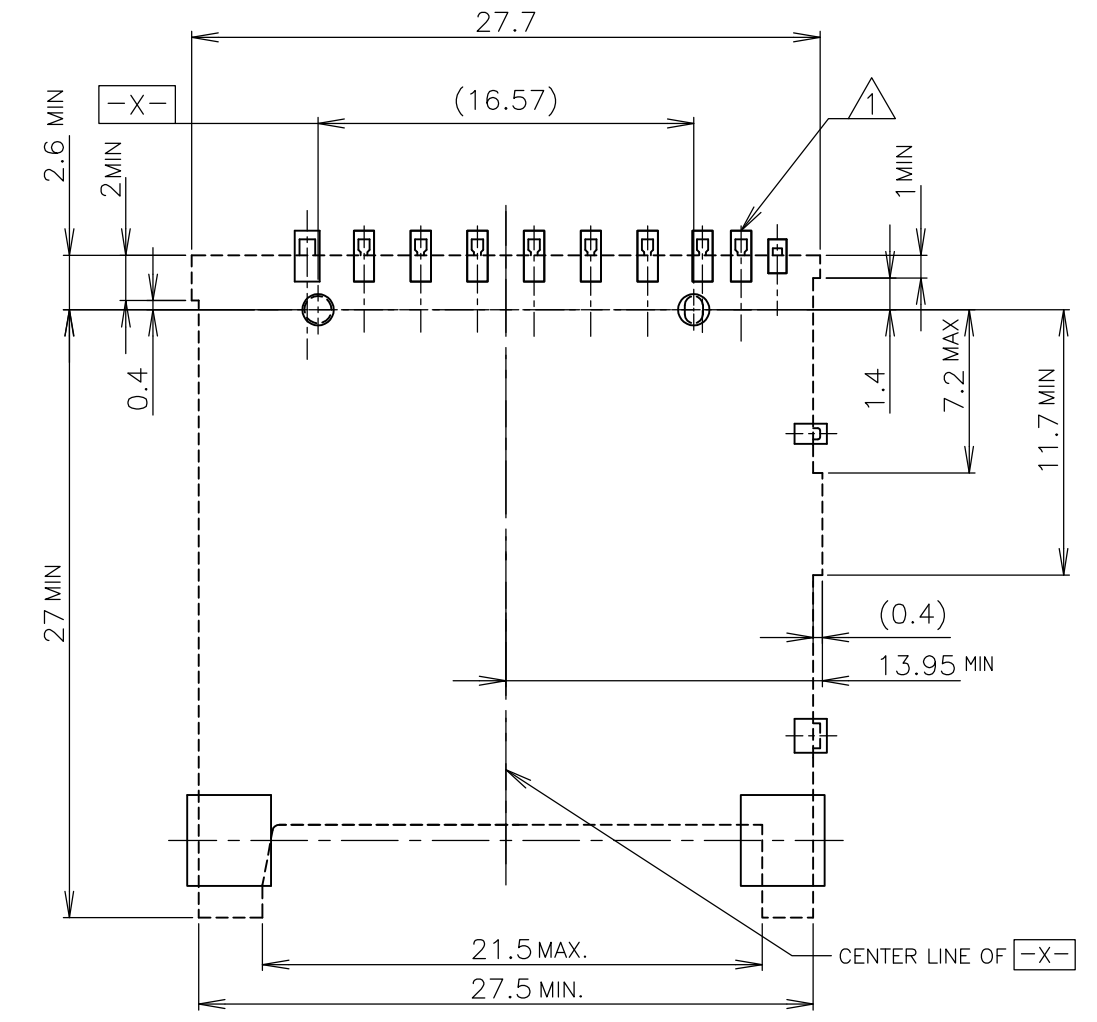
DETAIL C (SCALE 5:1)



DETAIL D (SCALE 5:1)

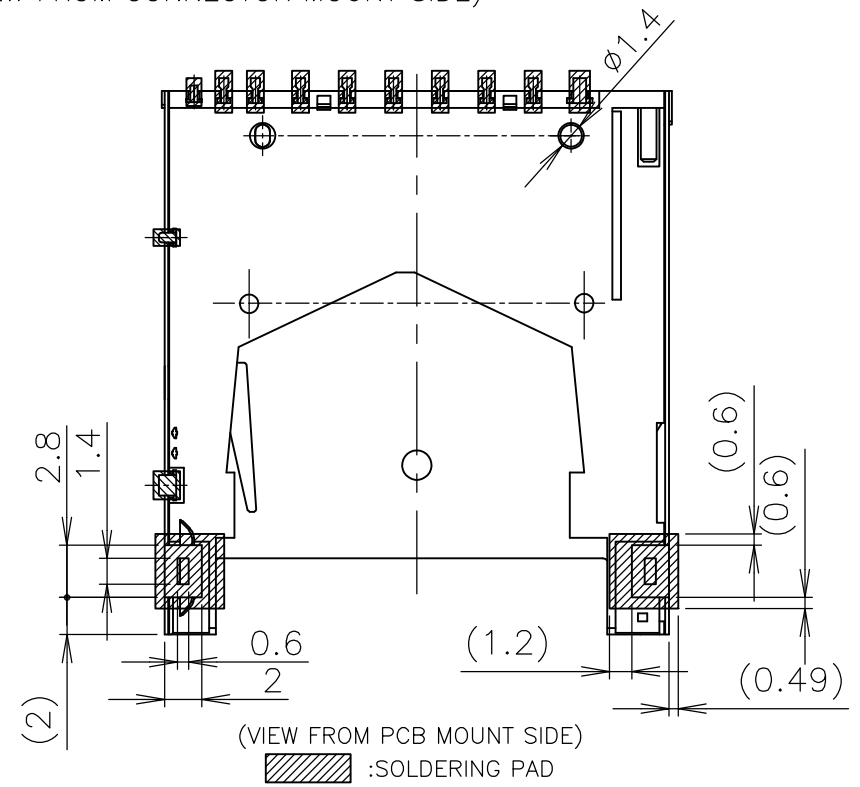


DETAIL E (SCALE 5:1)



(VIEW FROM CONNECTOR MOUNT SIDE)

▨ : COMPONENT PROHIBITION AREA
 □ : SOLDERING PAD

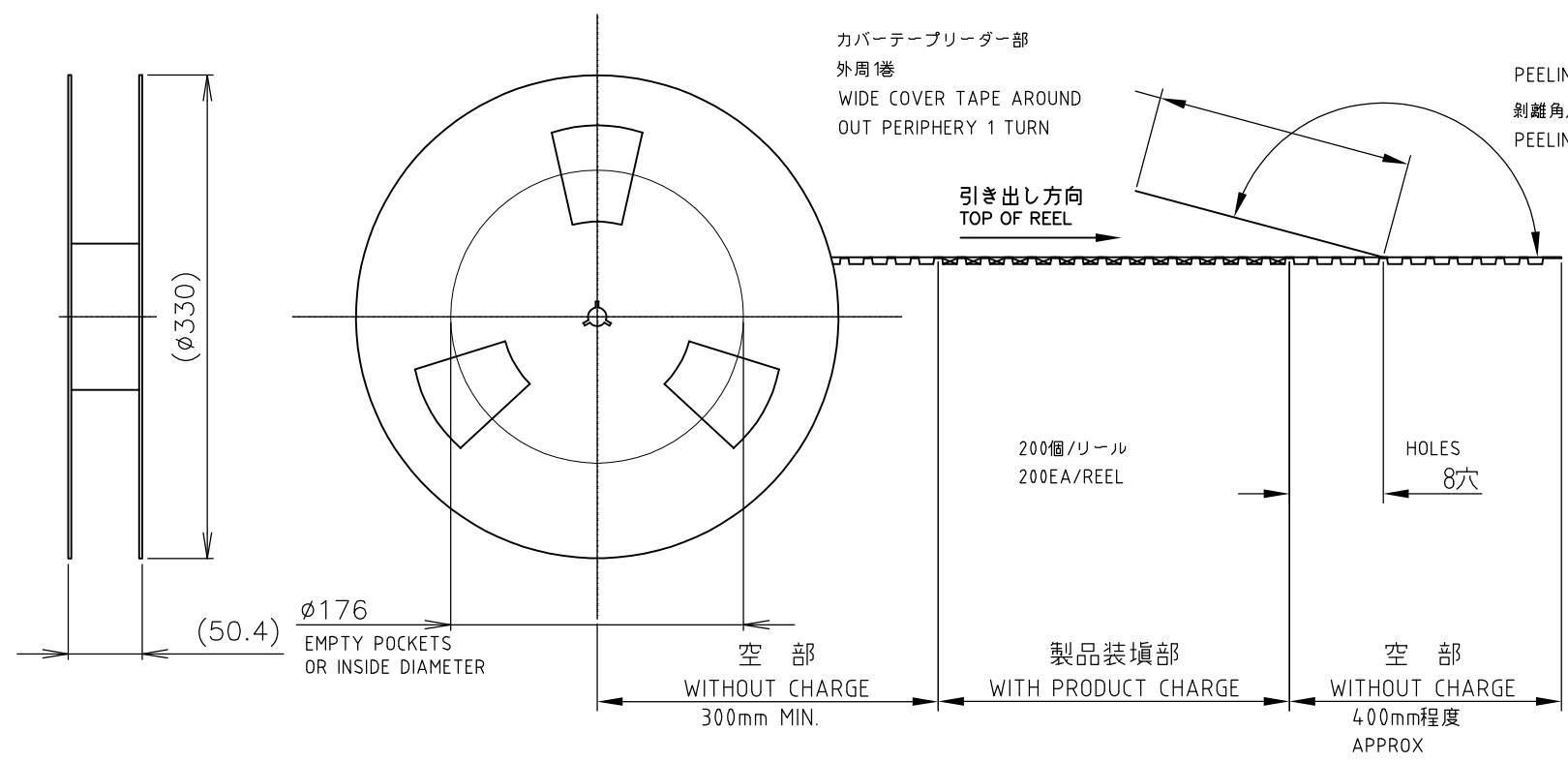
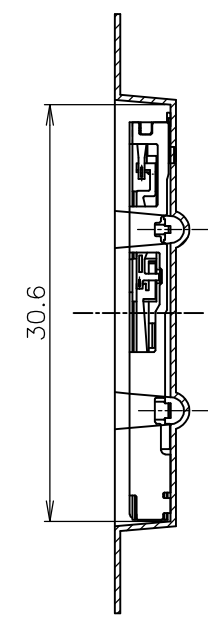
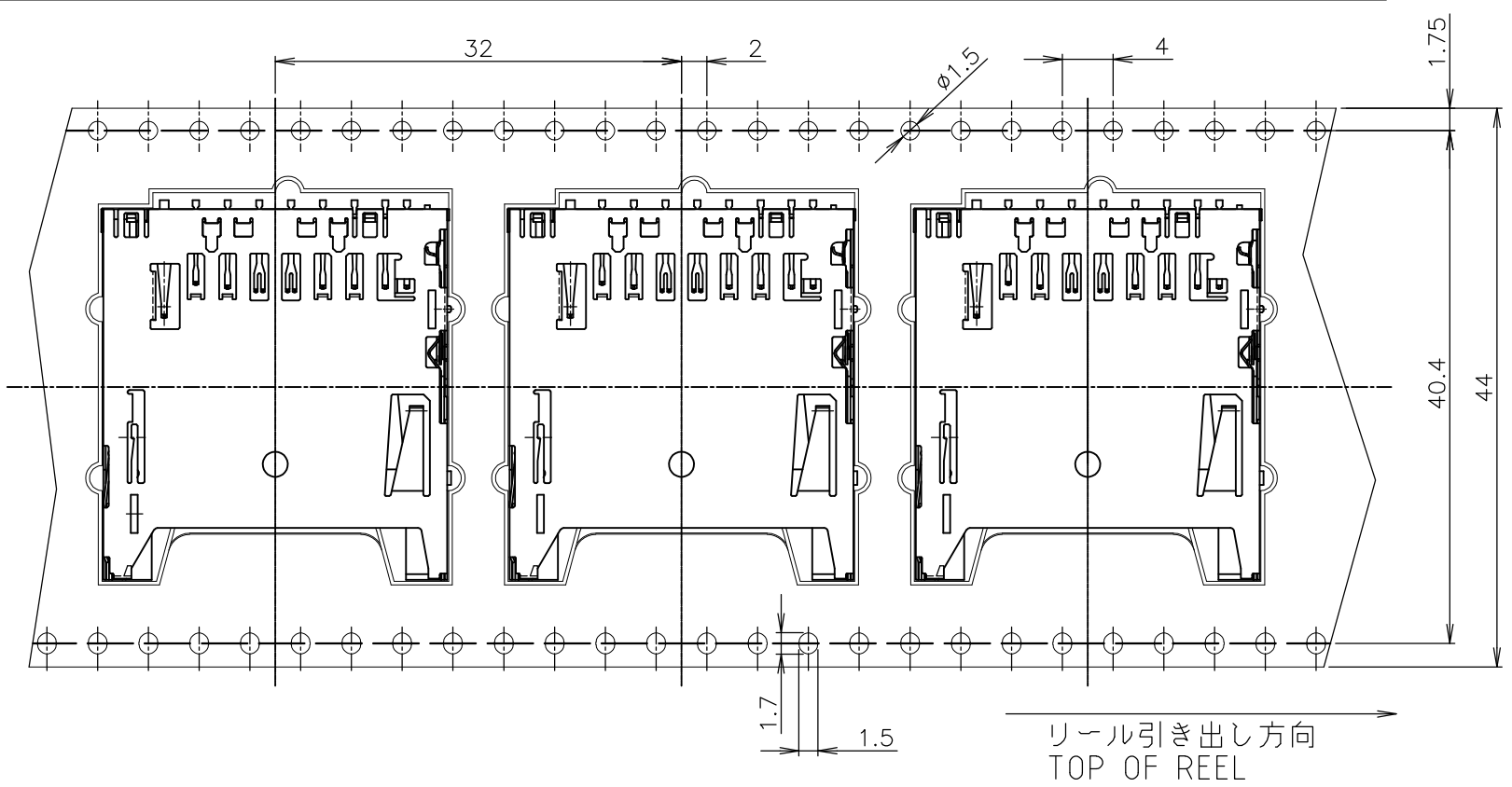


(VIEW FROM PCB MOUNT SIDE)
 ▨ : SOLDERING PAD

THIS DRAWING IS A CONTROLLED DOCUMENT.		DWN	TE Connectivity		
DIMENSIONS: 單位: 耗 mm		CHK			
TOLERANCES UNLESS OTHERWISE SPECIFIED: 一般公差		APVD	NAME 名称		
0 PLC ± 0.3		PRODUCT SPEC 製品規格	SD MEMORY CARD CONNECTOR		
1 PLC ± 0.3		APPLICATION SPEC 取付適用規格	PUSH PUSH TYPE		
2 PLC ± 0.3		WEIGHT	SIZE	CAGE CODE	DRAWING NO 番号
3 PLC ± 0.3		CUSTOMER DRAWING	A3	00779	G-1871916
4 PLC ± 0.3			SCALE 尺度	NTS	SHEET 3 OF 4
ANGLES ± 3°		RESTRICTED TO			
FINISH 仕上		-			

THIS DRAWING IS UNPUBLISHED. RELEASED FOR PUBLICATION
 © COPYRIGHT - By - ALL RIGHTS RESERVED.

LOC	DIST	REVISIONS					
		P	LTR	DESCRIPTION	DATE	DWN	APVD
J	-	-	-	SEE SHEET 1	-	-	-



THIS DRAWING IS A CONTROLLED DOCUMENT.		DWN	STE TE Connectivity	
DIMENSIONS: 単位: 耗 mm		CHK		
TOLERANCES UNLESS OTHERWISE SPECIFIED: 一般公差		APVD	NAME 名称	
0 PLC ± 0.3		PRODUCT SPEC 製品規格	SD MEMORY CARD CONNECTOR	
1 PLC ± 0.3		APPLICATION SPEC 取付適用規格	PUSH PUSH TYPE	
2 PLC ± 0.3		WEIGHT	SIZE	CAGE CODE
3 PLC ± 0.3		CUSTOMER DRAWING	A3	00779
4 PLC ± 0.3			DRAWING NO 番号	G-1871916
ANGLES ± 3'		RESTRICTED TO	-	
FINISH 仕上		SCALE 尺度	NTS	SHEET 4 OF 4
MATERIAL 材料		REV	G1	