



Chipsmall Limited consists of a professional team with an average of over 10 year of expertise in the distribution of electronic components. Based in Hongkong, we have already established firm and mutual-benefit business relationships with customers from,Europe,America and south Asia,supplying obsolete and hard-to-find components to meet their specific needs.

With the principle of “Quality Parts,Customers Priority,Honest Operation,and Considerate Service”,our business mainly focus on the distribution of electronic components. Line cards we deal with include Microchip,ALPS,ROHM,Xilinx,Pulse,ON,Everlight and Freescale. Main products comprise IC,Modules,Potentiometer,IC Socket,Relay,Connector.Our parts cover such applications as commercial,industrial, and automotives areas.

We are looking forward to setting up business relationship with you and hope to provide you with the best service and solution. Let us make a better world for our industry!



## Contact us

Tel: +86-755-8981 8866 Fax: +86-755-8427 6832

Email & Skype: info@chipsmall.com Web: www.chipsmall.com

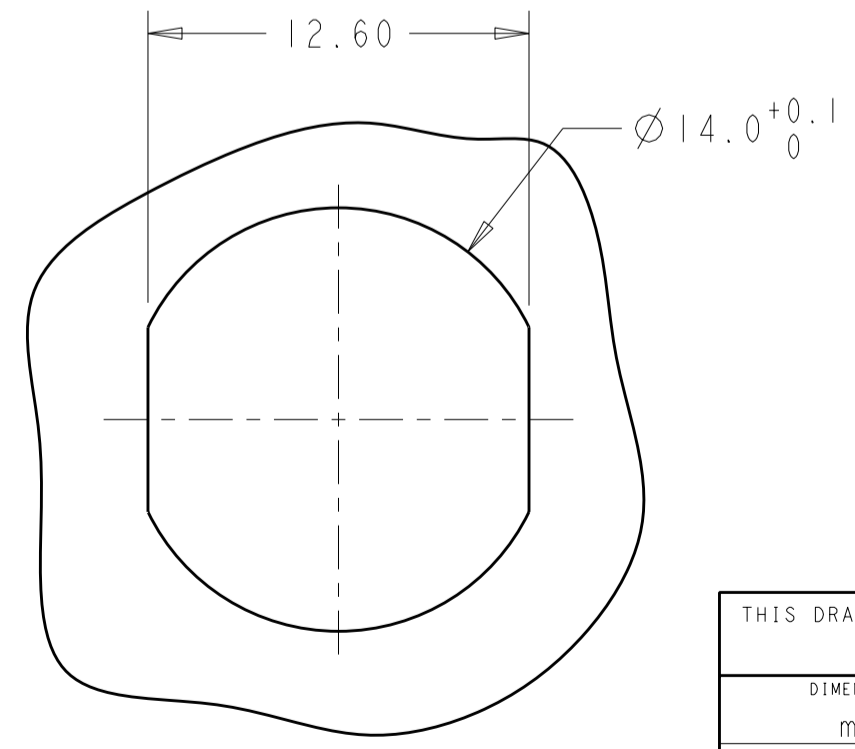
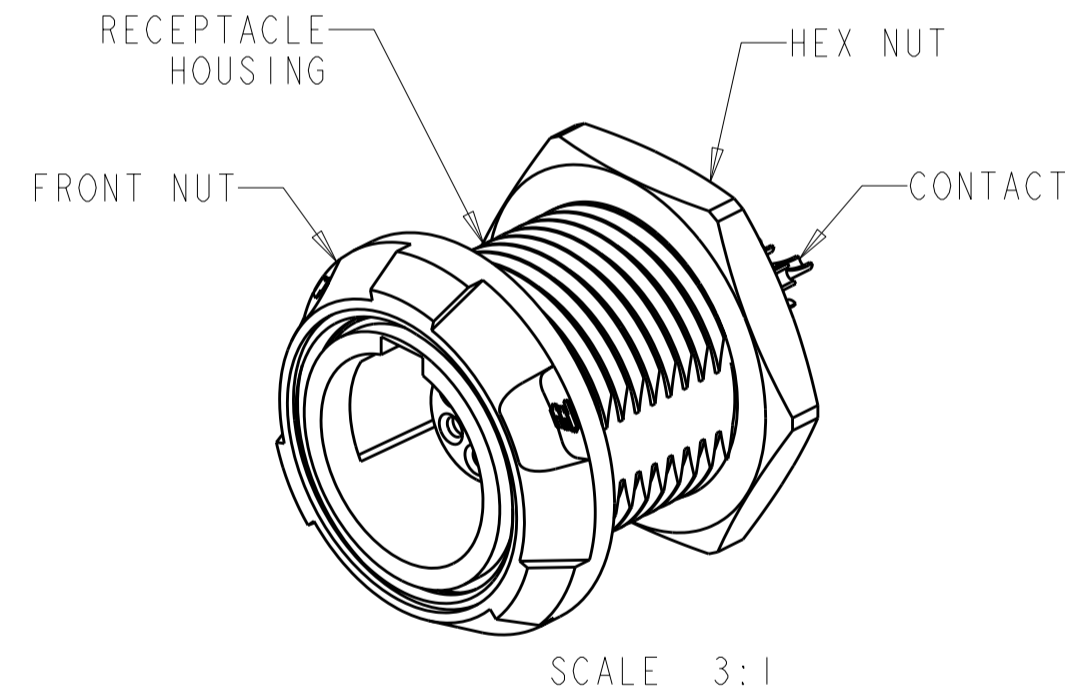
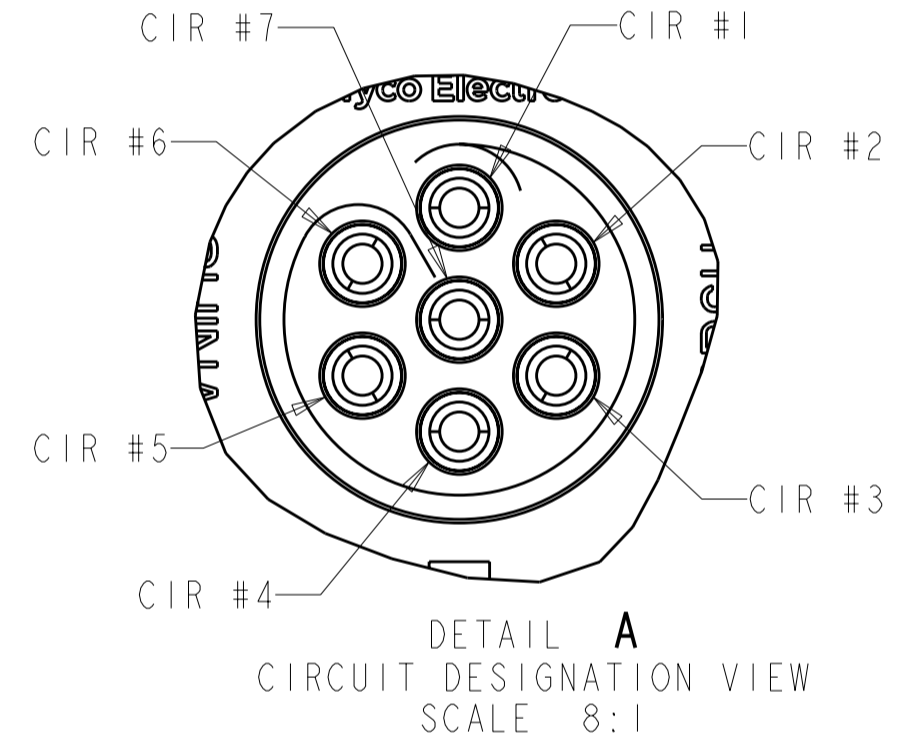
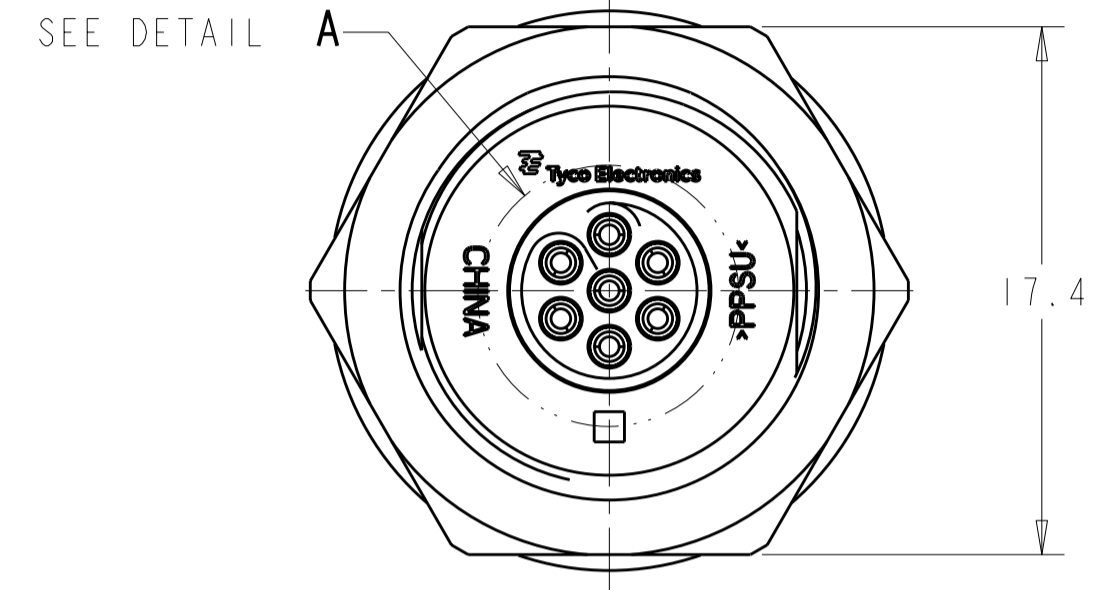
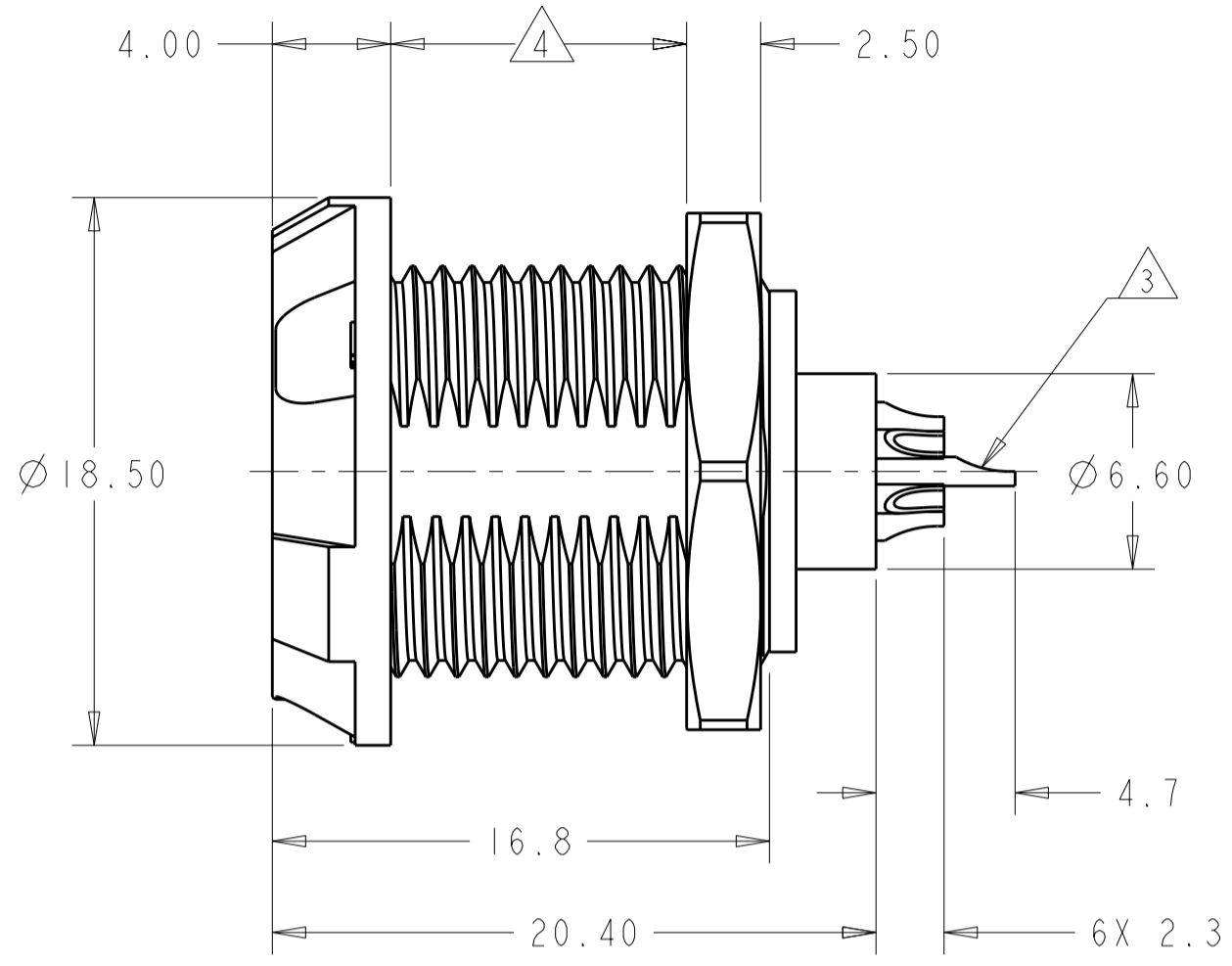
Address: A1208, Overseas Decoration Building, #122 Zhenhua RD., Futian, Shenzhen, China



THIS DRAWING IS UNPUBLISHED. RELEASED FOR PUBLICATION 20  
 © COPYRIGHT 20 BY - ALL RIGHTS RESERVED.

LOC	DIST	REVISIONS			
P	LTR	DESCRIPTION	DATE	DWN	APVD
AD	00	B3	REVISED PER ECO-11-005027	12MAR2011	RK HMR

- 1 MATERIAL:  
RECEPTACLE HOUSING, UL 94V-0 RATED THERMOPLASTIC, COLOR:SEE TABLE  
CONTACT, PHOSPHOR BRONZE  
FRONT NUT, UL 94V-0 RATED THERMOPLASTIC, COLOR:SEE TABLE  
HEX NUT, BRASS
- 2 FINISH:  
CONTACT, 0.75µm MIN. GOLD OVER NICKEL  
HEX NUT, NICKEL
- 3 SOLDER TERMINATION CONTACT, 26 AWG WIRE MAX.
- 4 10.0 MAXIMUM PANEL THICKNESS
- 5. INSTALLS FROM FRONT OR REAR OF PANEL
- 6. INGRESS PROTECTION: IP50 (MATED)
- 7 PRELIMINARY PART NUMBER.



SUGGESTED  
PANEL CUTOUT  
SCALE 4:1

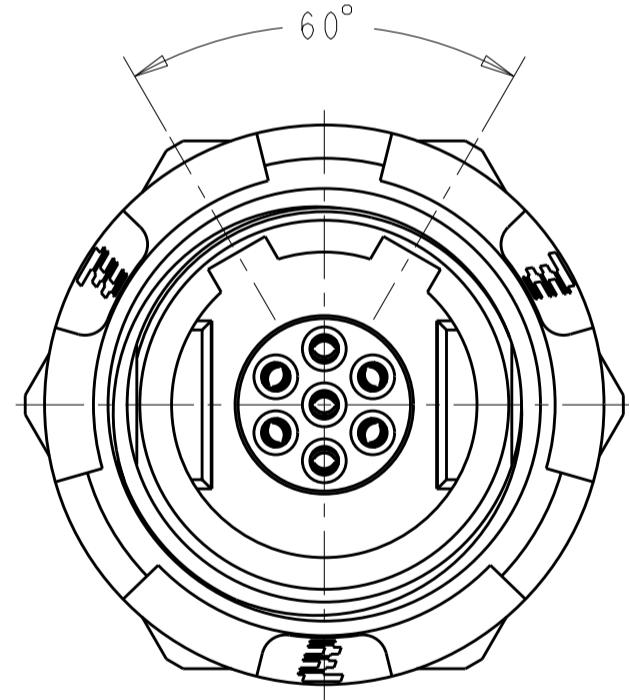
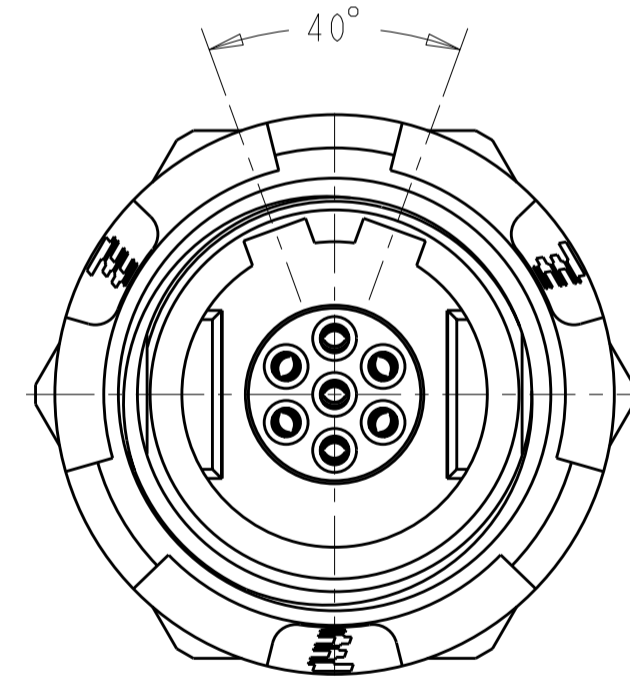
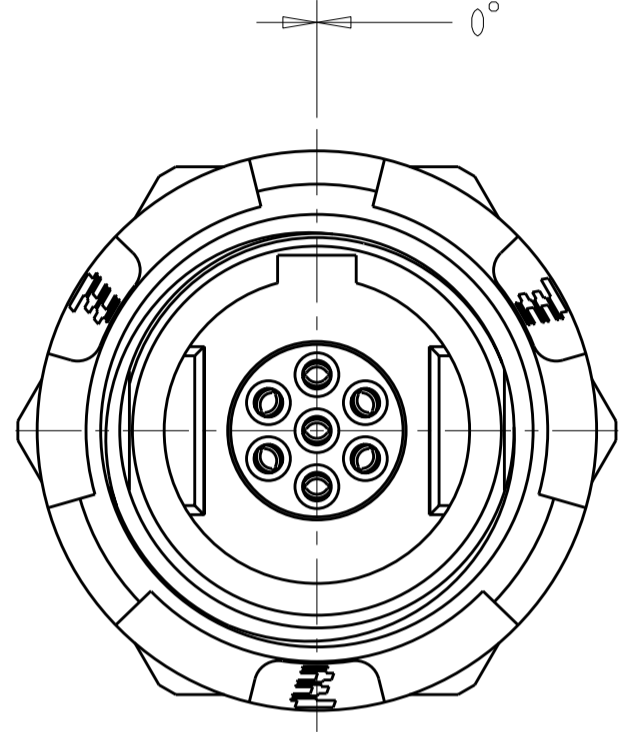
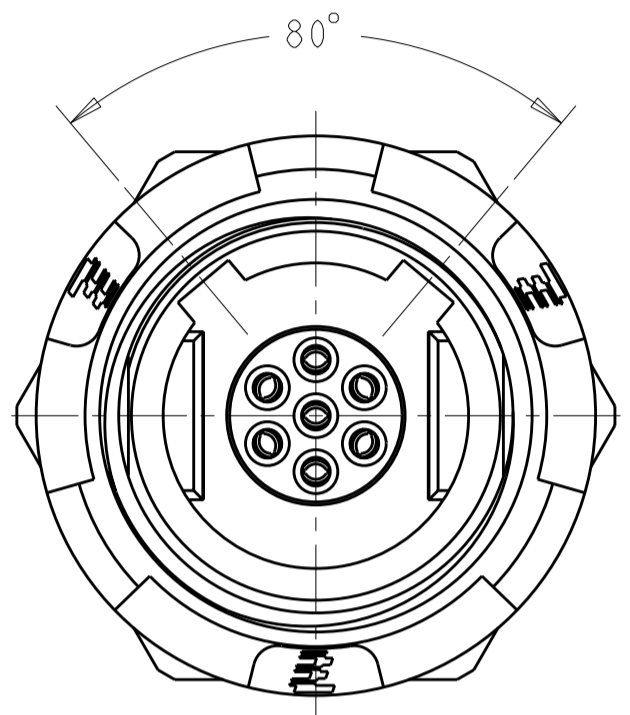
THIS DRAWING IS A CONTROLLED DOCUMENT.		DWN R.L. KOLLER 21 JUN 2005	<b>STE</b> TE Connectivity	
		CHK L. BREKOSKY 28 JUN 2005		
DIMENSIONS: mm		TOLERANCES UNLESS OTHERWISE SPECIFIED:		NAME RECEPTACLE ASSEMBLY PANEL MOUNT 7 POSITION
0 PLC ±		1 PLC ±0.2		PRODUCT SPEC 108-2249
2 PLC ±0.08		3 PLC ±		APPLICATION SPEC 114-13184
4 PLC ±		ANGLES ±1°		WEIGHT -
FINISH		MATERIAL		SIZE A2
1		2		CAGE CODE 00779
		CUSTOMER DRAWING		DRAWING NO. 1877068
		SCALE 5:1		RESTRICTED TO -
		SHEET 1 OF 2		REV B3

THIS DRAWING IS UNPUBLISHED. RELEASED FOR PUBLICATION 20  
 © COPYRIGHT 20 BY - ALL RIGHTS RESERVED.

LOC	DIST	REVISIONS			
P	LTR	DESCRIPTION	DATE	DWN	APVD
AD	00	SEE SHEET 1			

KEYING	FRONT NUT COLOR	HOUSING COLOR	PART NUMBER
40°	BLUE	BLACK	4-1877068-2
	BLUE	GRAY	4-1877068-1
40°	GREEN	BLACK	4-1877068-0
	GREEN	GRAY	3-1877068-9
40°	YELLOW	BLACK	3-1877068-8
	YELLOW	GRAY	3-1877068-7
40°	WHITE	BLACK	3-1877068-6
	WHITE	GRAY	3-1877068-5
40°	RED	BLACK	3-1877068-4
	RED	GRAY	3-1877068-3
40°	BLACK	BLACK	3-1877068-2
	BLACK	GRAY	3-1877068-1
40°	GRAY	BLACK	3-1877068-0
	GRAY	GRAY	2-1877068-9
80°	BLACK	GRAY	2-1877068-8
	GRAY	BLACK	2-1877068-7
0°	BLACK	GRAY	2-1877068-6
	GRAY	BLACK	2-1877068-5
80°	BLUE	BLACK	2-1877068-4
	BLUE	GRAY	2-1877068-3
0°	BLUE	BLACK	2-1877068-2
	BLUE	GRAY	2-1877068-1
80°	GREEN	BLACK	2-1877068-0
	GREEN	GRAY	1-1877068-9
0°	GREEN	BLACK	1-1877068-8
	GREEN	GRAY	1-1877068-7
80°	YELLOW	BLACK	1-1877068-6
	YELLOW	GRAY	1-1877068-5
0°	YELLOW	BLACK	1-1877068-4
	YELLOW	GRAY	1-1877068-3
80°	WHITE	BLACK	1-1877068-2
	WHITE	GRAY	1-1877068-1
0°	WHITE	BLACK	1-1877068-0
	WHITE	GRAY	1877068-9
80°	RED	BLACK	1877068-8
	RED	GRAY	1877068-7
0°	RED	BLACK	1877068-6
	RED	GRAY	1877068-5
80°	BLACK	BLACK	1877068-4
	GRAY	GRAY	1877068-3
0°	BLACK	BLACK	1877068-2
	GRAY	GRAY	1877068-1

60°	BLUE	BLACK	5-1877068-6	7
	BLUE	GRAY	5-1877068-5	7
60°	GREEN	BLACK	5-1877068-4	7
	GREEN	GRAY	5-1877068-3	7
60°	YELLOW	BLACK	5-1877068-2	7
	YELLOW	GRAY	5-1877068-1	7
60°	WHITE	BLACK	5-1877068-0	7
	WHITE	GRAY	4-1877068-9	7
60°	RED	BLACK	4-1877068-8	7
	RED	GRAY	4-1877068-7	7
60°	BLACK	BLACK	4-1877068-6	7
	BLACK	GRAY	4-1877068-5	7
60°	GRAY	BLACK	4-1877068-4	7
	GRAY	GRAY	4-1877068-3	7



THIS DRAWING IS A CONTROLLED DOCUMENT.		DWN R.L. KOLLER 21 JUN 2005	TE Connectivity <b>RECEPTACLE ASSEMBLY          PANEL MOUNT          7 POSITION</b>	
DIMENSIONS: mm		CHK L. BREKOSKY 28 JUN 2005		
TOLERANCES UNLESS OTHERWISE SPECIFIED:		APVD -	NAME	
0 PLC ±-		PRODUCT SPEC	SIZE	
1 PLC ±0.2		108-2249	CAGE CODE	
2 PLC ±0.08		APPLICATION SPEC	DRAWING NO	
3 PLC ±-		114-13184	RESTRICTED TO	
4 PLC ±-		WEIGHT	SCALE	
ANGLES ±1°		-	5:1	
FINISH		CUSTOMER DRAWING	SHEET 2 OF 2	
			REV B.3	