



Chipsmall Limited consists of a professional team with an average of over 10 year of expertise in the distribution of electronic components. Based in Hongkong, we have already established firm and mutual-benefit business relationships with customers from,Europe,America and south Asia,supplying obsolete and hard-to-find components to meet their specific needs.

With the principle of “Quality Parts,Customers Priority,Honest Operation,and Considerate Service”,our business mainly focus on the distribution of electronic components. Line cards we deal with include Microchip,ALPS,ROHM,Xilinx,Pulse,ON,Everlight and Freescale. Main products comprise IC,Modules,Potentiometer,IC Socket,Relay,Connector.Our parts cover such applications as commercial,industrial, and automotives areas.

We are looking forward to setting up business relationship with you and hope to provide you with the best service and solution. Let us make a better world for our industry!



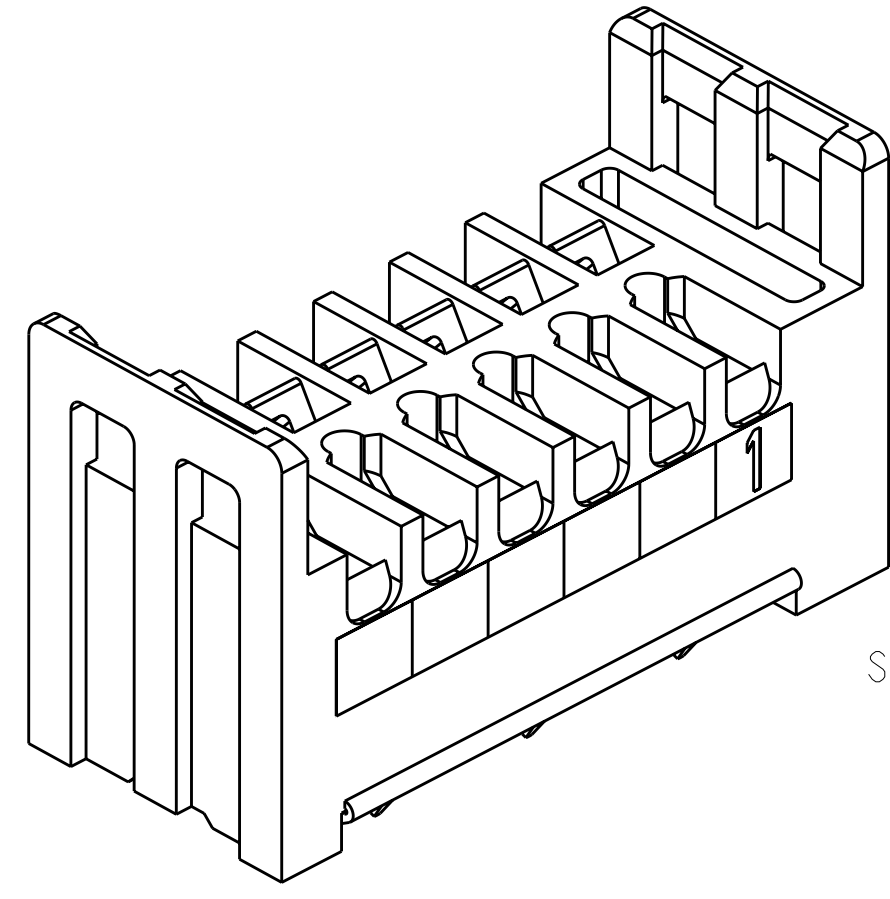
## Contact us

Tel: +86-755-8981 8866 Fax: +86-755-8427 6832

Email & Skype: info@chipsmall.com Web: www.chipsmall.com

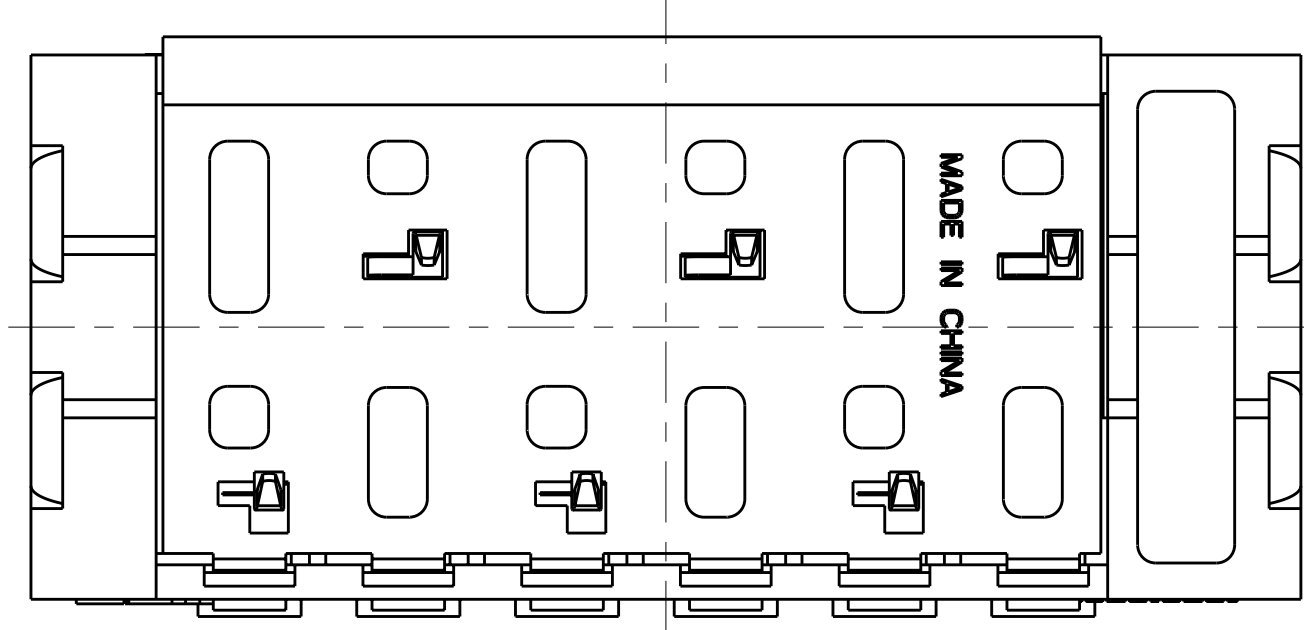
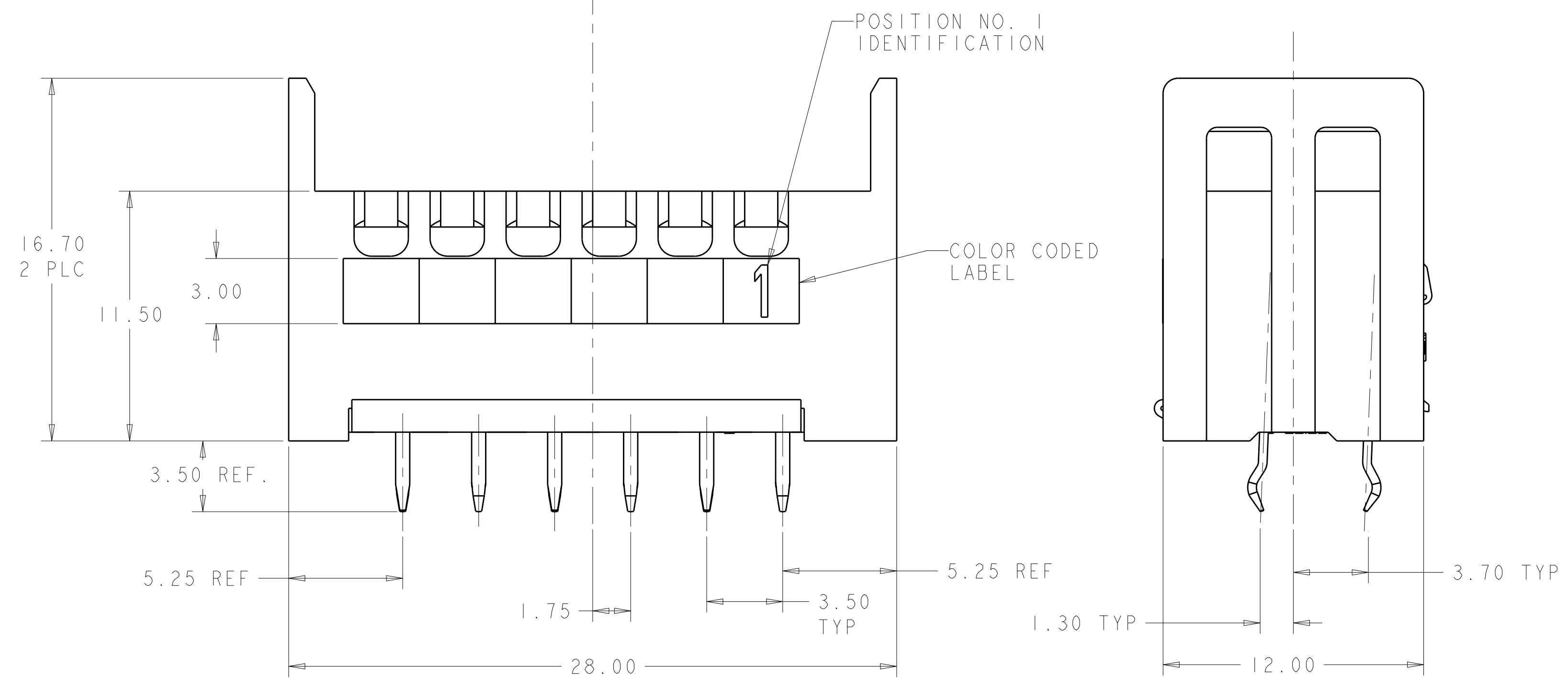
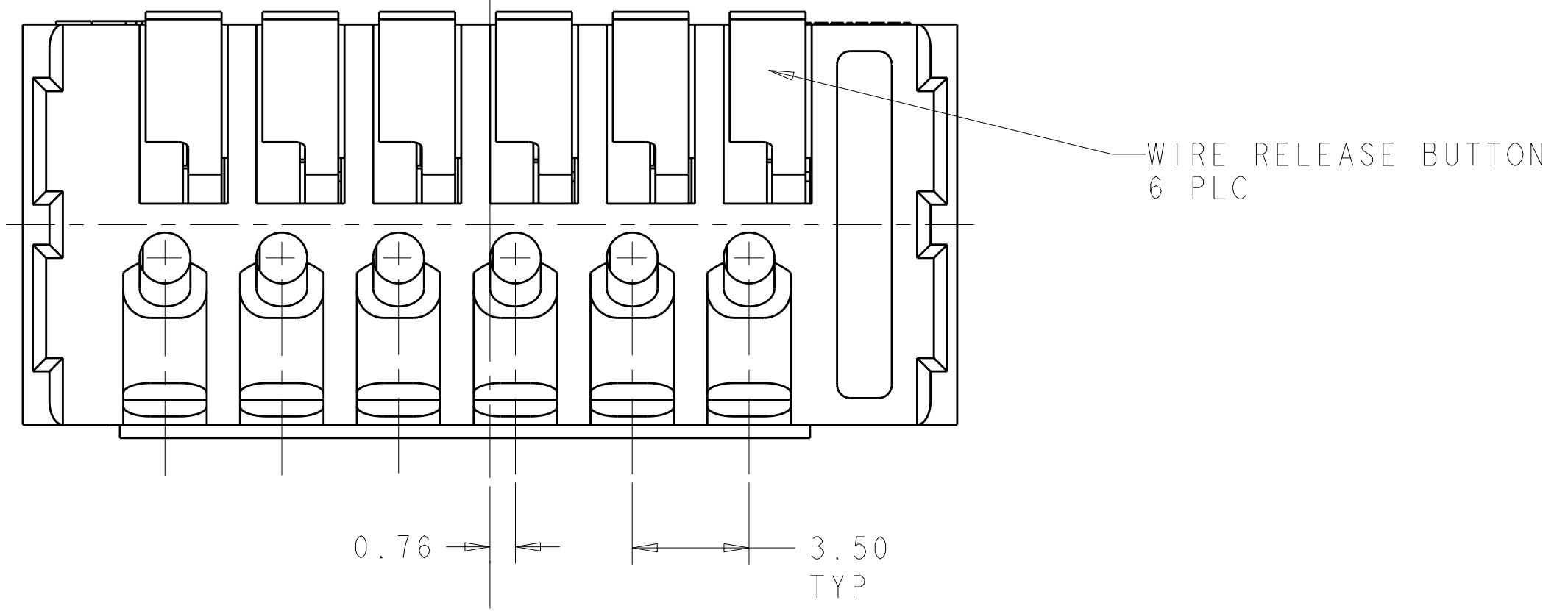
Address: A1208, Overseas Decoration Building, #122 Zhenhua RD., Futian, Shenzhen, China





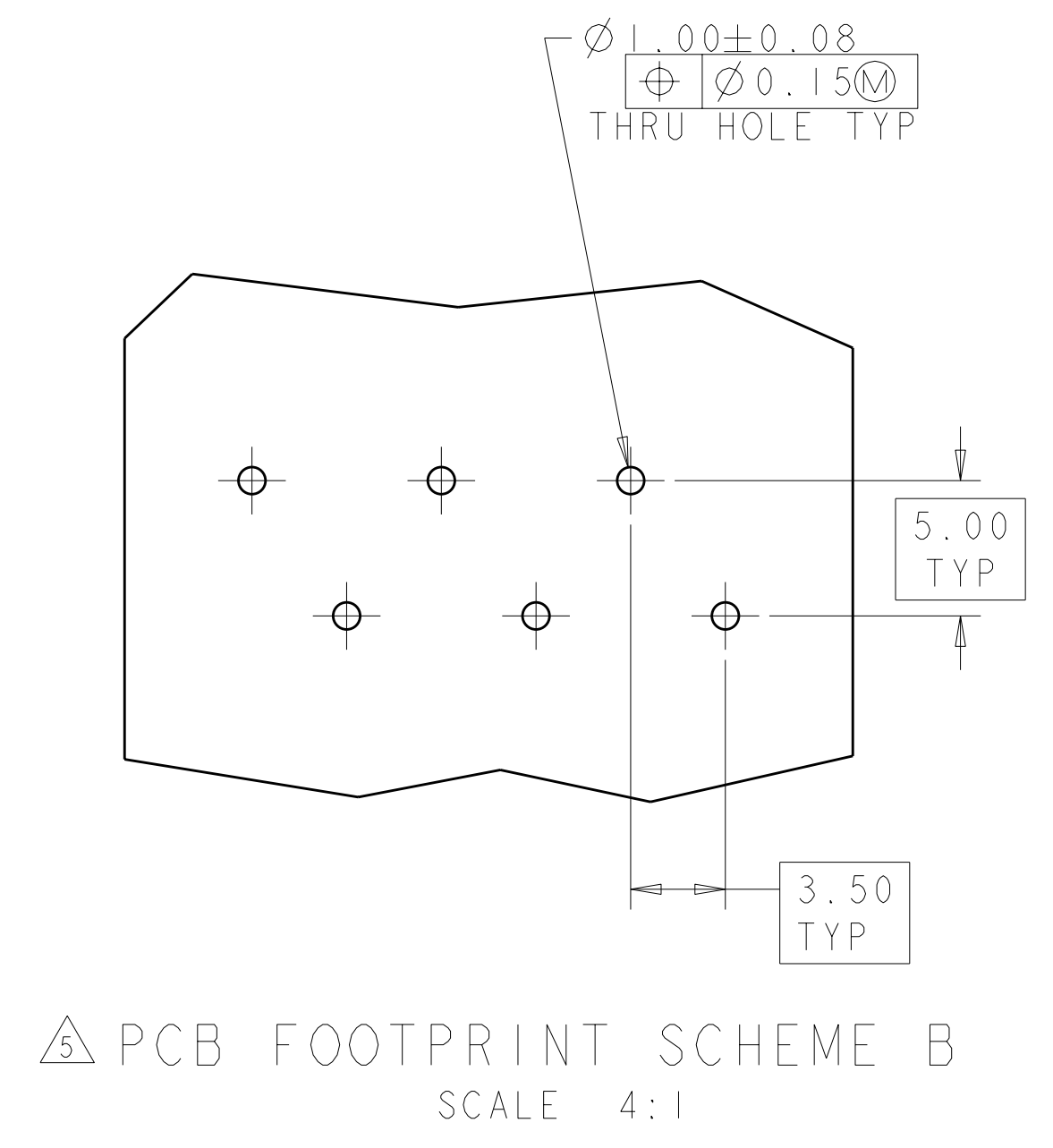
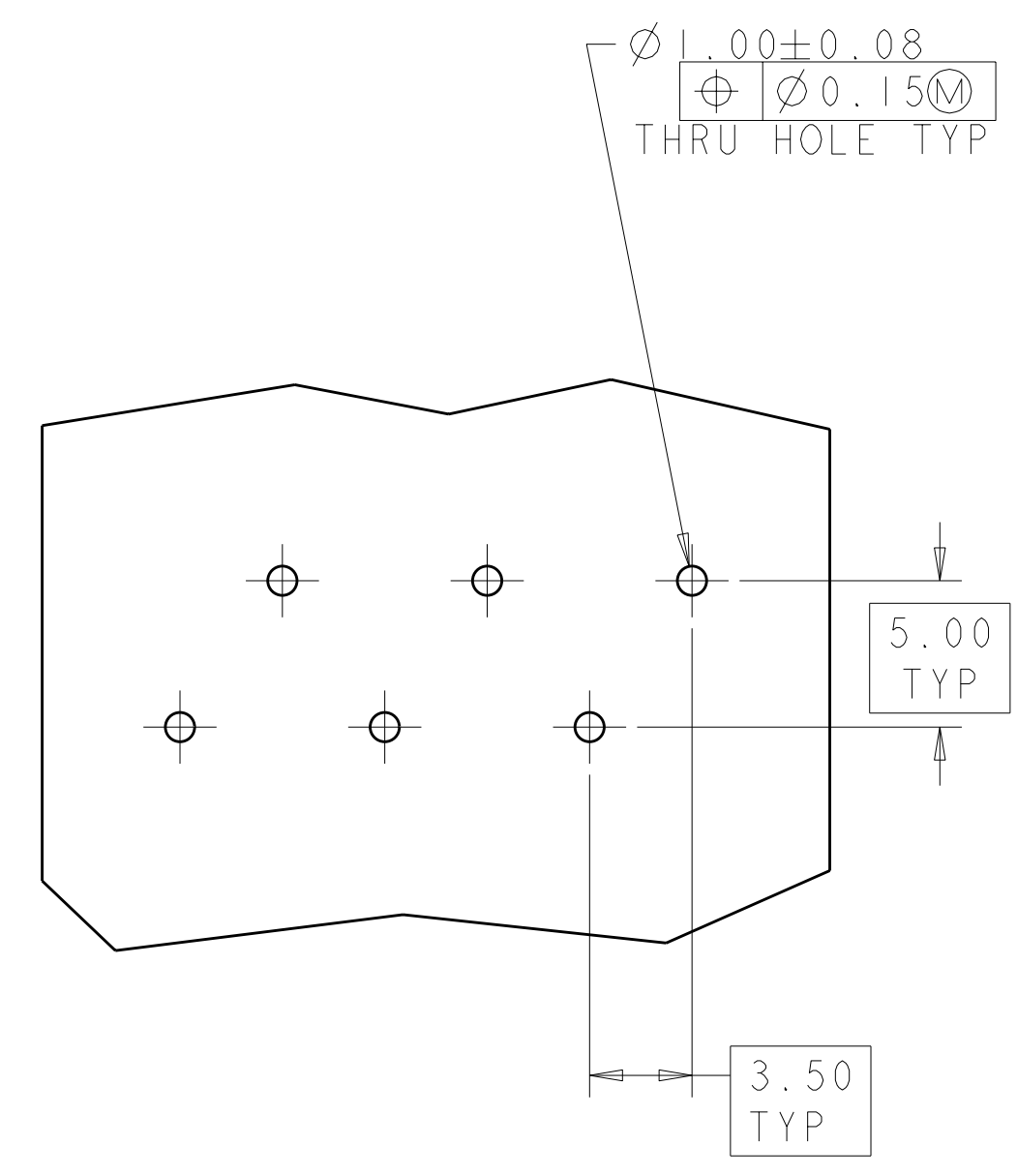
SCALE 4:1

1. TYPICAL CONNECTOR AS SHOWN ON THIS SHEET. SEE SHEET 2 FOR CONNECTOR PART NO WITH SELECT CONTACT LOADING, AND COLOR CODED LABELING.
2. MATERIAL; HOUSING: NYLON, ULV0 RATED; COLOR, NATURAL CONTACTS: PHOSPHOR BRONZE.
3. FINISH: CONTACTS: PREPLATED TIN, 2.5um MIN OVER 0.76um MIN NICKEL. CONTACT EDGES WILL BE UNPLATED.
4. ACCEPTABLE WIRE SIZE: 18AWG SOLID, 2.35 MAX INSULATION DIAMETER, 9.50±1.00 STRIP LENGTH
5. THE PCBs ARE VIEWED FROM THE CONNECTOR MOUNTING SIDE. CONNECTOR IS DESIGNED FOR USE IN A 1.575±0.178 THICK PCB.
6. CONNECTOR CAN BE USED IN COMBINATION WITH WIRE STRAIN RELIEF COVER, PART NOS 1604957-1 AND 1604957-2.

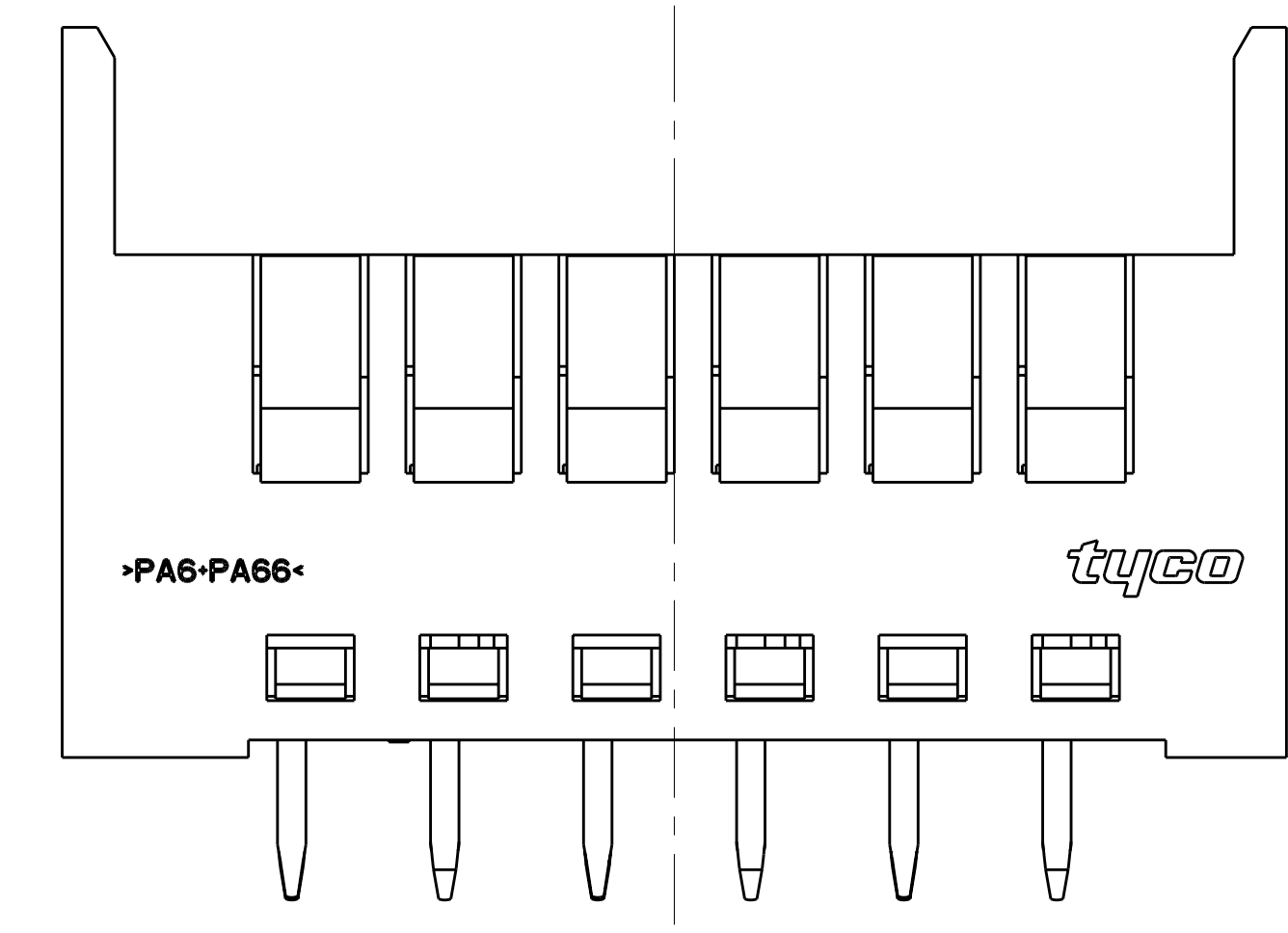


△ COLOR TEXT SHOWN FOR REFERENCE ONLY. POSITION 1 WILL HAVE NUMERAL 1. SEE TABLE ON SHEET 2 FOR COLOR CODE.

8. RoHS COMPLIANT.



LOC	DIST	REV	DESCRIPTION	DATE	DWN	APVD
-	-	1	PROPOSED	02JUN05	CGD	NP
-	-	2	ADD RoHS COMPLIANT AND ULV0 RATING NOTES	01OCT2006	WM	NP
-	-	-	-	-	-	-
-	-	-	-	-	-	-



TYCO ELECTRONICS  
 CONFIDENTIAL  
 AND PROPRIETARY

PROPOSED DESIGN  
 NOT PRODUCTION TOOLED

DESIGN IS SUBJECT TO  
 CHANGE WITHOUT NOTICE

1877086-8
1877086-7
1877086-6
1877086-5
1877086-4
1877086-3
1877086-2
1877086-1
PART NO

DIMENSIONS: mm 		TOLERANCES UNLESS OTHERWISE SPECIFIED: 0 PLC ± 1 PLC ±0.13 3 PLC ± 4 PLC ± ANGLES ± FINISH -		DWN C. DAILY 02JUN05 CHK N. PATEL 02JUN05 APVD -		Tyco Electronics Harrisburg, PA 17105-3608	
MATERIAL -		PRODUCT SPEC - APPLICATION SPEC -		NAME - ASSEMBLY, 8 SEGMENT, EXTERNAL BALLAST CONNECTOR		RESTRICTED TO	
CUSTOMER DRAWING		WEIGHT -		SIZE CAGE CODE DRAWING NO A11 00779 C=1877086		SCALE 6:1 SHEET 1 OF 2 REV 2	

