



Chipsmall Limited consists of a professional team with an average of over 10 year of expertise in the distribution of electronic components. Based in Hongkong, we have already established firm and mutual-benefit business relationships with customers from,Europe,America and south Asia,supplying obsolete and hard-to-find components to meet their specific needs.

With the principle of “Quality Parts,Customers Priority,Honest Operation,and Considerate Service”,our business mainly focus on the distribution of electronic components. Line cards we deal with include Microchip,ALPS,ROHM,Xilinx,Pulse,ON,Everlight and Freescale. Main products comprise IC,Modules,Potentiometer,IC Socket,Relay,Connector.Our parts cover such applications as commercial,industrial, and automotives areas.

We are looking forward to setting up business relationship with you and hope to provide you with the best service and solution. Let us make a better world for our industry!



## Contact us

Tel: +86-755-8981 8866 Fax: +86-755-8427 6832

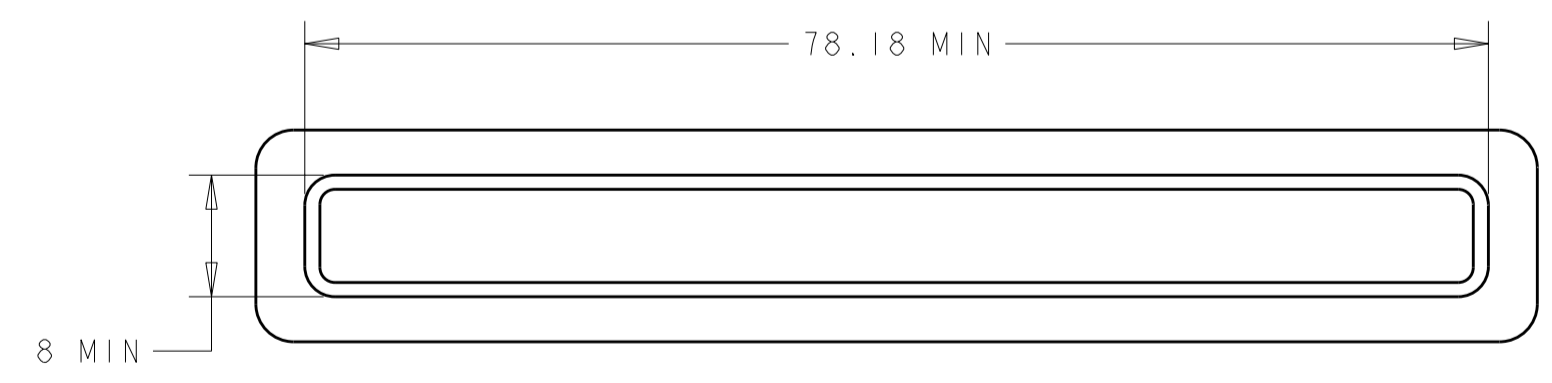
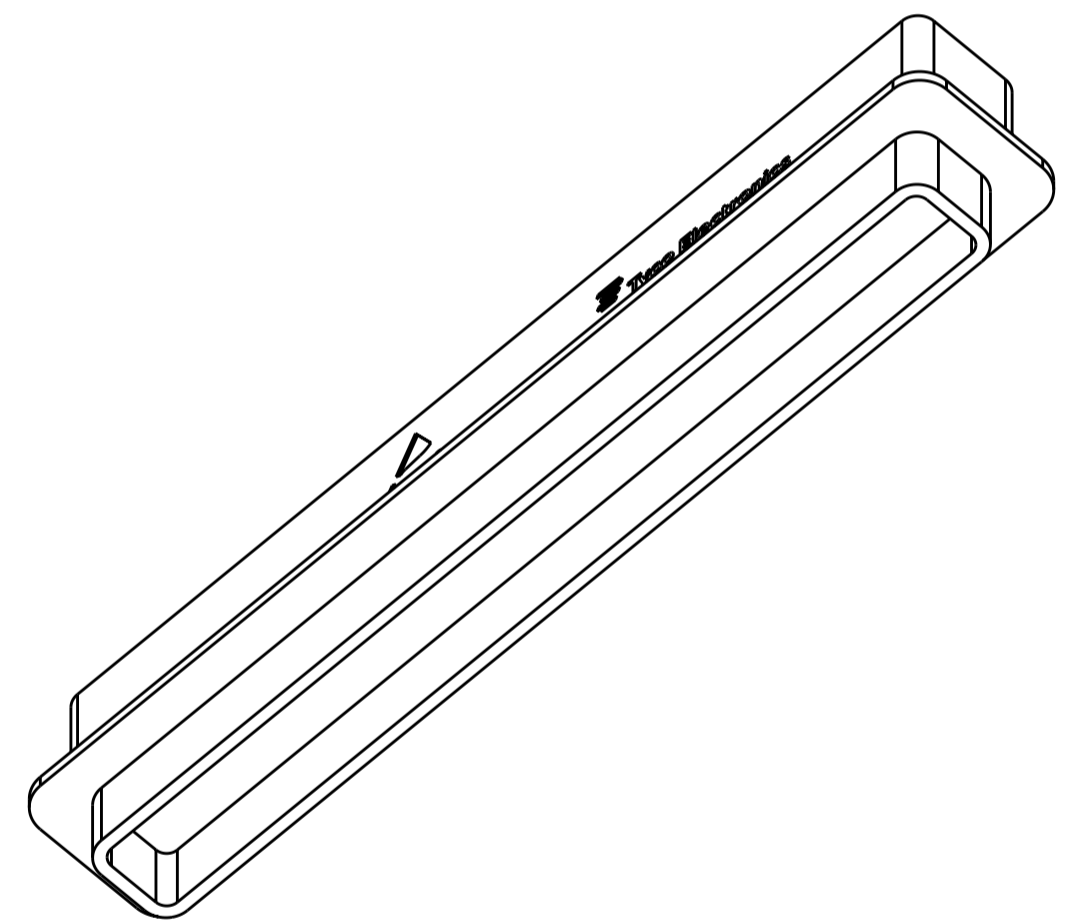
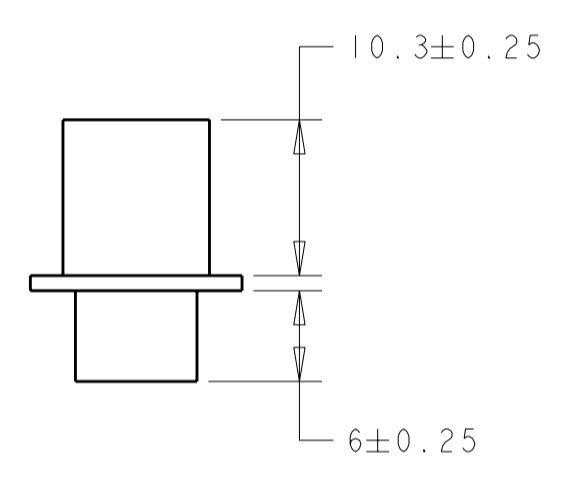
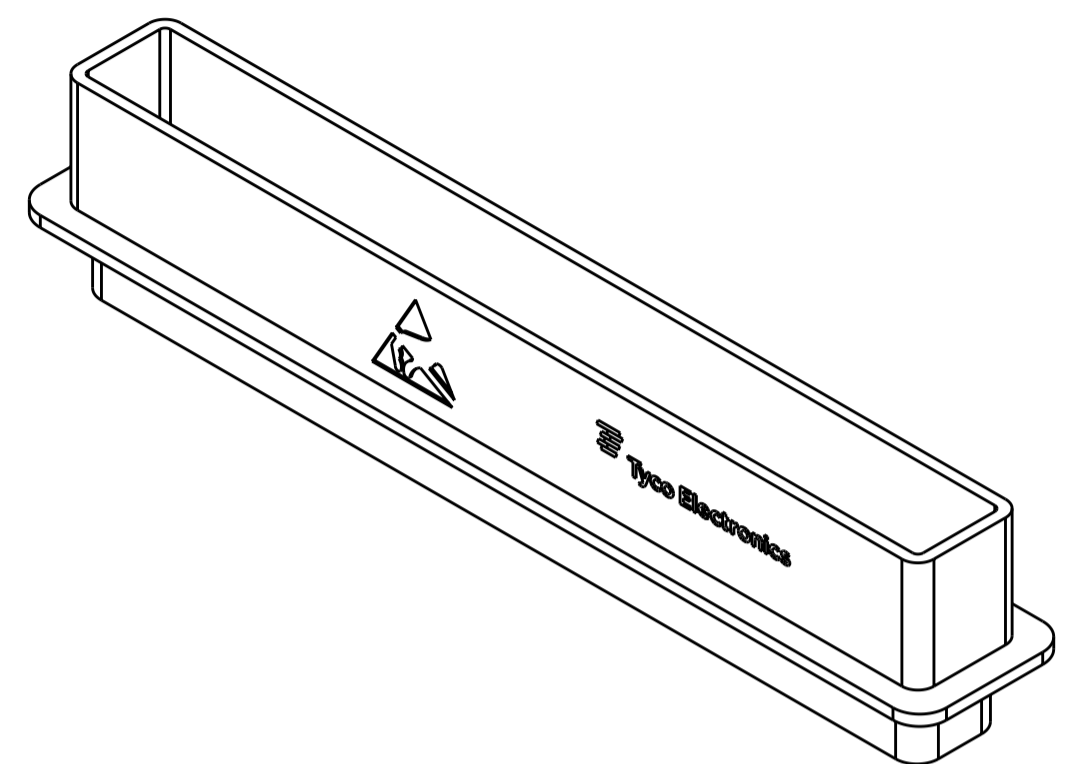
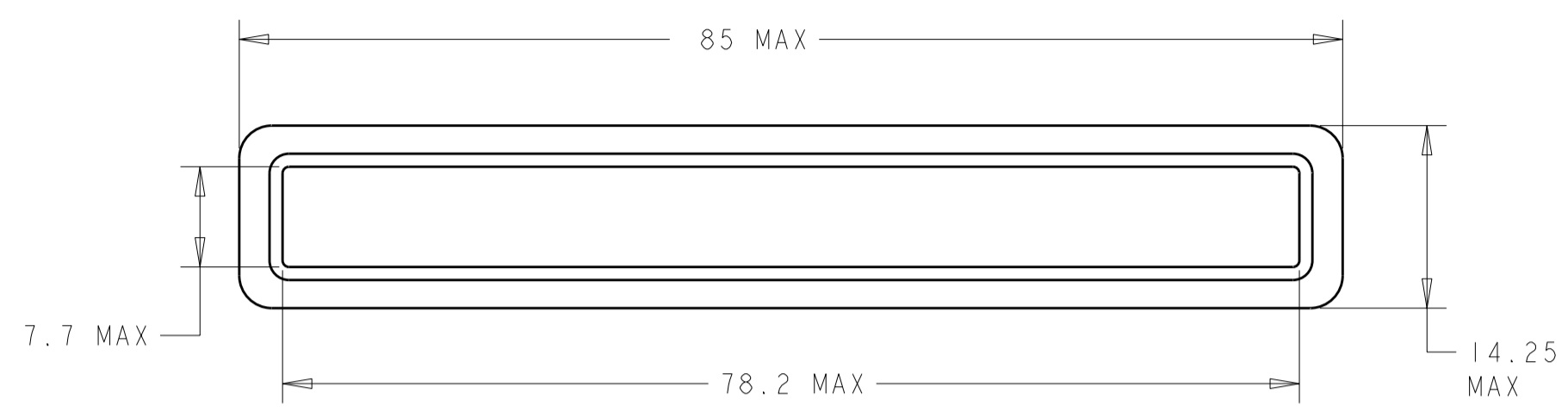
Email & Skype: info@chipsmall.com Web: www.chipsmall.com

Address: A1208, Overseas Decoration Building, #122 Zhenhua RD., Futian, Shenzhen, China



THIS DRAWING IS UNPUBLISHED. RELEASED FOR PUBLICATION 20  
 © COPYRIGHT 20 BY TYCO ELECTRONICS CORPORATION. ALL RIGHTS RESERVED.

| LOC | DIST | REVISIONS                  |           |     |      |
|-----|------|----------------------------|-----------|-----|------|
| P   | LTR  | DESCRIPTION                | DATE      | DWN | APVD |
|     | A    | RELEASED PER ECO-09-013817 | 08JUL2009 | RCF | JM   |
|     | B    | REVISED PER ECO-09-017961  | 30JUL2009 | RCF | JM   |



ANTI-STATIC THERMOPLASTIC ELASTOMER PER ASTM D5593, COLOR: BLACK.

1877519-1  
PART NUMBER

|   |            |                             |                               |                       |
|---|------------|-----------------------------|-------------------------------|-----------------------|
| THIS DRAWING IS A CONTROLLED DOCUMENT FOR TYCO ELECTRONICS CORPORATION. IT IS SUBJECT TO CHANGE AND THE CONTROLLING ENGINEERING ORGANIZATION SHOULD BE CONTACTED FOR THE LATEST REVISION. |            | DWN: BH 22NOV2005           | <b>tyco</b> Tyco Electronics  |                       |
| DIMENSIONS: mm  |            | CHK: JPM 22NOV2005          | Harrisburg, PA 17105-3608     |                       |
| TOLERANCES UNLESS OTHERWISE SPECIFIED:  |            | APVD: JPM 22NOV2005         | NAME: DUST COVER, 24 POSITION |                       |
| 0 PLC ±0.15   | 1 PLC ±0.1 | PRODUCT SPEC: 108-2247      | SIZE: A200779                 | DRAWING NO: C-1877519 |
| 2 PLC ±0.05   | 3 PLC ±    | APPLICATION SPEC: 114-13192 | SCALE: 2:1                    | SHEET 1 OF 1          |
| 4 PLC ±   | ANGLES ±1  | WEIGHT: -                   | RESTRICTED TO: -              |                       |
| MATERIAL:   | FINISH: -  | CUSTOMER DRAWING            |                               | REV: B                |