



Chipsmall Limited consists of a professional team with an average of over 10 year of expertise in the distribution of electronic components. Based in Hongkong, we have already established firm and mutual-benefit business relationships with customers from,Europe,America and south Asia,supplying obsolete and hard-to-find components to meet their specific needs.

With the principle of “Quality Parts,Customers Priority,Honest Operation,and Considerate Service”,our business mainly focus on the distribution of electronic components. Line cards we deal with include Microchip,ALPS,ROHM,Xilinx,Pulse,ON,Everlight and Freescale. Main products comprise IC,Modules,Potentiometer,IC Socket,Relay,Connector.Our parts cover such applications as commercial,industrial, and automotives areas.

We are looking forward to setting up business relationship with you and hope to provide you with the best service and solution. Let us make a better world for our industry!



Contact us

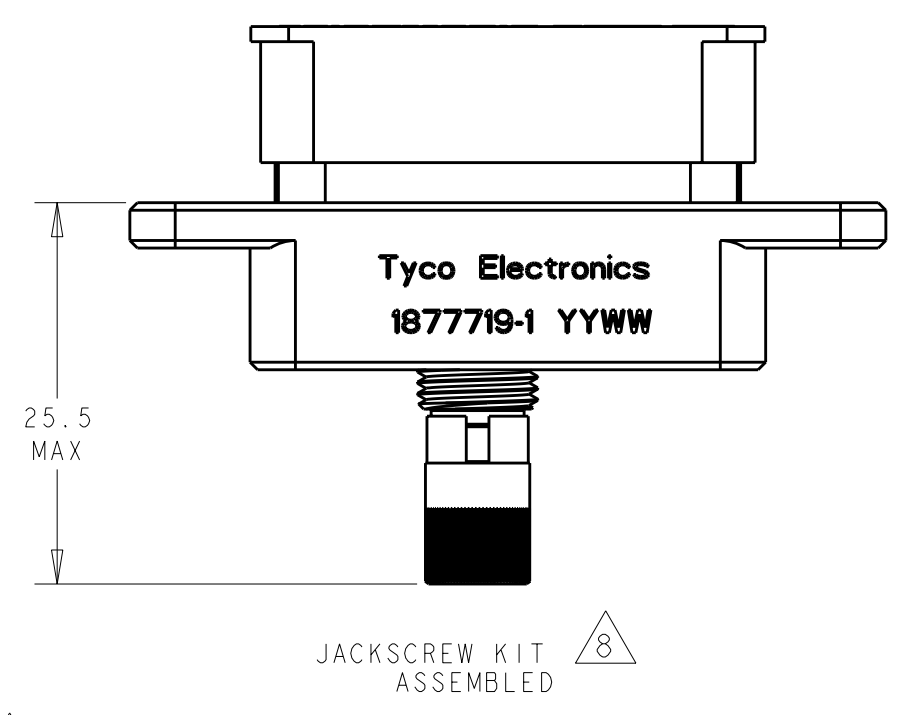
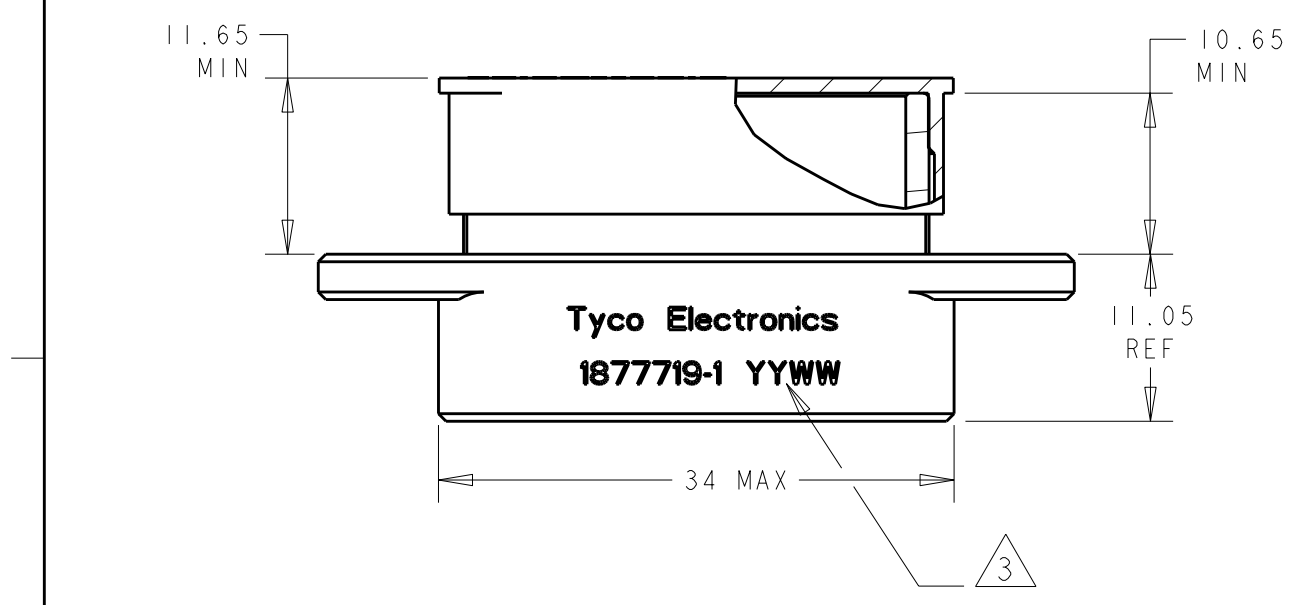
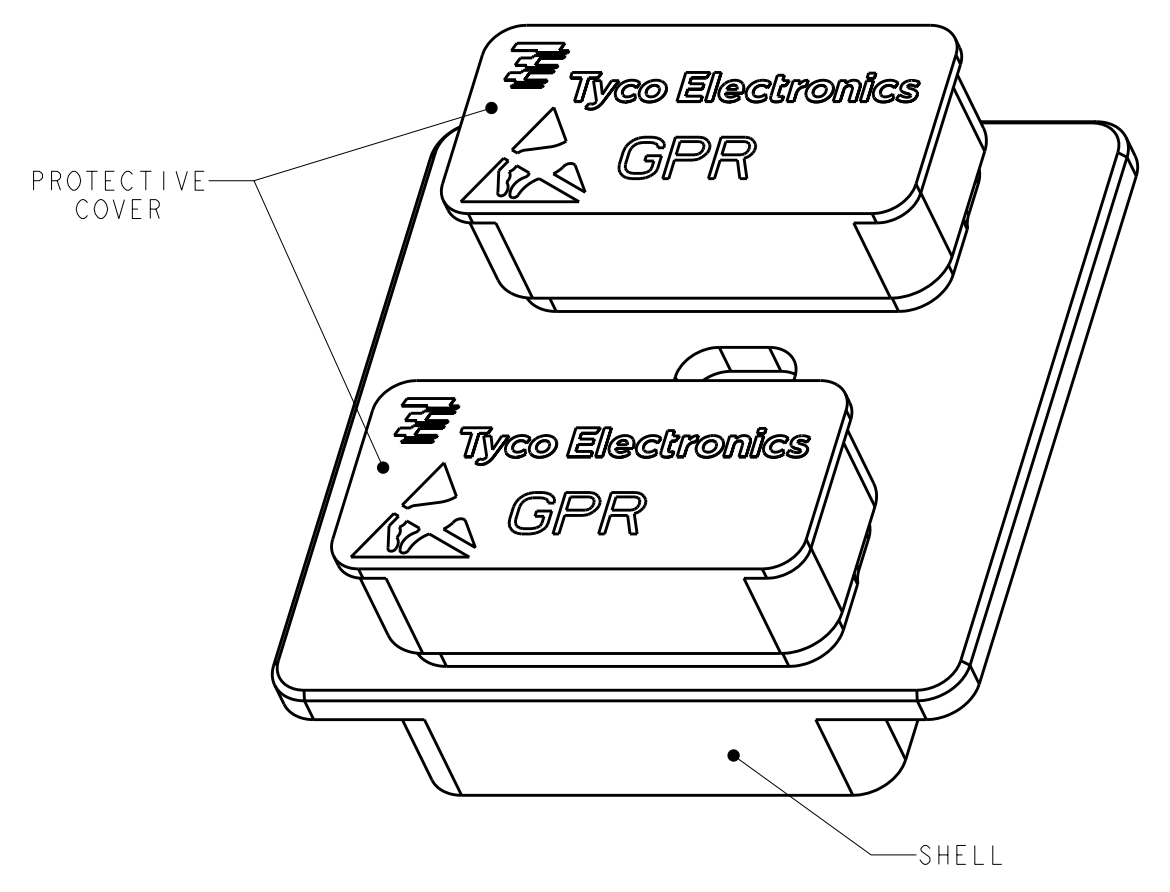
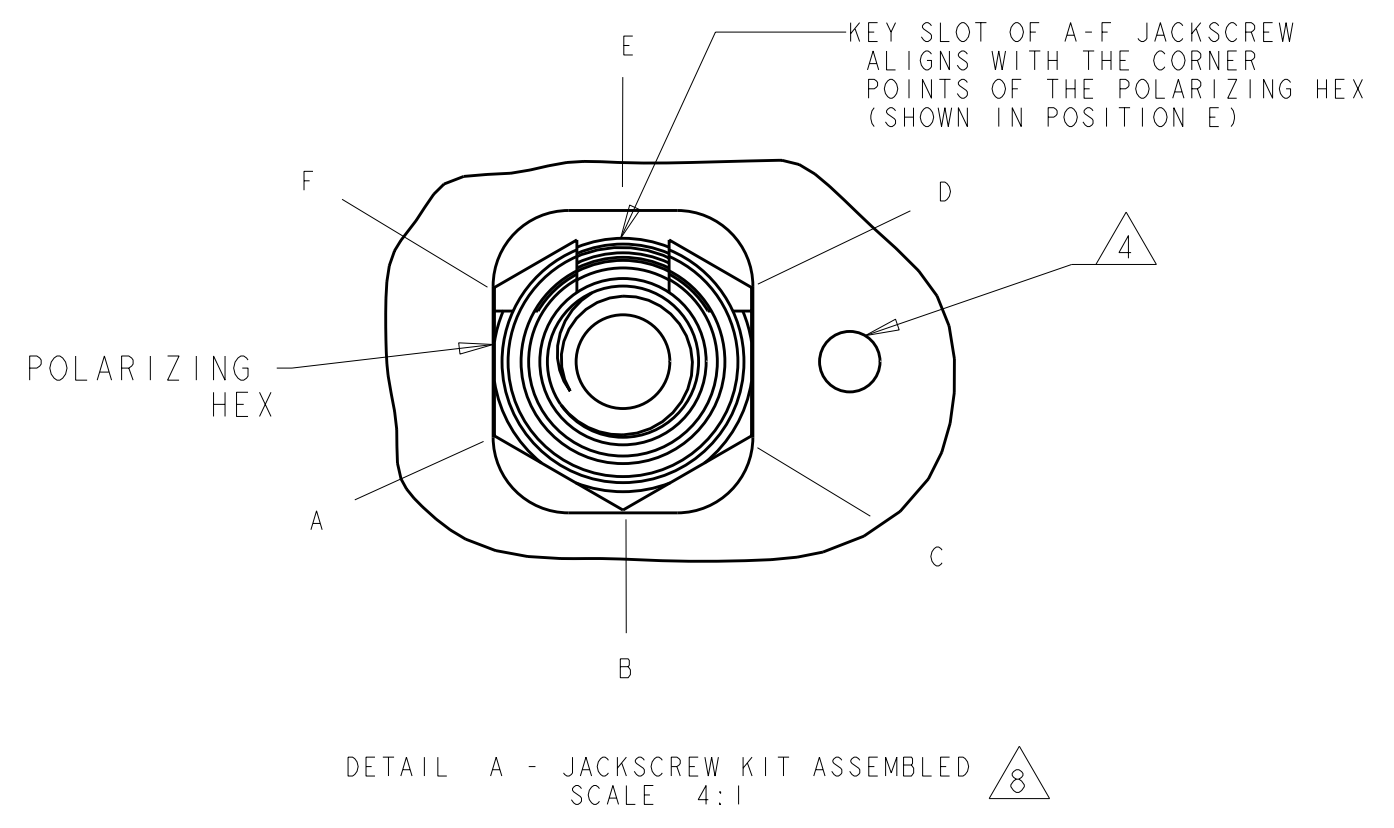
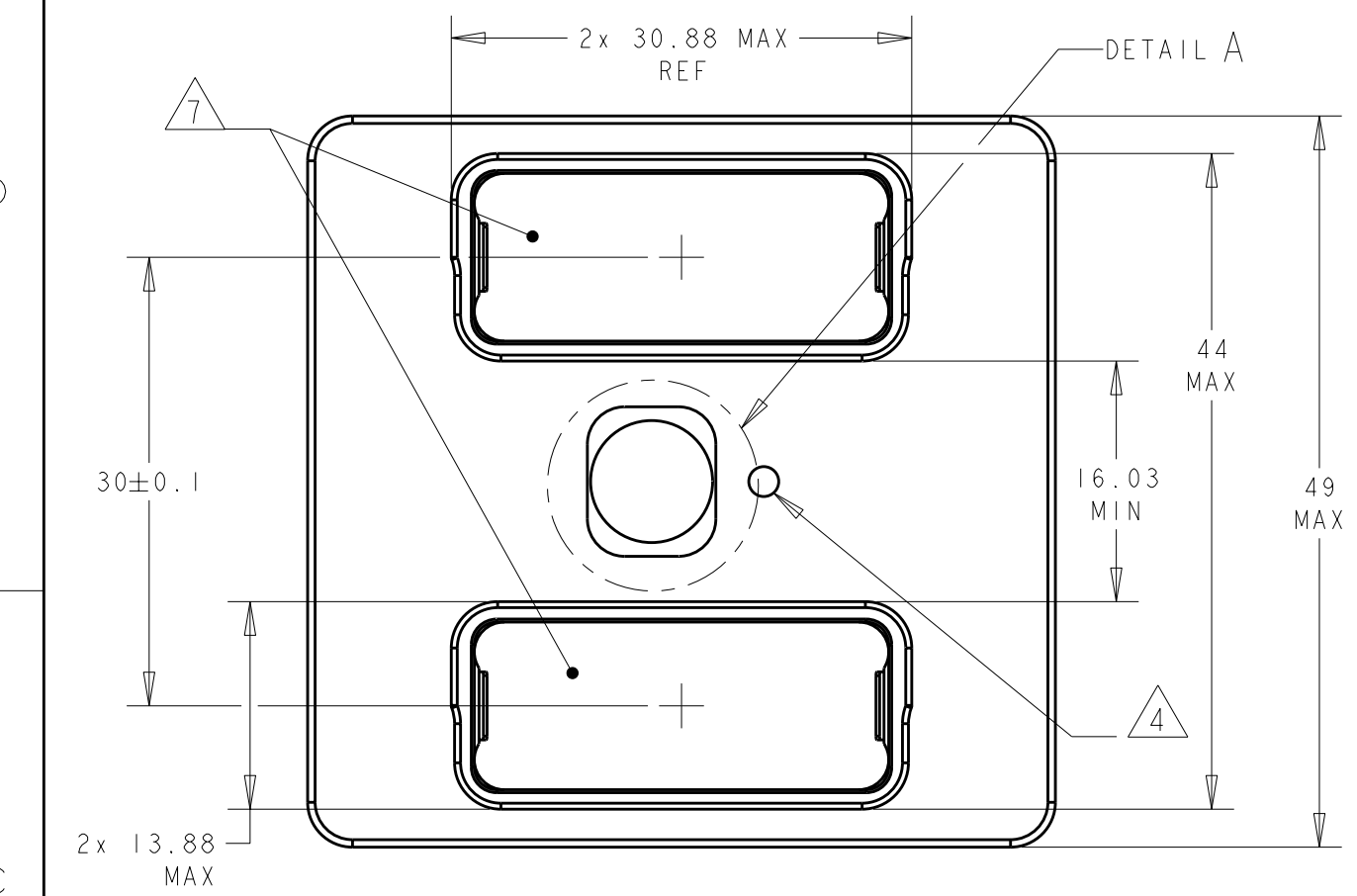
Tel: +86-755-8981 8866 Fax: +86-755-8427 6832

Email & Skype: info@chipsmall.com Web: www.chipsmall.com

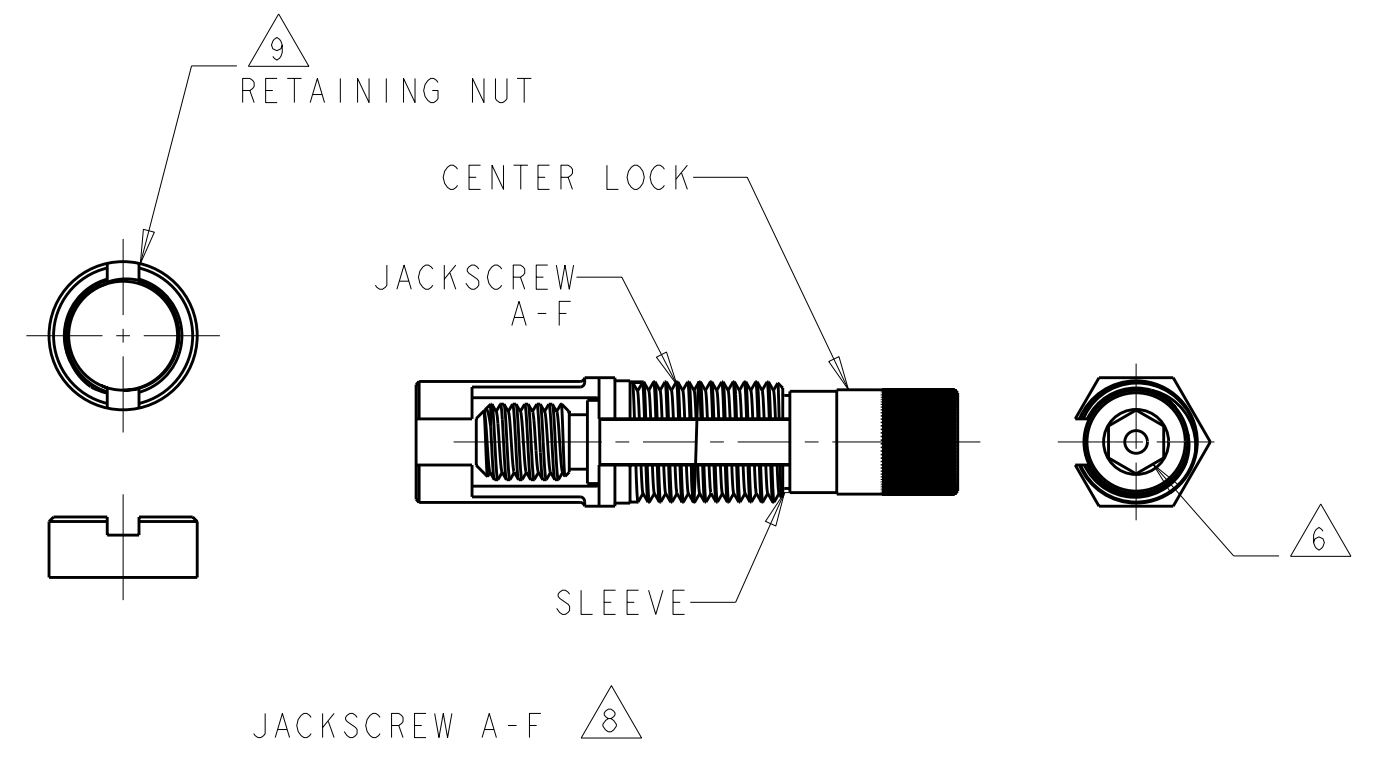
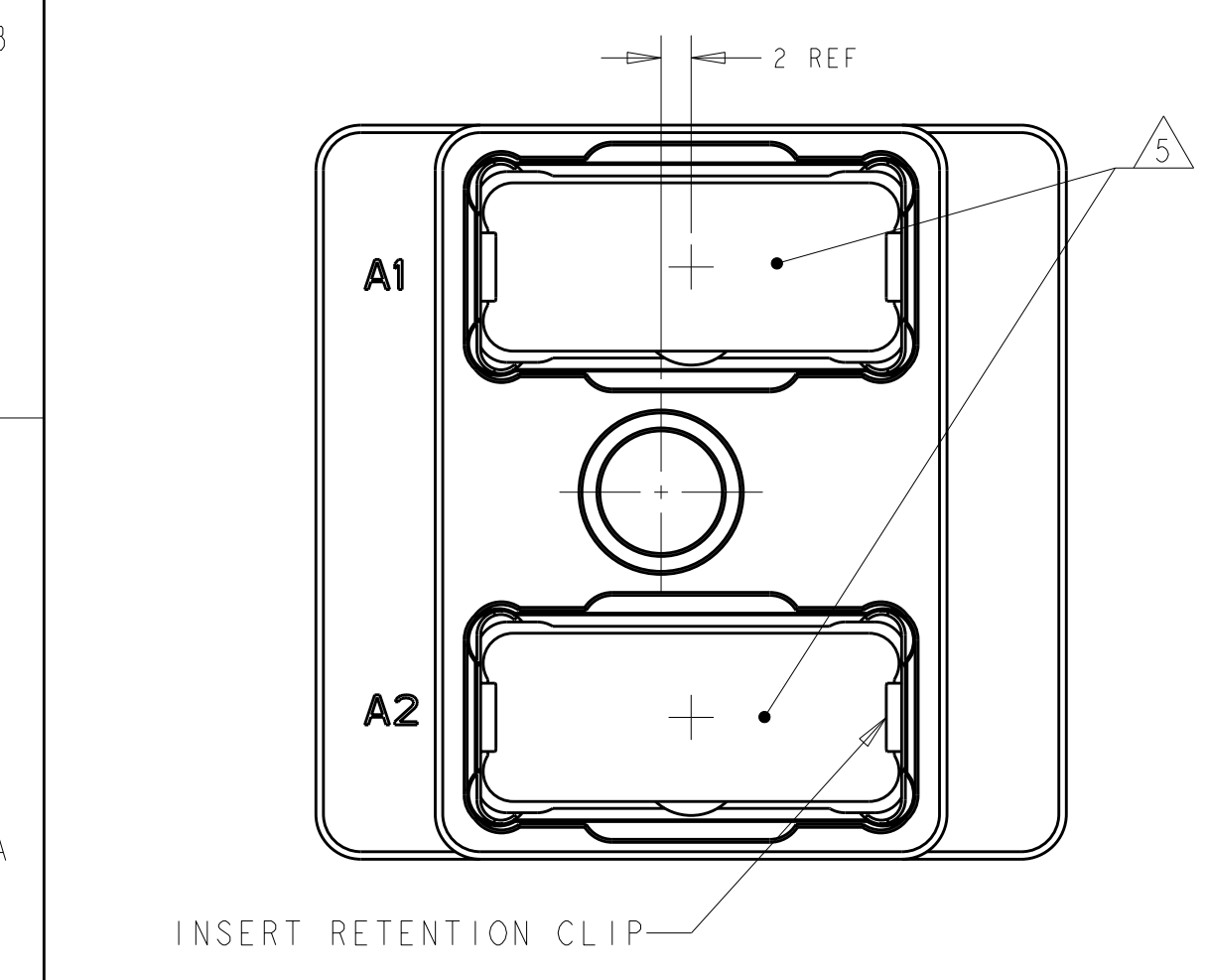
Address: A1208, Overseas Decoration Building, #122 Zhenhua RD., Futian, Shenzhen, China



LOC	DIST	REVISIONS			
P	LTR	DESCRIPTION	DATE	DWN	APVD
DF	A5				
A		REV PER ECO-06-020475	05SEP2006	RCF	JPM
B		REVISED PER ECO-10-009274	20APR2010	RF	JM



- 1 SHELL: ALUMINUM ALLOY 6061 T651
INSERT RETENTION CLIP & JACKSCREW SLEEVE: COPPER ALLOY PER ASTM B194
JACKSCREW KEY, CENTER LOCK, & RETAINING NUT: STAINLESS STEEL PER AISI 316
PROTECTIVE COVER: ANTI-STATIC THERMOPLASTIC ELASTOMER PER ASTM D5593, COLOR: BLACK
- 2 SHELL: ELECTROLESS NICKEL PER SAE AMS-C-26074, CLASS 1
- 3 DATE CODE - YEAR & WEEK (YY WW)
- 4 INDEXING POINT FOR POLARIZATION
- 5 SHELL CAVITIES FOR GPRB SERIES INSERTS WITH KEYING CODE A
- 6 HEX KEY SLOT FOR 9/64 ALLEN WRENCH
- 7 THE PROTECTIVE COVERS ARE NOT SHOWN FOR CLARITY.
- 8 THE JACKNUT AND RETAINING NUT ARE SHIPPED UNASSEMBLED. THE CUSTOMER SHALL APPLY LOCTITE® PRODUCT 272 THREAD LOCKING ADHESIVE WHEN INSTALLING THESE ON THE SHELL ASSEMBLY. LOCTITE® IS A REGISTERED TRADEMARK OF HENKEL CORPORATION.
- 9 A SPANNER WRENCH TOOL, TYCO ELECTRONICS P/N 1738220-1 (WITH 1/4-IN ADAPTER) OR 1738221-1 (WITH T-HANDLE), IS USED TO LOCK THE RETAINING NUT. RECOMMENDED TORQUE: 1.5 N·m (13 in-lb).
- 10. THIS PRODUCT IS SOLD BY TYCO ELECTRONICS UNDER LICENSE FROM RADIAL SA.



1877719-1
PART NUMBER

THIS DRAWING IS A CONTROLLED DOCUMENT FOR TYCO ELECTRONICS CORPORATION. IT IS SUBJECT TO CHANGE AND THE CONTROLLING ENGINEERING ORGANIZATION SHOULD BE CONTACTED FOR THE LATEST REVISION.		DWN	BW	31JAN06	Tyco Electronics Harrisburg, PA 17105-3608
DIMENSIONS:		CHK	JPM	31JAN06	
mm		APVD	JPM	31JAN06	
TOLERANCES UNLESS OTHERWISE SPECIFIED:		PRODUCT SPEC		NAME	
0 PLC	±0.2	APPLICATION SPEC		PLUG SHELL KIT, VERTICAL, WITH A-F JACKSCREW, GPRB2	
1 PLC	±0.2	WEIGHT		SIZE	
2 PLC	±0.2	CUSTOMER DRAWING		CAGE CODE	
3 PLC	±	SCALE		2:1	
4 PLC	±	SHEET		1 OF 1	
ANGLES	±	REV		B	
FINISH	2	RESTRICTED TO		-	