



Chipsmall Limited consists of a professional team with an average of over 10 year of expertise in the distribution of electronic components. Based in Hongkong, we have already established firm and mutual-benefit business relationships with customers from,Europe,America and south Asia,supplying obsolete and hard-to-find components to meet their specific needs.

With the principle of “Quality Parts,Customers Priority,Honest Operation,and Considerate Service”,our business mainly focus on the distribution of electronic components. Line cards we deal with include Microchip,ALPS,ROHM,Xilinx,Pulse,ON,Everlight and Freescale. Main products comprise IC,Modules,Potentiometer,IC Socket,Relay,Connector.Our parts cover such applications as commercial,industrial, and automotives areas.

We are looking forward to setting up business relationship with you and hope to provide you with the best service and solution. Let us make a better world for our industry!



Contact us

Tel: +86-755-8981 8866 Fax: +86-755-8427 6832

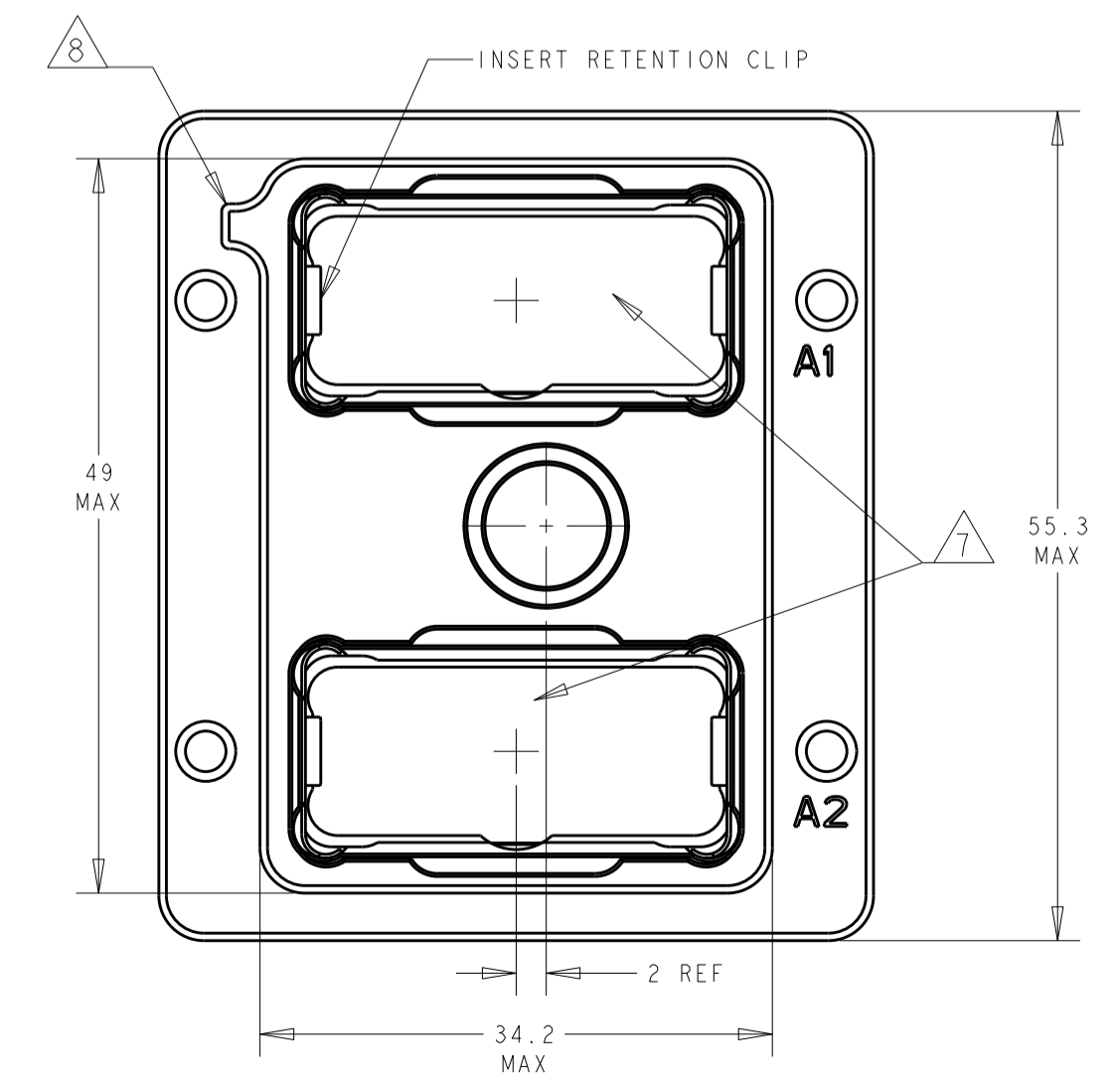
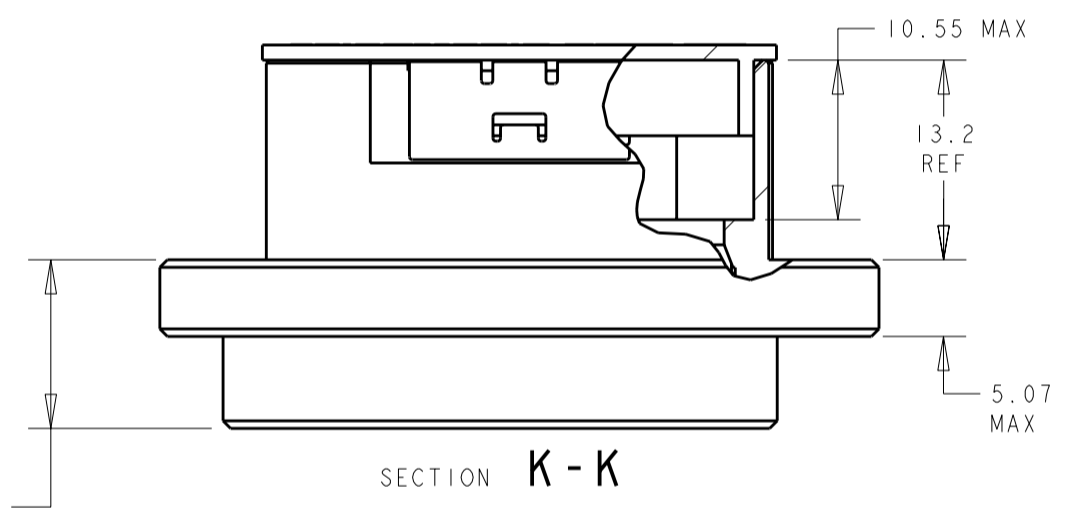
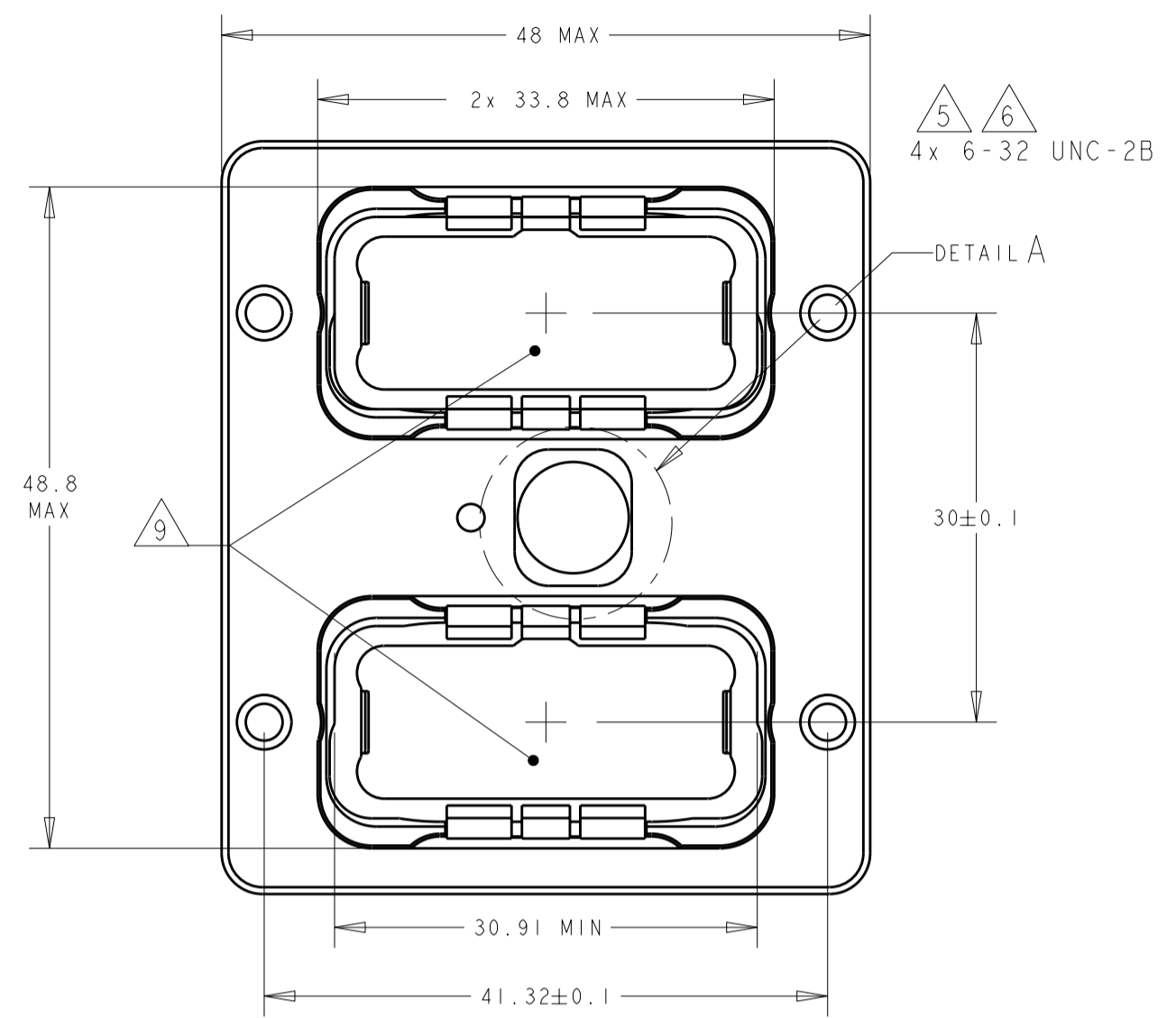
Email & Skype: info@chipsmall.com Web: www.chipsmall.com

Address: A1208, Overseas Decoration Building, #122 Zhenhua RD., Futian, Shenzhen, China

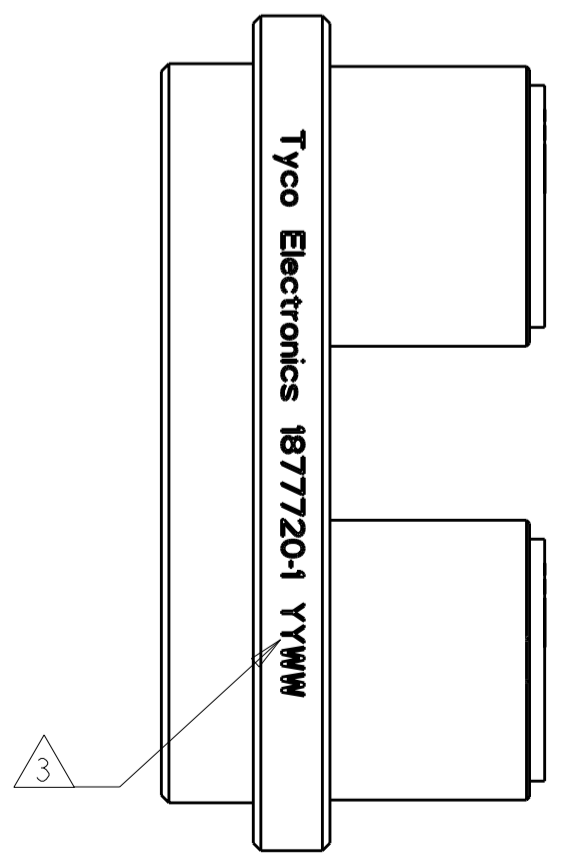
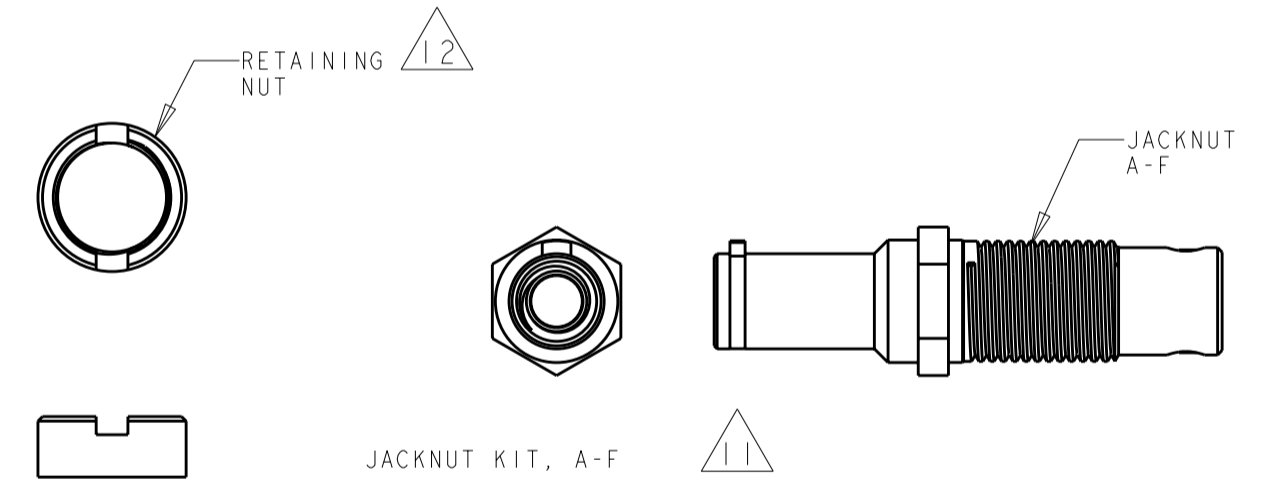
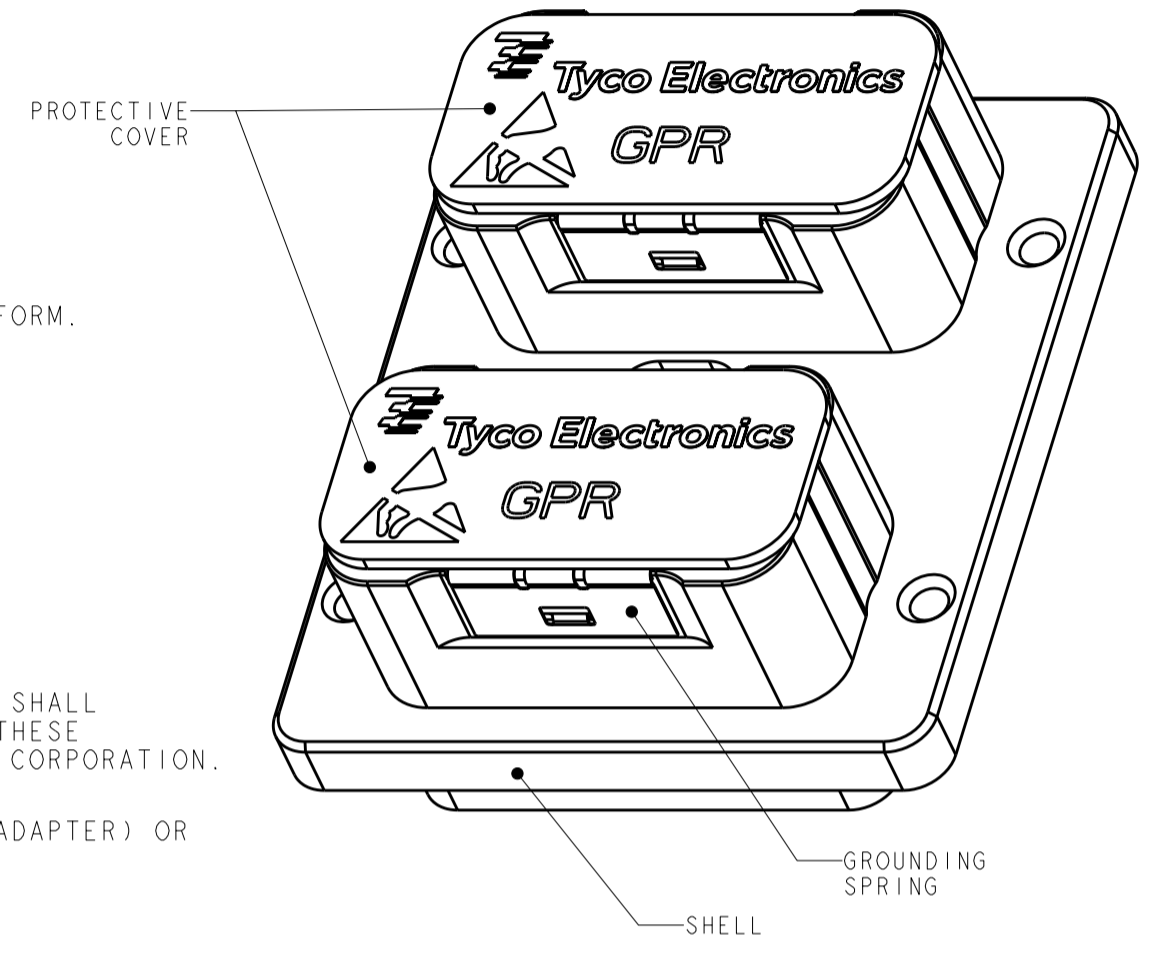


THIS DRAWING IS UNPUBLISHED. RELEASED FOR PUBLICATION 20
 © COPYRIGHT 20 BY TYCO ELECTRONICS CORPORATION. ALL RIGHTS RESERVED.

| REVISIONS | | | | | |
|-----------|-----|---------------------------|-----------|-----|------|
| P | LTR | DESCRIPTION | DATE | DWN | APVD |
| A | | REV PER ECO-06-020475 | 05SEP2006 | RCF | JPM |
| B | | REVISED PER ECO-10-009274 | 20APR2010 | RF | JM |



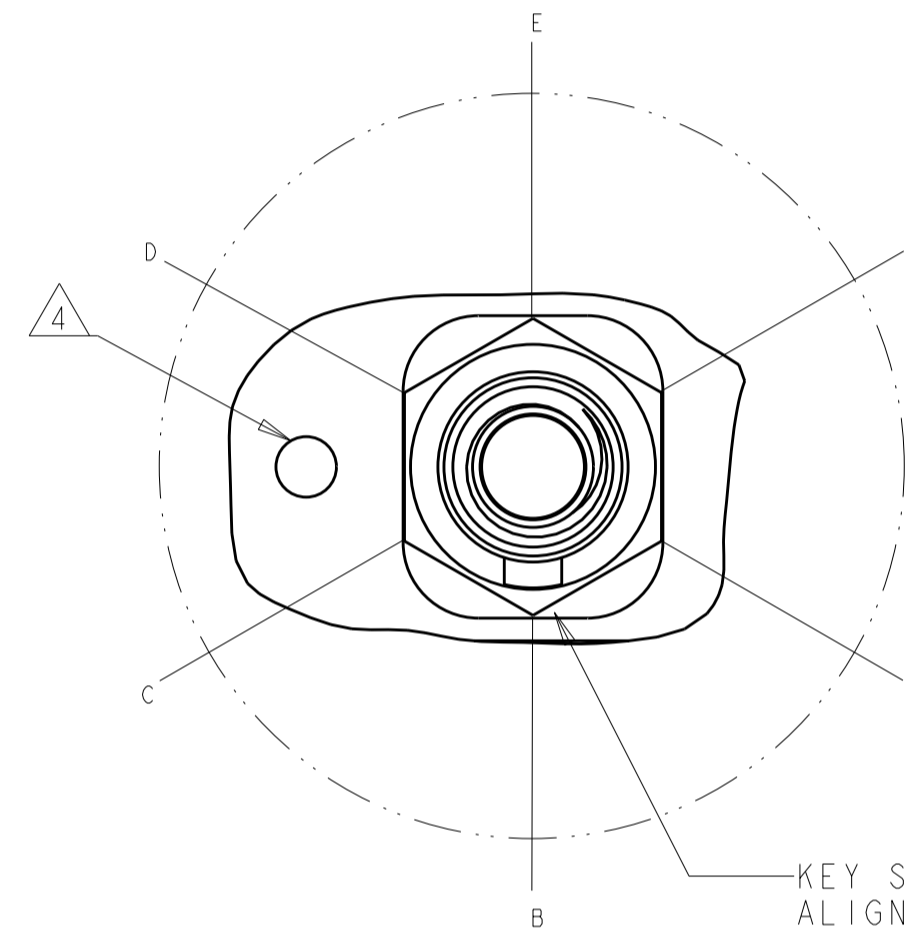
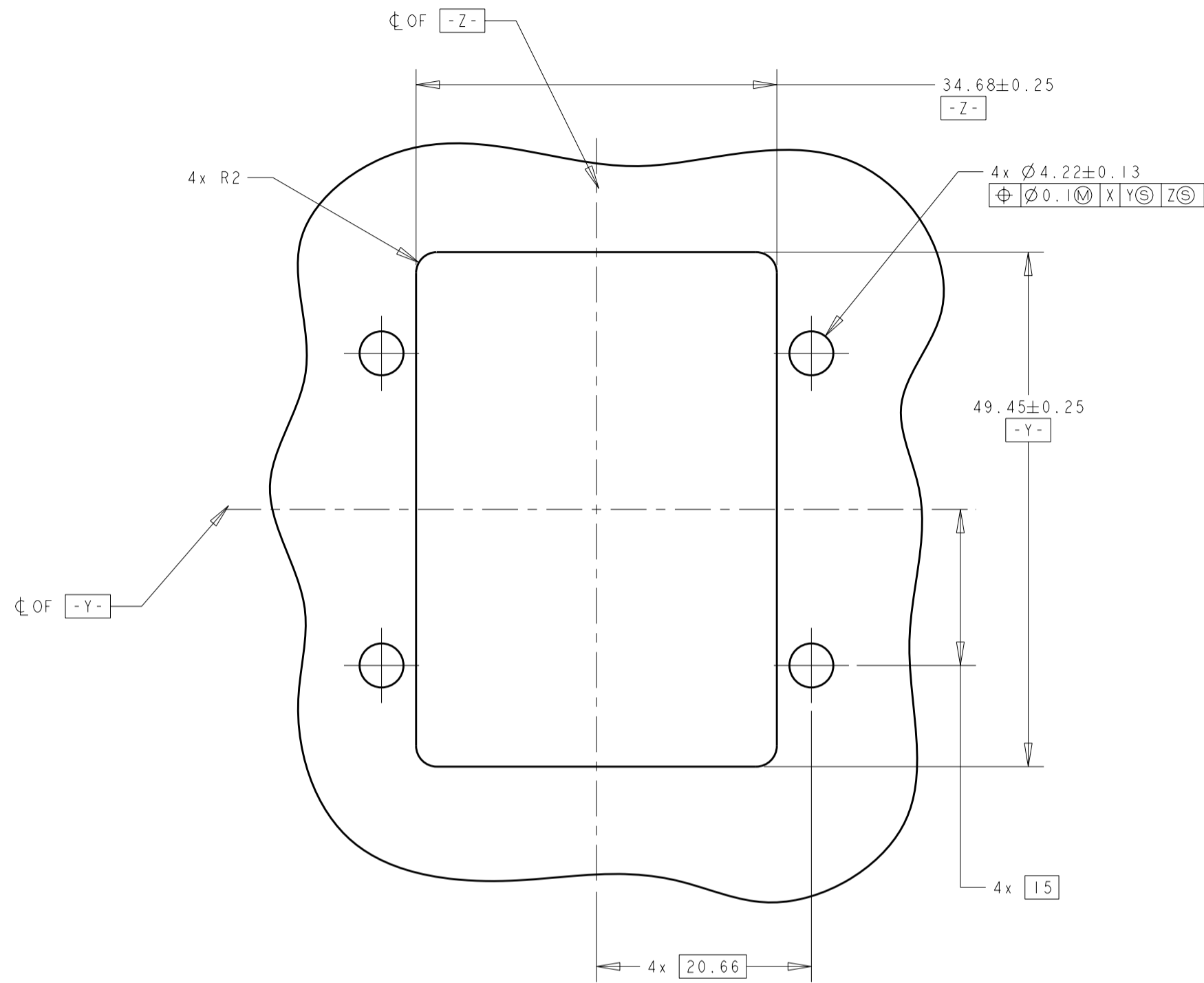
- 1 SHELL: ALUMINUM ALLOY 6061 T651
 INSERT RETENTION CLIP & GROUNDING SPRING: COPPER ALLOY PER ASTM B194
 JACKNUT & RETAINING NUT: STAINLESS STEEL PER AISI 316
 JACKNUT SPRING: STAINLESS STEEL PER AISI 302
 PROTECTIVE COVER: ANTI-STATIC THERMOPLASTIC ELASTOMER PER ASTM D5593, COLOR: BLACK.
- 2 SHELL: ELECTROLESS NICKEL PER SAE AMS-C-26074, CLASS 1
 GROUNDING SPRING: ELECTROLYTIC NICKEL PER SAE AMS-QQ-290
- 3 DATE CODE - YEAR & WEEK (YY WW).
- 4 INDEXING POINT FOR POLARIZATION.
- 5 6-32 SCREWS ARE REQUIRED FOR PANEL MOUNTING (NOT INCLUDED).
 SCREW HEAD DIAMETER: 8.5 MAX
 RECOMMENDED TORQUE 1.1 N·m [10 in-lb] MIN
- 6 6-32 THREADED HOLES ARE SELF-LOCKING, HAVING THE SPIRALOCK® THREAD FORM.
 SPIRALOCK® IS A REGISTERED TRADEMARK OF SPIRALOCK CORPORATION.
- 7 SHELL CAVITY FOR GPRB SERIES INSERTS WITH KEYING CODE A.
- 8 POLARIZATION FEATURE TO PREVENT FRONT PANEL MOUNTING.
- 9 PROTECTIVE COVER NOT SHOWN FOR CLARITY.
- 10 PANEL THICKNESS: 5 MAX
- 11 THE JACKNUT AND RETAINING NUT ARE SHIPPED UNASSEMBLED. THE CUSTOMER SHALL
 APPLY LOCTITE® PRODUCT 272 THREAD LOCKING ADHESIVE WHEN INSTALLING THESE
 ON THE SHELL ASSEMBLY. LOCTITE® IS A REGISTERED TRADEMARK OF HENKEL CORPORATION.
- 12 A SPANNER WRENCH TOOL, TYCO ELECTRONICS P/N 1738220-1 (WITH 1/4-IN ADAPTER) OR
 1738221-1 (WITH T-HANDLE), IS USED TO LOCK THE RETAINING NUT.
 RECOMMENDED TORQUE: 1.5 N·m [13 in-lb).
- 13. PITCH FOR SIDE-BY-SIDE MOUNTING: 55.8mm MIN.
- 14. THIS PRODUCT IS SOLD BY TYCO ELECTRONICS UNDER A LICENSE FROM RADIAL SA.



| | | | | | |
|--|---|-------------------|-----------------------|---|--|
| THIS DRAWING IS A CONTROLLED DOCUMENT FOR TYCO ELECTRONICS CORPORATION IT IS SUBJECT TO CHANGE AND THE CONTROLLING ENGINEERING ORGANIZATION SHOULD BE CONTACTED FOR THE LATEST REVISION. | | DWN BW | 24MAY2005 | Tyco Electronics Harrisburg, PA 17105-3608 | NAME RECEPTACLE SHELL KIT, VERTICAL, REAR PANEL MOUNT, WITH A-F JACKNUT, GPRB2 |
| DIMENSIONS: mm | | CHK JPM | 24MAY2005 | | |
| TOLERANCES UNLESS OTHERWISE SPECIFIED: | | APVD JPM | 24MAY2005 | | |
| 0 PLC ±0.2 1 PLC ±0.2 2 PLC ±0.2 3 PLC ± 4 PLC ± ANGLES ± FINISH ± | | PRODUCT SPEC - | APPLICATION SPEC - | | |
| MATERIAL 1 | 2 | WEIGHT - | SCALE 1:1 | SIZE A2 | CAGE CODE 00779 |
| CUSTOMER DRAWING | | | DRAWING NO 1877720 | RESTRICTED TO - | REV B |

THIS DRAWING IS UNPUBLISHED. RELEASED FOR PUBLICATION 20
 © COPYRIGHT 20 BY TYCO ELECTRONICS CORPORATION. ALL RIGHTS RESERVED.

| LOC | | DIST | | REVISIONS | | | |
|-----|-----|-------------|------|-----------|------|--|--|
| P | LTR | DESCRIPTION | DATE | DWN | APVD | | |
| - | - | SEE SHEET 1 | - | - | - | | |



DETAIL A - JACKNUT KIT ASSEMBLED
SCALE 4:1

| | | | | |
|---|--|-------------------|-----------------------|---|
| THIS DRAWING IS A CONTROLLED DOCUMENT FOR TYCO ELECTRONICS CORPORATION. IT IS SUBJECT TO CHANGE AND THE CONTROLLING ENGINEERING ORGANIZATION SHOULD BE CONTACTED FOR THE LATEST REVISION. | | DWN BW | 24MAY2005 | Tyco Electronics Harrisburg, PA 17105-3608 |
| DIMENSIONS: mm | | CHK JPM | 24MAY2005 | |
| TOLERANCES UNLESS OTHERWISE SPECIFIED: 0 PLC ±0.2 1 PLC ±0.2 2 PLC ±0.2 3 PLC ± 4 PLC ± ANGLES ± FINISH | | APVD JPM | 24MAY2005 | NAME RECEPTACLE SHELL KIT, VERTICAL, REAR PANEL MOUNT, WITH A-F JACKNUT, GPRB2 |
| MATERIAL | | PRODUCT SPEC - | APPLICATION SPEC - | SIZE A2 |
| | | WEIGHT - | CUSTOMER DRAWING | CAGE CODE 00779 |
| | | | | DRAWING NO. 1877720 |
| | | | | RESTRICTED TO - |
| | | | | SCALE 1:1 |
| | | | | SHEET 2 OF 2 |
| | | | | REV B |