



Chipsmall Limited consists of a professional team with an average of over 10 year of expertise in the distribution of electronic components. Based in Hongkong, we have already established firm and mutual-benefit business relationships with customers from,Europe,America and south Asia,supplying obsolete and hard-to-find components to meet their specific needs.

With the principle of “Quality Parts,Customers Priority,Honest Operation,and Considerate Service”,our business mainly focus on the distribution of electronic components. Line cards we deal with include Microchip,ALPS,ROHM,Xilinx,Pulse,ON,Everlight and Freescale. Main products comprise IC,Modules,Potentiometer,IC Socket,Relay,Connector.Our parts cover such applications as commercial,industrial, and automotives areas.

We are looking forward to setting up business relationship with you and hope to provide you with the best service and solution. Let us make a better world for our industry!



Contact us

Tel: +86-755-8981 8866 Fax: +86-755-8427 6832

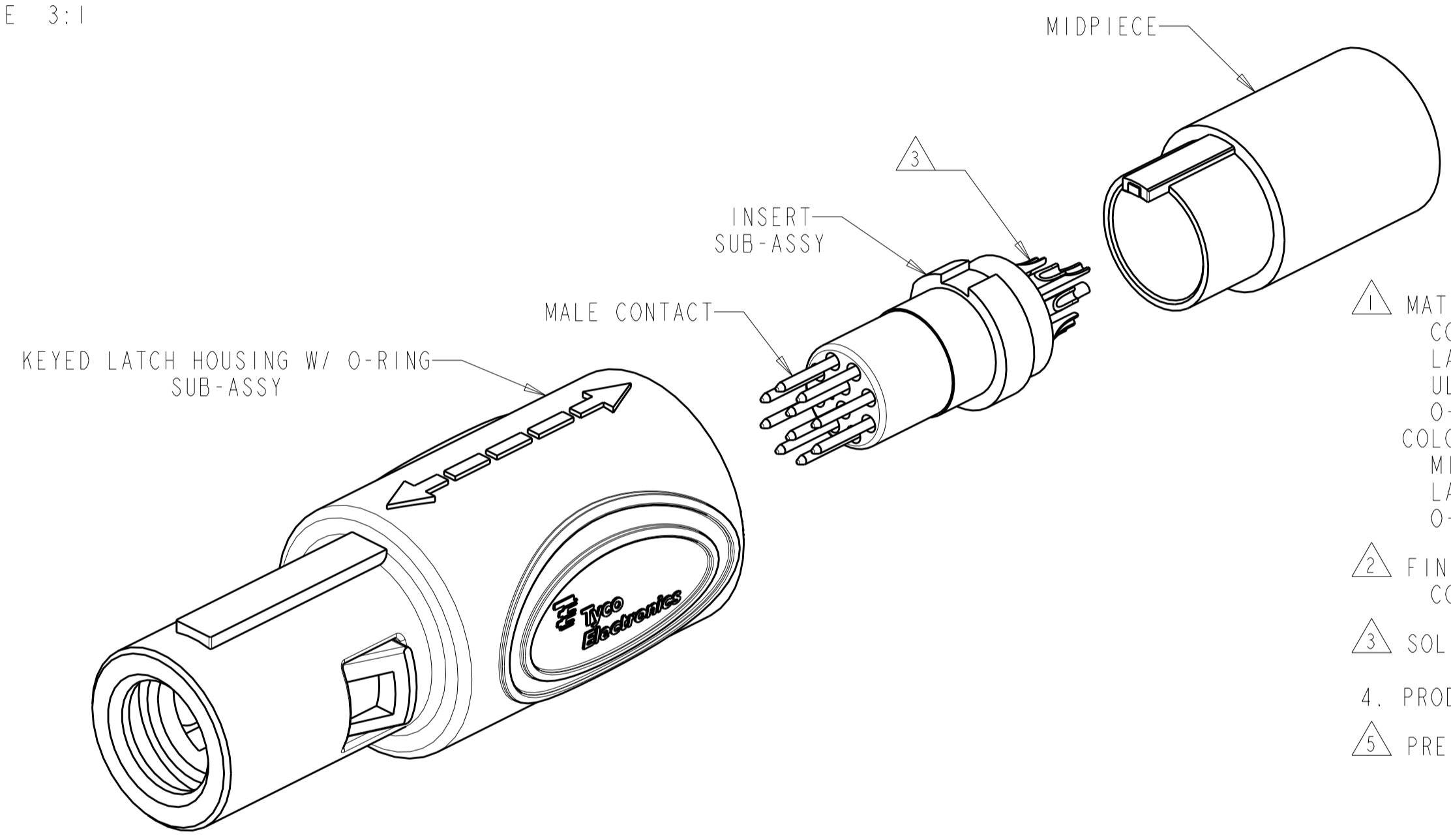
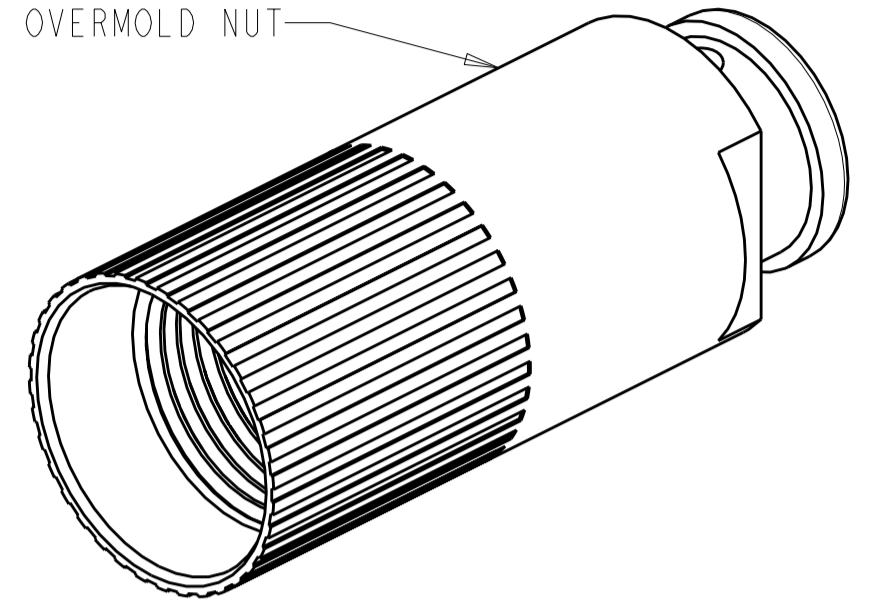
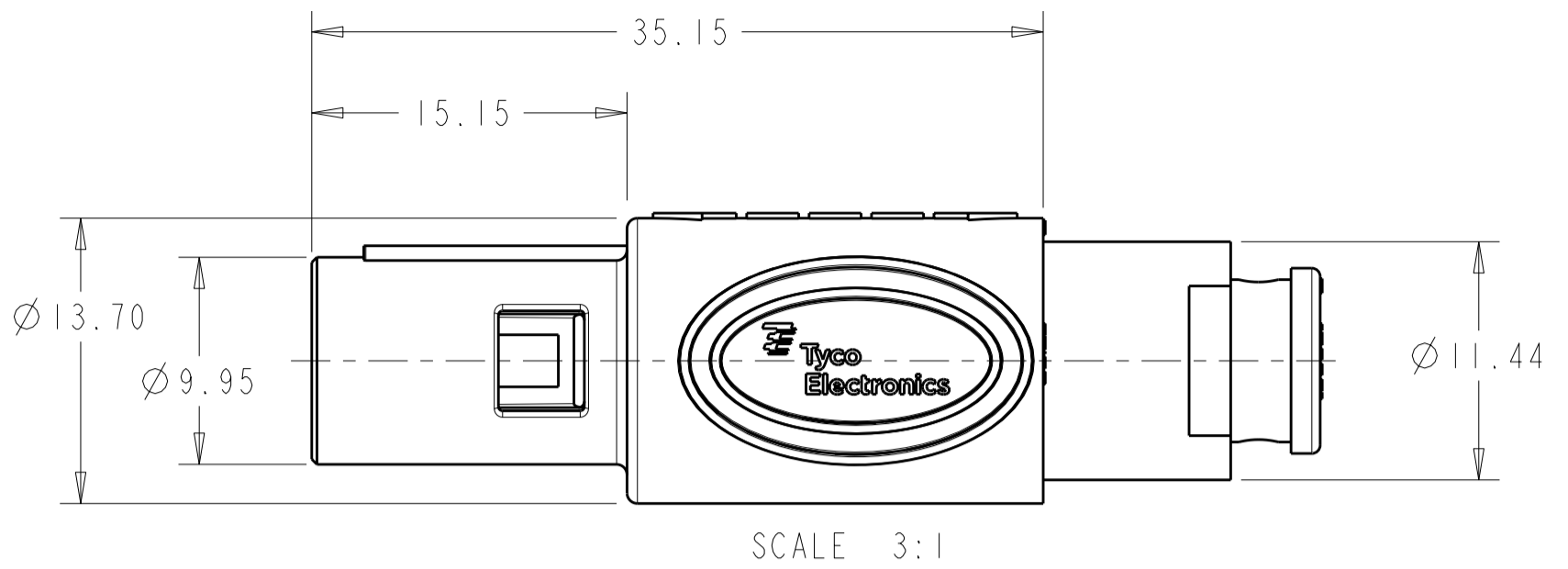
Email & Skype: info@chipsmall.com Web: www.chipsmall.com

Address: A1208, Overseas Decoration Building, #122 Zhenhua RD., Futian, Shenzhen, China

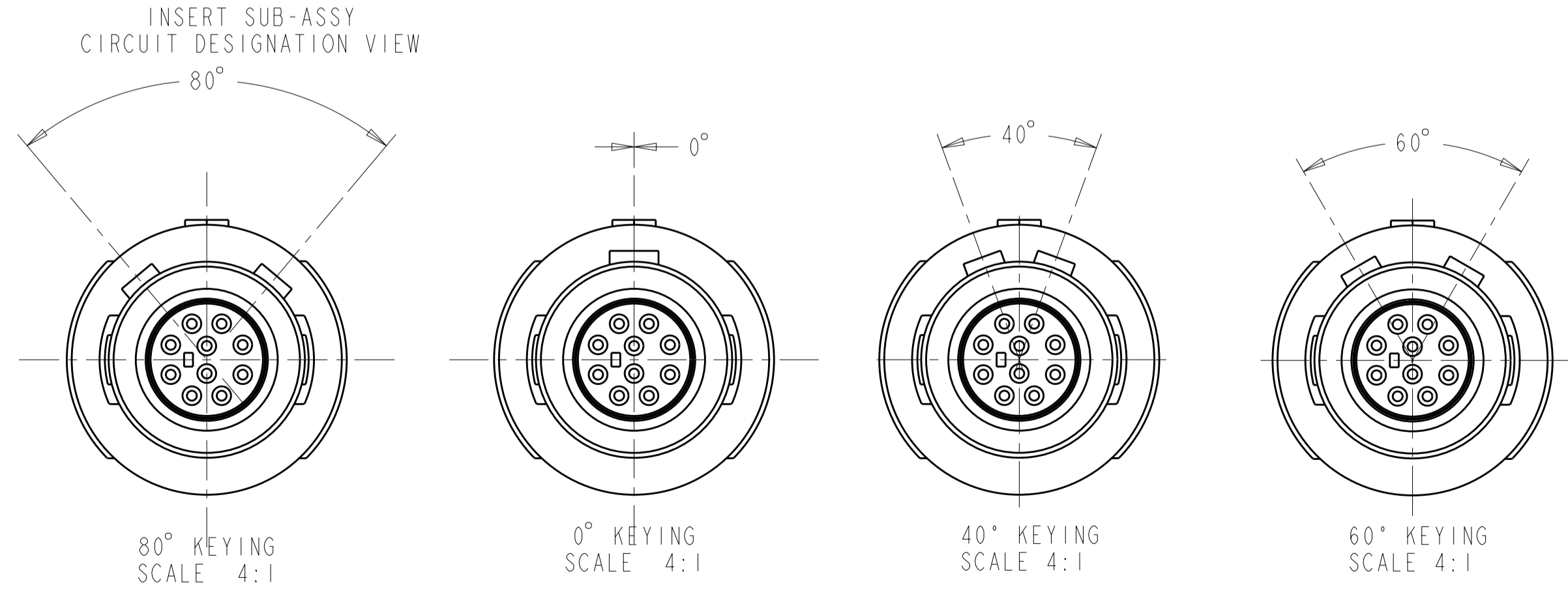
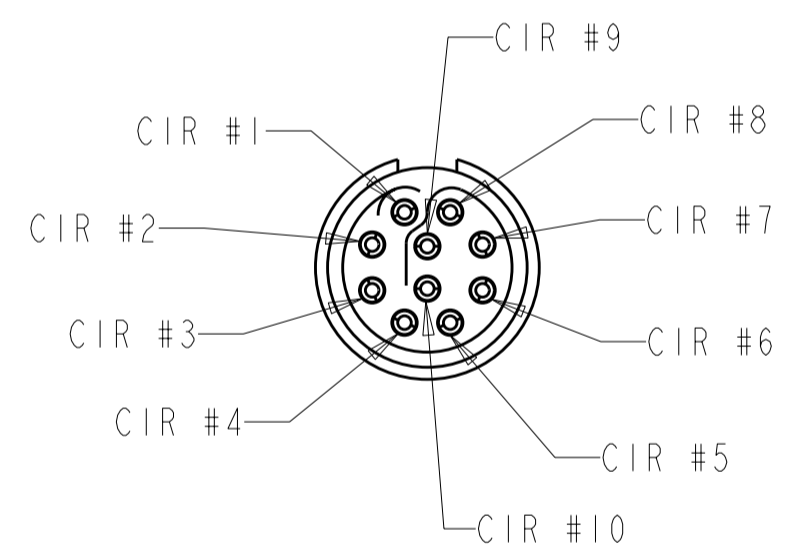


THIS DRAWING IS UNPUBLISHED. RELEASED FOR PUBLICATION 20
 © COPYRIGHT 20 BY TYCO ELECTRONICS CORPORATION. ALL RIGHTS RESERVED.

LOC	DIST	REVISIONS			
P	LTR	DESCRIPTION	DATE	DWN	APVD
B3		REVISED PER ECO-08-022187	06SEP2008	HMR	DR
B4		REVISED PER ECO-09-008097	07APR2009	MF	DR



- 1 MATERIAL:
 CONTACT: BRASS
 LATCH HOUSING, INSERT, MIDPIECE, NUT: UL 94V-0 RATED THERMOPLASTIC
 O-RING: ELASTOMER
 COLOR:
 MIDPIECE AND INSERT: GRAY
 LATCH HOUSING AND OVERMOLD NUT: SEE TABLE
 O-RING: BLACK
- 2 FINISH:
 CONTACT, 0.75µm MIN. GOLD OVER NICKEL
- 3 SOLDER TERMINATION CONTACT, 28 AWG WIRE MAX.
- 4. PRODUCT IS SUPPLIED UNASSEMBLED
- 5 PRELIMINARY PART NUMBER.



5	GRAY	60°	1877852-8
5	BLACK	60°	1877852-7
	GRAY	40°	1877852-6
	BLACK	40°	1877852-5
	GRAY	80°	1877852-4
	GRAY	0°	1877852-3
	BLACK	80°	1877852-2
	BLACK	0°	1877852-1
	LATCH HOUSING AND NUT COLOR	KEYING	PART NO.

<small>THIS DRAWING IS A CONTROLLED DOCUMENT FOR TYCO ELECTRONICS CORPORATION. IT IS SUBJECT TO CHANGE AND THE CONTROLLING ENGINEERING ORGANIZATION SHOULD BE CONTACTED FOR THE LATEST REVISION.</small>		DWN: 09MAR2006 K. MILLER CHK: 09MAR2006 L. BREKOSKY APVD: -	Tyco Electronics Harrisburg, PA 17105-3608
DIMENSIONS: mm TOLERANCES UNLESS OTHERWISE SPECIFIED: 0 PLC ± 1 PLC ±0.13 2 PLC ±0.08 3 PLC ± 4 PLC ± ANGLES ±1° FINISH	PRODUCT SPEC: 108-2249 APPLICATION SPEC: 114-13184 WEIGHT: -	NAME: 10 POSITION OVERMOLD CABLE NUT STRAIGHT PLUG ASSEMBLY SIZE: A2 CAGE CODE: 00779 DRAWING NO: 1877852 RESTRICTED TO: -	
MATERIAL: 1 FINISH: 2		CUSTOMER DRAWING SCALE: 5:1 SHEET 1 OF 1 REV: B4	