



Chipsmall Limited consists of a professional team with an average of over 10 year of expertise in the distribution of electronic components. Based in Hongkong, we have already established firm and mutual-benefit business relationships with customers from,Europe,America and south Asia,supplying obsolete and hard-to-find components to meet their specific needs.

With the principle of “Quality Parts,Customers Priority,Honest Operation,and Considerate Service”,our business mainly focus on the distribution of electronic components. Line cards we deal with include Microchip,ALPS,ROHM,Xilinx,Pulse,ON,Everlight and Freescale. Main products comprise IC,Modules,Potentiometer,IC Socket,Relay,Connector.Our parts cover such applications as commercial,industrial, and automotives areas.

We are looking forward to setting up business relationship with you and hope to provide you with the best service and solution. Let us make a better world for our industry!



Contact us

Tel: +86-755-8981 8866 Fax: +86-755-8427 6832

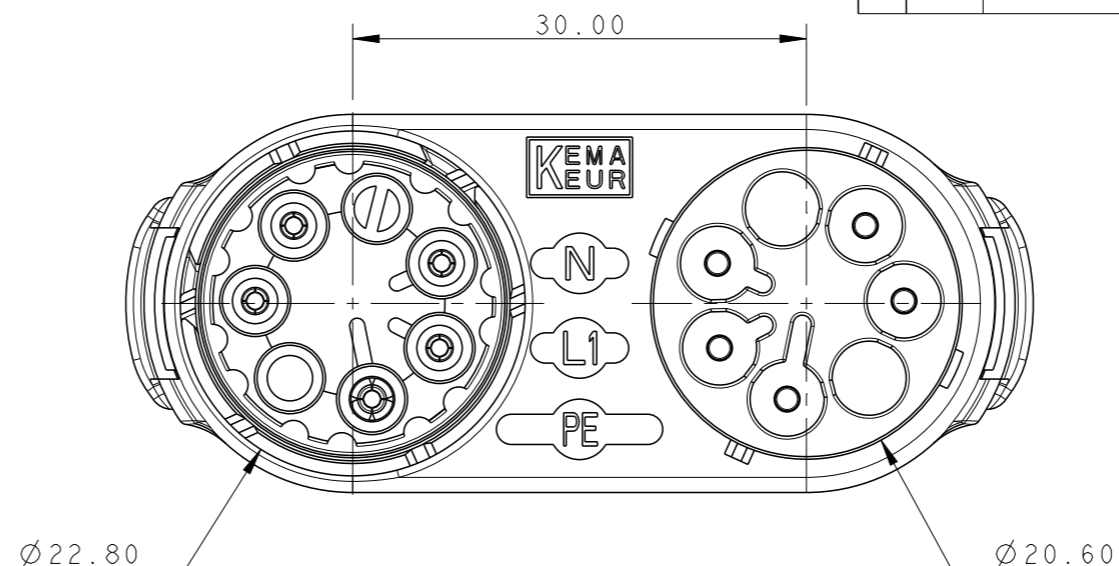
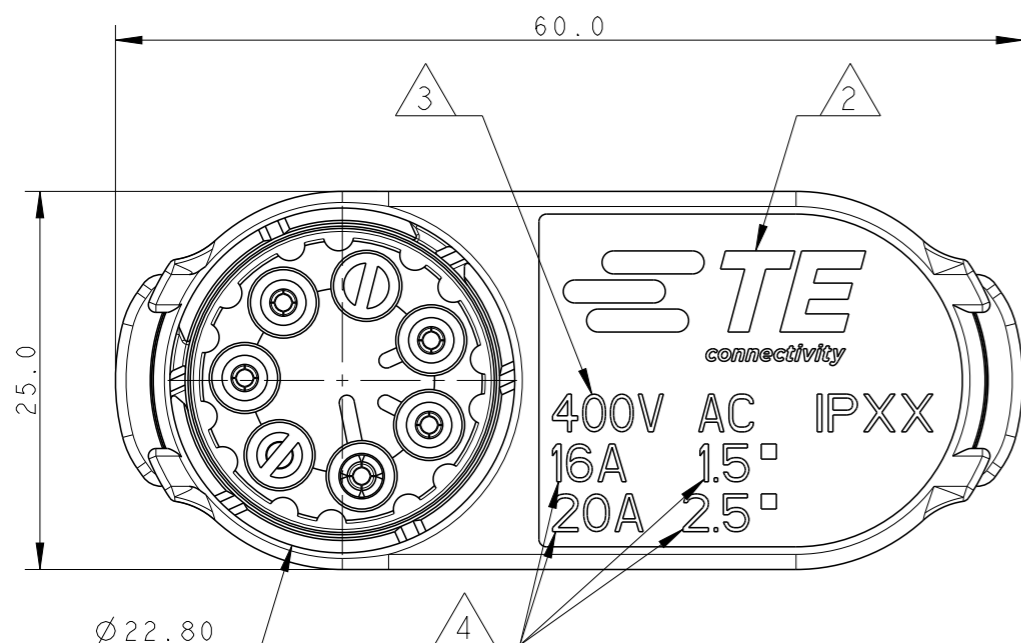
Email & Skype: info@chipsmall.com Web: www.chipsmall.com

Address: A1208, Overseas Decoration Building, #122 Zhenhua RD., Futian, Shenzhen, China



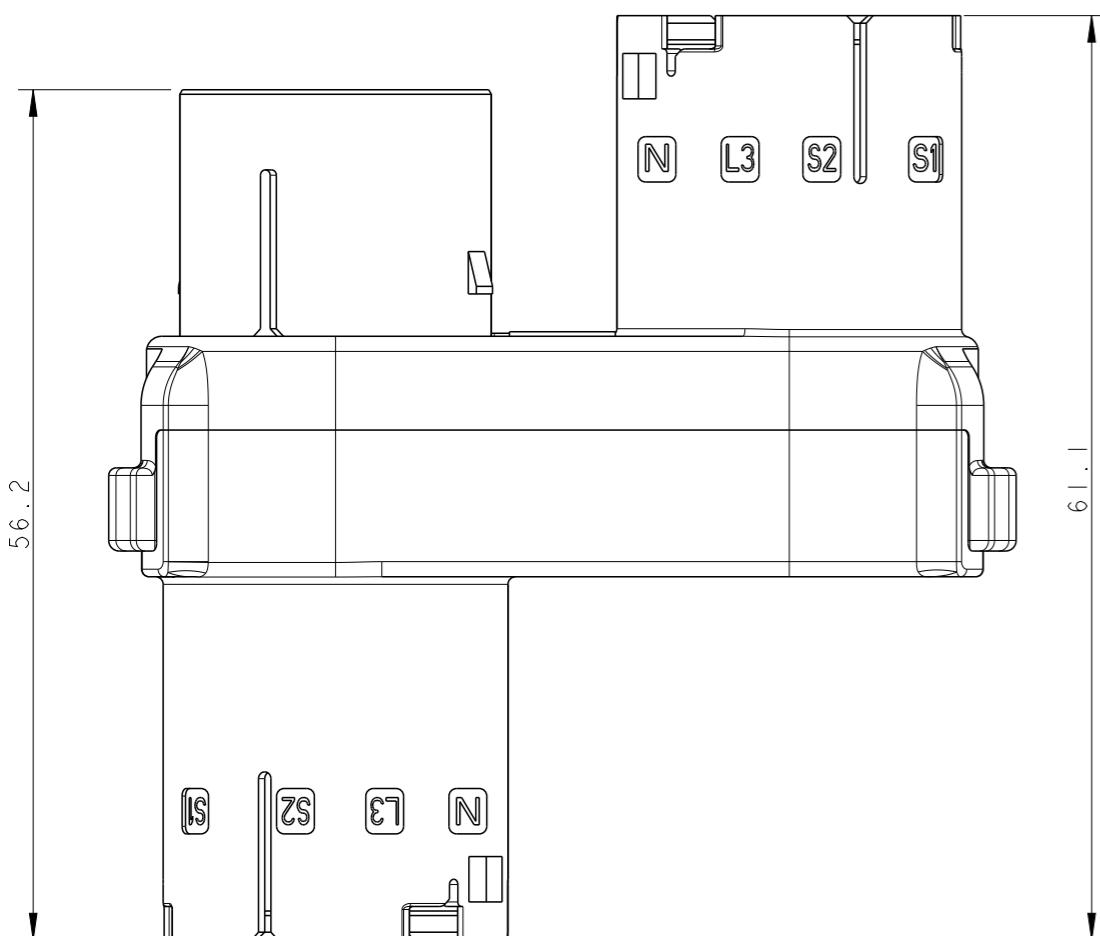
REVISIONS

P	LTR	DESCRIPTION	DATE	DWN	APVD
	I	FIRST ISSUE	08MAY2013	MZ	JC
	A	PARTS RELEASED FOR PRODUCTION	21NOV2013	KR	JC
	B	REVISED PER ECR-15-007925	05OCT2015	RS	JL



NOTES:

- 1) FOR ALL POLARISATION KEYS SEE TABLE ON SHEET 2 OF 2
- 2) TE LOGO
- 3) RATED VOLTAGE
- 4) RATED CURRENT AND CABLE SIZE
- 5) PARTS UNDER APPROVAL ACCORDING TO IEC 61535. PARTS TO BE TESTED ACCORDING TO INTERNAL TE ENDURANCE TESTS PROCEDURE
- 6) PARTS RELEASED FOR PRODUCTION WITH THE EXCEPTION OF FACE SEAL COMPONENTS WHICH ARE NOT YET RELEASED AND CURRENTLY UNDER TESTING



COLOUR	POL. KEYING	DESCRIPTION	PART NUMBER	REV.
BLACK	E	T-SPLITTER 5 POS CONN. SEALED NECTOR M-LINE	1879999-5	B
BLACK	D	T-SPLITTER 5 POS CONN. SEALED NECTOR M-LINE	1879999-4	B
BLACK	C	T-SPLITTER 5 POS CONN. SEALED NECTOR M-LINE	1879999-3	B
BLACK	B	T-SPLITTER 5 POS CONN. SEALED NECTOR M-LINE	1879999-2	B
BLACK	A	T-SPLITTER 5 POS CONN. SEALED NECTOR M-LINE	1879999-1	B

THIS DRAWING IS A CONTROLLED DOCUMENT.

DIMENSIONS: mm



MATERIAL

TOLERANCES UNLESS OTHERWISE SPECIFIED:

- 0 PLC ±
- 1 PLC ±0.3
- 2 PLC ±0.20
- 3 PLC ±
- 4 PLC ±
- ANGLES ±3°
- FINISH

DWN 08MAY2013

M. ZUCCA

CHK 08MAY2013

M. ZUCCA

APVD 08MAY2013

J. CATCHPOLE

PRODUCT SPEC

APPLICATION SPEC

WEIGHT

NAME
NECTOR M-LINE 5 POLES
T-SPLITTER CONNECTOR
SEALED VERSION

SIZE A3 CAGE CODE - DRAWING NO. C-1879999 RESTRICTED TO -

Customer Drawing SCALE 2:1 SHEET 1 OF 3 REV B



REVISIONS

P	LTR	DESCRIPTION	DATE	DWN	APVD
-	-	SEE SHEET 1	-	-	-

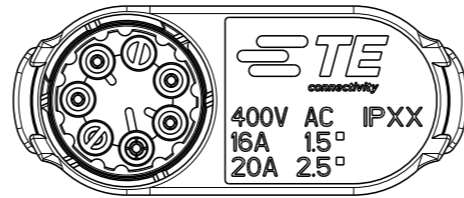
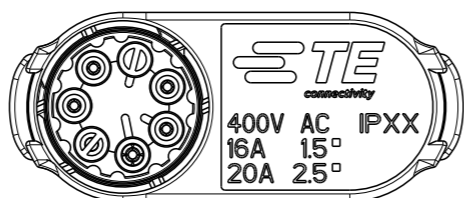
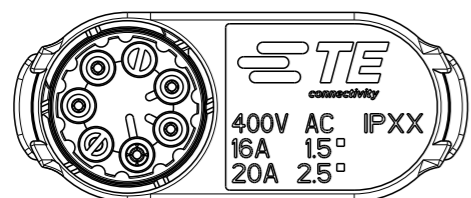
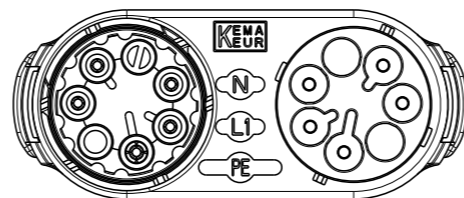
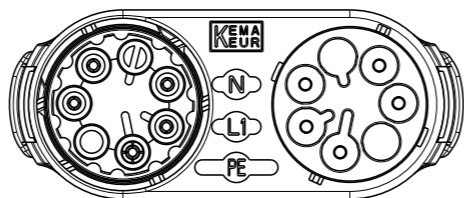
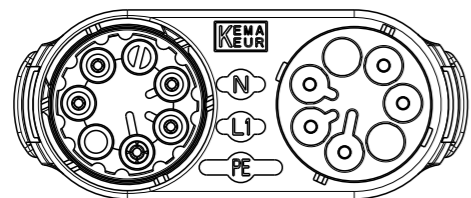
POLARISATION KEYS

SCALE 1:1

TYPE "A-A"

TYPE "B-B"

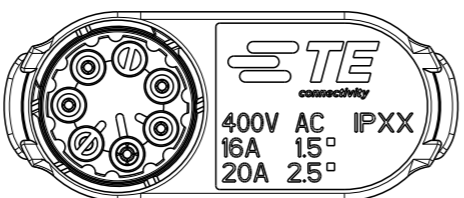
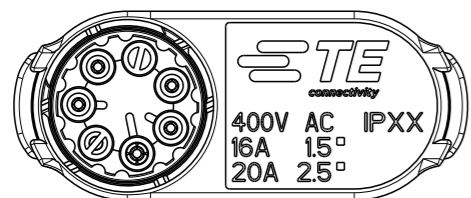
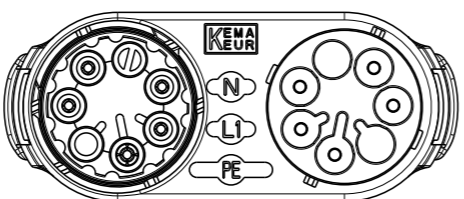
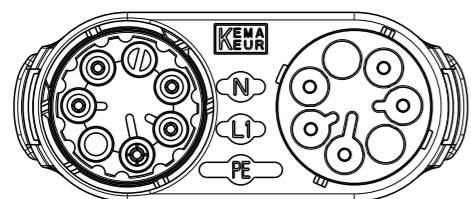
TYPE "C-C"



P/N 1879999-1
TYPE "D-D"

P/N 1879999-2
TYPE "E-E"

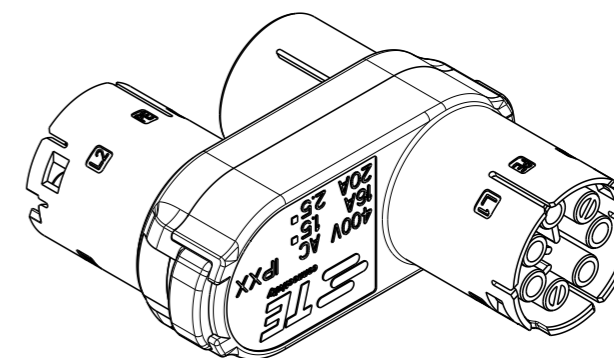
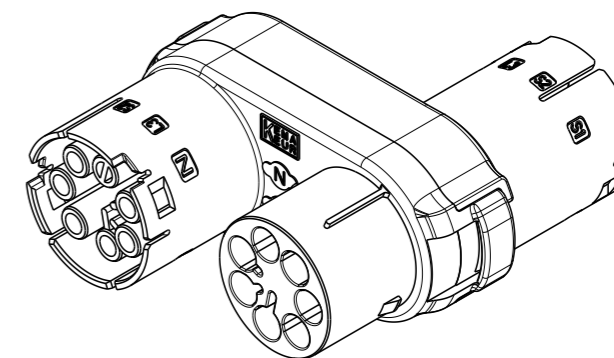
P/N 1879999-3



P/N 1879999-4

P/N 1879999-5

3D VIEWS.
FOR REFERENCE ONLY



SCALE 1:1

THIS DRAWING IS A CONTROLLED DOCUMENT.

DIMENSIONS:	TOLERANCES UNLESS OTHERWISE SPECIFIED:
mm	0 PLC ±
	1 PLC ±0.3
	2 PLC ±0.20
	3 PLC ±
	4 PLC ±
	ANGLES ±3°
MATERIAL	FINISH
-	-
-	-

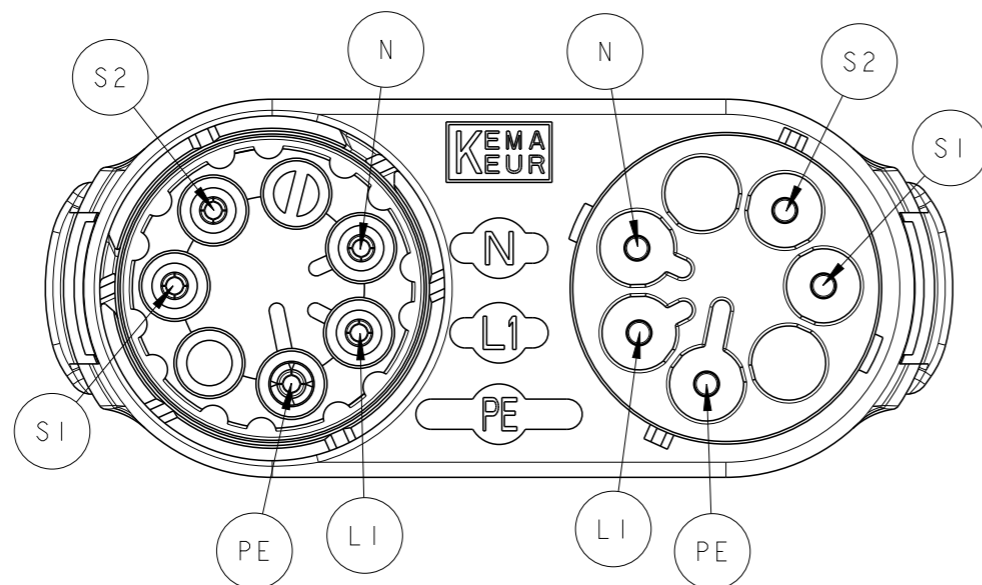
DWN	M. ZUCCA	08MAY2013
CHK	M. ZUCCA	08MAY2013
APVD	J. CATCHPOLE	08MAY2013
PRODUCT SPEC	-	-
APPLICATION SPEC	-	-
WEIGHT	-	-
Customer Drawing		



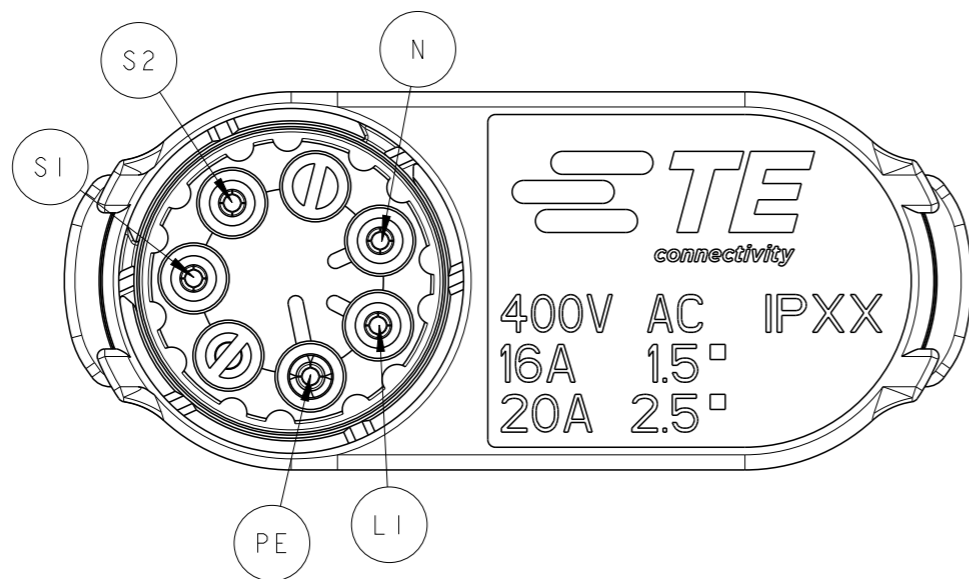
NAME				NECTOR M-LINE 5 POLES T-SPLITTER CONNECTOR SEALED VERSION	
SIZE	CAGE CODE	DRAWING NO	RESTRICTED TO		
A3	-	C-1879999	-		
SCALE		SHEET	OF	REV	
2:1		2	3	B	

REVISIONS

P	LTR	DESCRIPTION	DATE	DWN	APVD
-	-	SEE SHEET 1	-	-	-

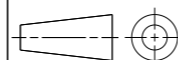


ADDITIONAL DETAILS ON
CAVITY CIRCUIT POSITION.
FOR INFORMATION ONLY



THIS DRAWING IS A CONTROLLED DOCUMENT.

DIMENSIONS:
mm



MATERIAL

TOLERANCES UNLESS OTHERWISE SPECIFIED:

- 0 PLC ±°
- 1 PLC ±0.3
- 2 PLC ±0.20
- 3 PLC ±°
- 4 PLC ±°
- ANGLES ±3°

FINISH

DWN M. ZUCCA 08MAY2013

CHK M. ZUCCA 08MAY2013

APVD J. CATCHPOLE 08MAY2013

PRODUCT SPEC

APPLICATION SPEC

WEIGHT

Customer Drawing



NAME
NECTOR M-LINE 5 POLES
T-SPLITTER CONNECTOR
SEALED VERSION

SIZE CAGE CODE DRAWING NO RESTRICTED TO

A3 - C-1879999 -

SCALE 2:1 SHEET 3 OF 3 REV B