



Chipsmall Limited consists of a professional team with an average of over 10 year of expertise in the distribution of electronic components. Based in Hongkong, we have already established firm and mutual-benefit business relationships with customers from,Europe,America and south Asia,supplying obsolete and hard-to-find components to meet their specific needs.

With the principle of “Quality Parts,Customers Priority,Honest Operation,and Considerate Service”,our business mainly focus on the distribution of electronic components. Line cards we deal with include Microchip,ALPS,ROHM,Xilinx,Pulse,ON,Everlight and Freescale. Main products comprise IC,Modules,Potentiometer,IC Socket,Relay,Connector.Our parts cover such applications as commercial,industrial, and automotives areas.

We are looking forward to setting up business relationship with you and hope to provide you with the best service and solution. Let us make a better world for our industry!



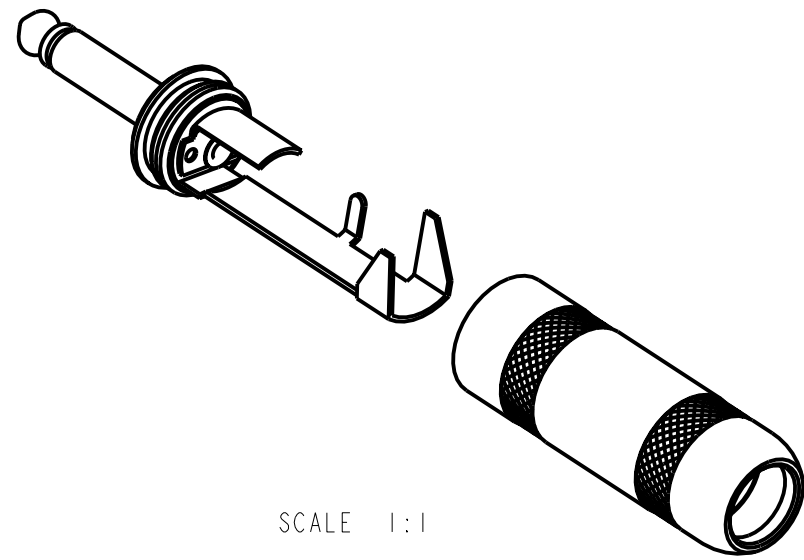
Contact us

Tel: +86-755-8981 8866 Fax: +86-755-8427 6832

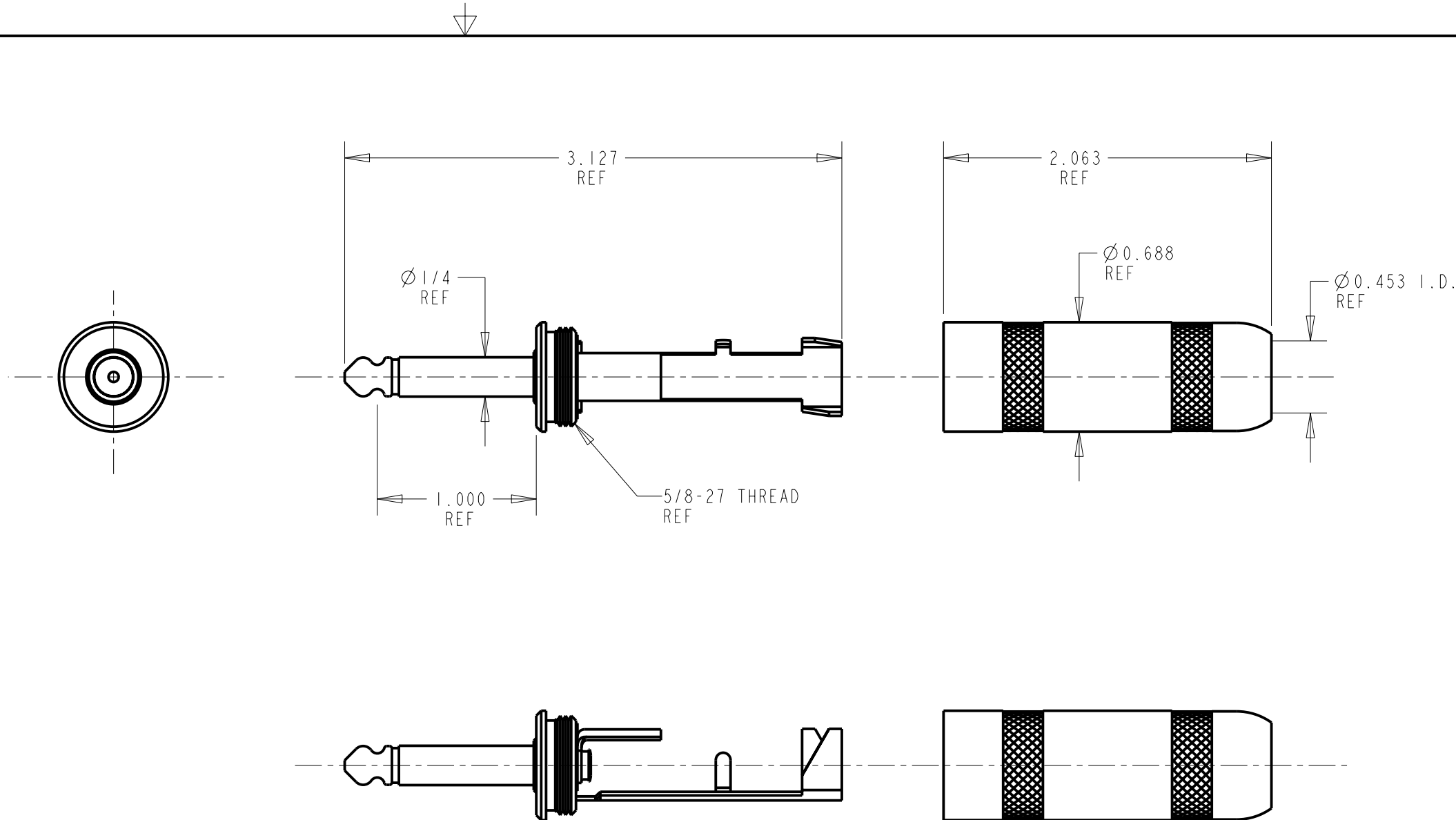
Email & Skype: info@chipsmall.com Web: www.chipsmall.com

Address: A1208, Overseas Decoration Building, #122 Zhenhua RD., Futian, Shenzhen, China





SCALE 1:1



MATERIAL

TIP ROD & SLEEVE: BRASS, NICKEL PLATED
 INSULATORS: CELANESE, MYLAR, PHENOLIC, NORYL
 TIP TERMINAL: BRASS, ELECTROTIN PLATED
 CABLE CLAMP: BRASS, ELECTROTIN PLATED
 HANDLE: BRASS, NICKEL PLATED

CUSTOMER DRAWING

					☆ STAR SYMBOL DENOTES CRITICAL DIMENSION UNLESS OTHERWISE SPECIFIED 1. ALL DIMENSIONS IN INCHES - TWO PLACE DECIMALS ±0.01 - THREE PLACE DECIMALS ±0.005 - ANGLES ±1° - ALL DIA. CONCENTRIC WITHIN 0.005 T. I. R. 2. FEATURES ON THE SAME CENTERLINE MUST BE ALIGNED WITHIN ±0.002 3. REMOVE ALL BURRS	THIS DRAWING DESCRIBES A DESIGN CONSIDERED PROPRIETARY IN NATURE, DEVELOPED AND MANUFACTURED BY SWITCHCRAFT INC. AND IS RELEASED ON A CONFIDENTIAL BASIS FOR IDENTIFICATION PURPOSES ONLY.				
						SIZE FINISH SPEC No.	WIDTH SCALE 6:5	MULT FIRST USED ON	LBS/M MATERIAL SPEC No.	TEMPER Switchcraft [®]
C	22853	5-28-99	DA	JF	DO NOT SCALE DRAWING	DATE DRAWN 12-15-93	BY LR	CHKD LR 1-7-94	APVD TO 1-7-94	SHEET OF PART No. REV
REVISIONS					HIGH POWER PHONE PLUG	188			C	