



Chipsmall Limited consists of a professional team with an average of over 10 year of expertise in the distribution of electronic components. Based in Hongkong, we have already established firm and mutual-benefit business relationships with customers from,Europe,America and south Asia,supplying obsolete and hard-to-find components to meet their specific needs.

With the principle of “Quality Parts,Customers Priority,Honest Operation,and Considerate Service”,our business mainly focus on the distribution of electronic components. Line cards we deal with include Microchip,ALPS,ROHM,Xilinx,Pulse,ON,Everlight and Freescale. Main products comprise IC,Modules,Potentiometer,IC Socket,Relay,Connector.Our parts cover such applications as commercial,industrial, and automotives areas.

We are looking forward to setting up business relationship with you and hope to provide you with the best service and solution. Let us make a better world for our industry!



Contact us

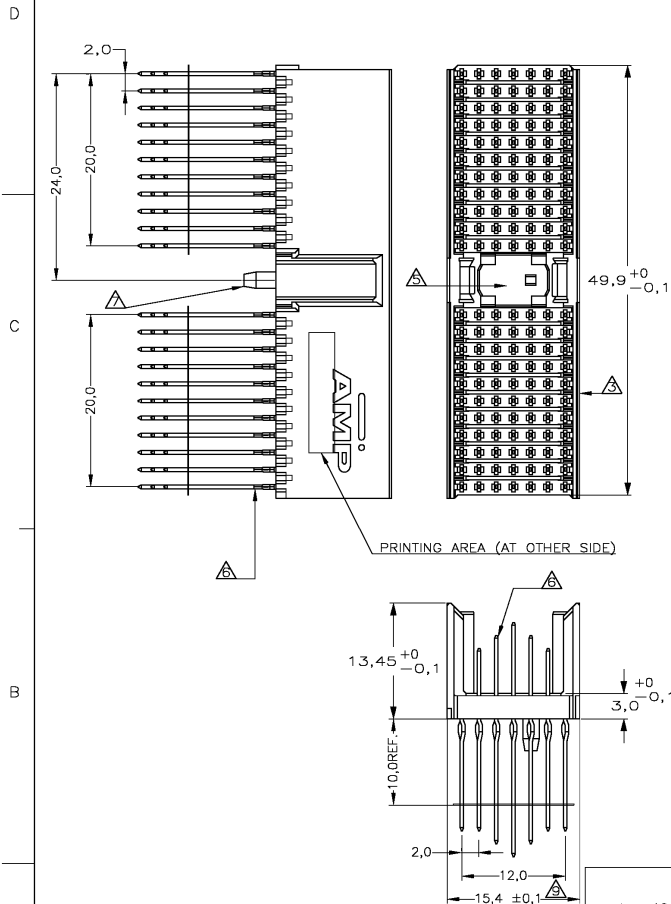
Tel: +86-755-8981 8866 Fax: +86-755-8427 6832

Email & Skype: info@chipsmall.com Web: www.chipsmall.com

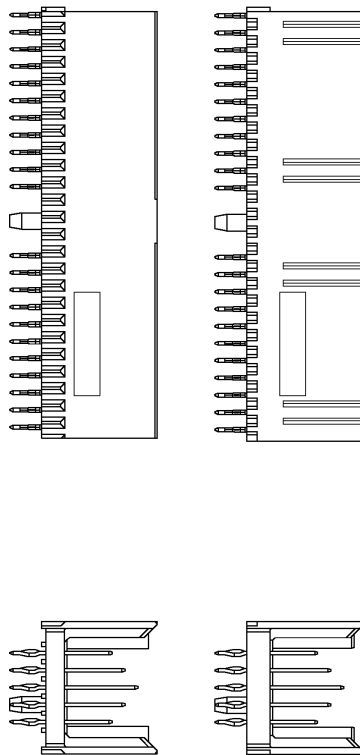
Address: A1208, Overseas Decoration Building, #122 Zhenhua RD., Futian, Shenzhen, China



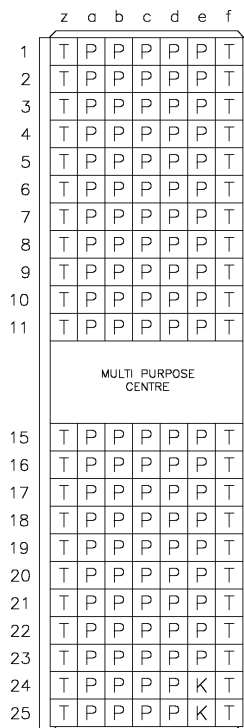
CONNECTOR ASSEMBLY EXEMPLARY LOADED



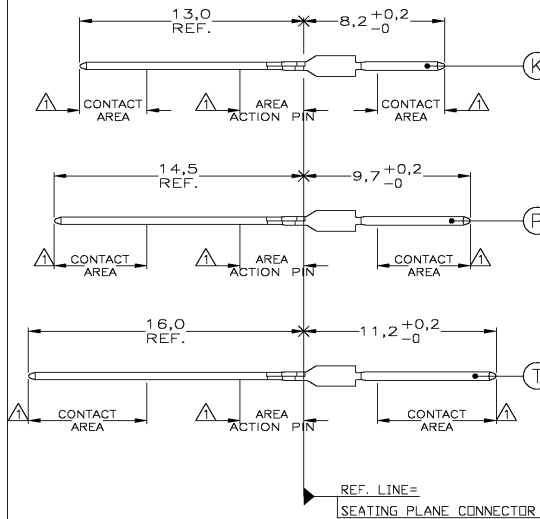
CONNECTOR APPEARANCES POSSIBLE VERSIONS



CONTACT LAYOUT

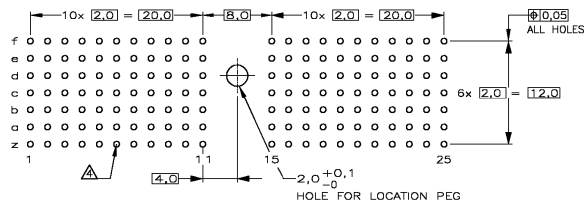


CONTACT DIMENSIONS



NOTES:

- ⚠ FOR FINISH TYPES SEE PLATING TABLE.
- ⚠ MATERIAL CONTACT: PHOSPHORBRONZE.
MATERIAL POST ALIGNMENT STRIP: UNFILLED POLYESTER
MATERIAL HOUSING: GREY GLASSFILLED POLYESTER
UL-RATING 94V0.
- ⚠ CONNECTOR MARKED WITH PART NUMBER AND DATE CODE.
(OTHER MARKING OPTIONAL)
- ⚠ PLATED-THROUGH HOLES AT 2x2mm SQUARE GRID.
- ⚠ AREA FOR KEYING PART (BASIC PART NUMBER 100525).
- ⚠ FOR ACTUAL PIN LOADING SEE "CONTACT LAYOUT".
- ⚠ LOCATION PEG.
- ⚠ CONNECTOR LUBRICATED WITH BELCORE.
APPROVED LUBRICANT TECHNICAL REFERENCE
TR-NWT-001217 ISSUE 1 SEPT 1992



RECOMMENDED PCB-HOLE LAY-OUT
COMPONENT SIDE SHOWN

P.C.B. HOLE DIM. ACTION PIN	
DRILLED HOLE:	0,7 ± 0,025mm
FIN. HOLE :	0,55 TO 0,65mm
Cu-thks :	0,025 TO 0,050mm
SnPb-thks :	0,004 TO 0,010mm

REVISIONS				
REV	DESCRIPTION	DATE	DWN	APVD
□	EH-0394-94	24-JUN-94	LvdH	-
A	SR10-0332-01	31-JUL-01	FB	-

PART NUMBER	UNDER-COATING µm Ni MIN.	CONTACT AREA µm Au MIN.	ACTION-PIN AREA µm Sn/Pb	CONSERVATION TREATMENT	MATERIAL
0-188257-9	1,27	0,76	0,5-2,5	Yes ⚠	⚠
0-188257-1	1,27	0,76	0,5-2,5	No	⚠

THIS DRAWING IS A CONTROLLED DOCUMENT.		DWN Frederik Beun	31-JUL-01	Tyco Electronics		Tyco Electronics Corporation Oostkamp - BELGIUM	
DIMENSIONS: MM		TOLERANCES UNLESS OTHERWISE SPECIFIED:		PRODUCT SPEC: 108-19082		Z-PACK 2mm HM TYPE A 154 POS. MALE CONNECTOR ASSEMBLY	
MATERIAL		FINISH		APPLICATION SPEC: 114-19029		RESTRICTED TO	
				WEIGHT		SCALE 5:1 SHEET 1 OF 1 REV A	
				CUSTOMER DRAWING		SIZE CAGE CODE DRAWING NO A2 00779 C-188257	