



Chipsmall Limited consists of a professional team with an average of over 10 year of expertise in the distribution of electronic components. Based in Hongkong, we have already established firm and mutual-benefit business relationships with customers from,Europe,America and south Asia,supplying obsolete and hard-to-find components to meet their specific needs.

With the principle of “Quality Parts,Customers Priority,Honest Operation,and Considerate Service”,our business mainly focus on the distribution of electronic components. Line cards we deal with include Microchip,ALPS,ROHM,Xilinx,Pulse,ON,Everlight and Freescale. Main products comprise IC,Modules,Potentiometer,IC Socket,Relay,Connector.Our parts cover such applications as commercial,industrial, and automotives areas.

We are looking forward to setting up business relationship with you and hope to provide you with the best service and solution. Let us make a better world for our industry!



Contact us

Tel: +86-755-8981 8866 Fax: +86-755-8427 6832

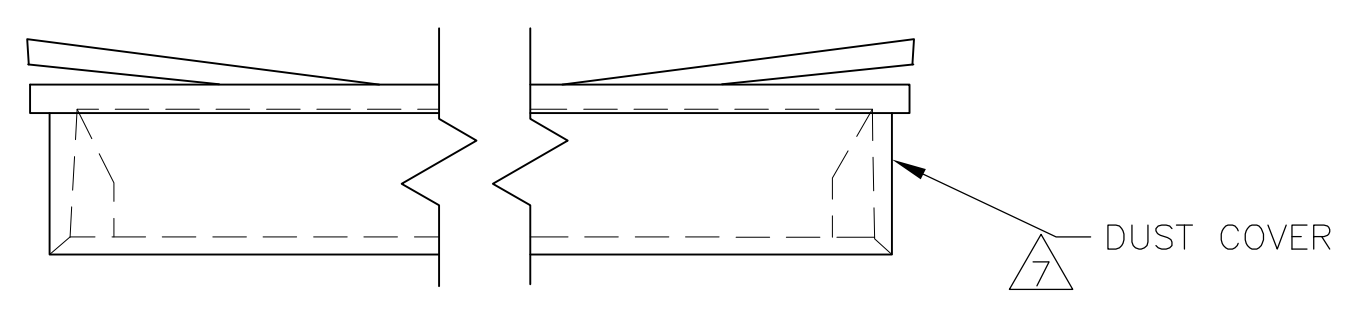
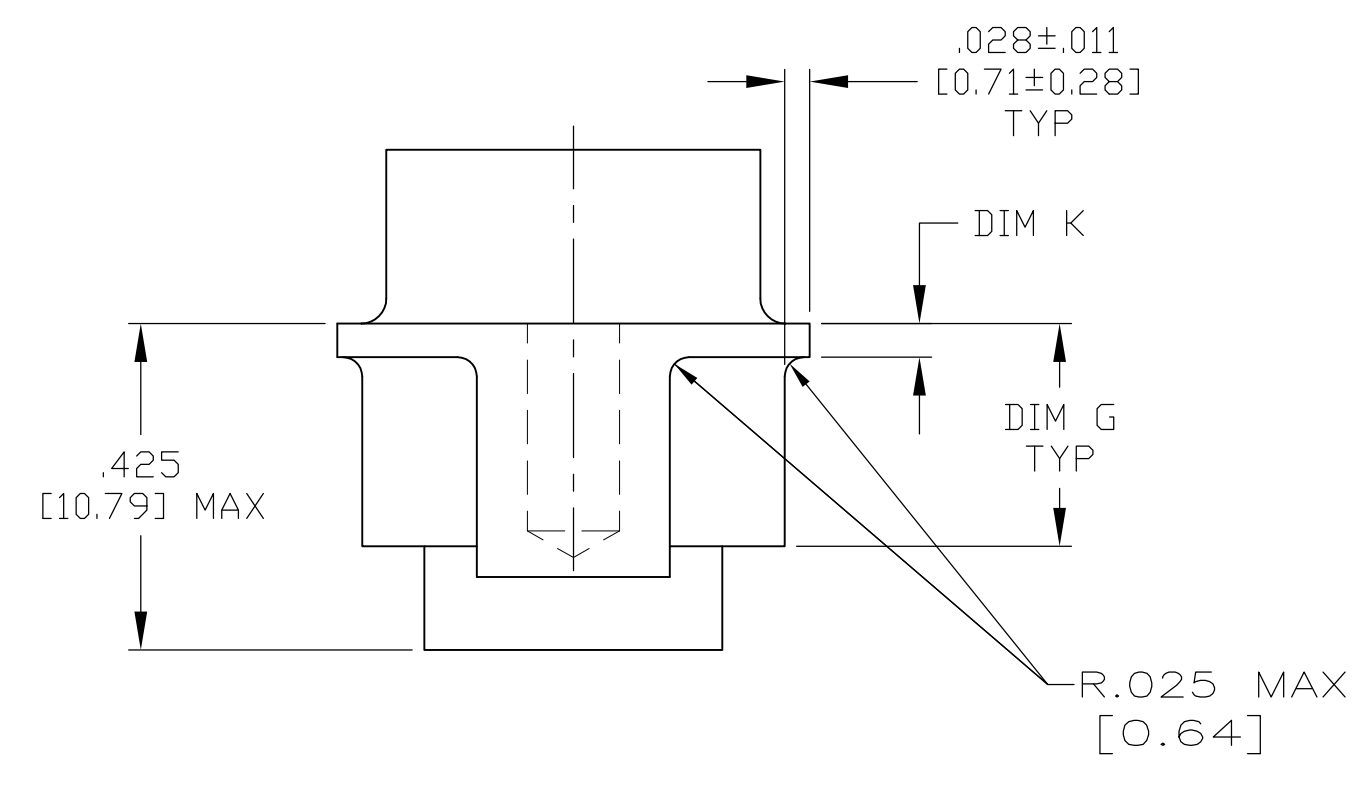
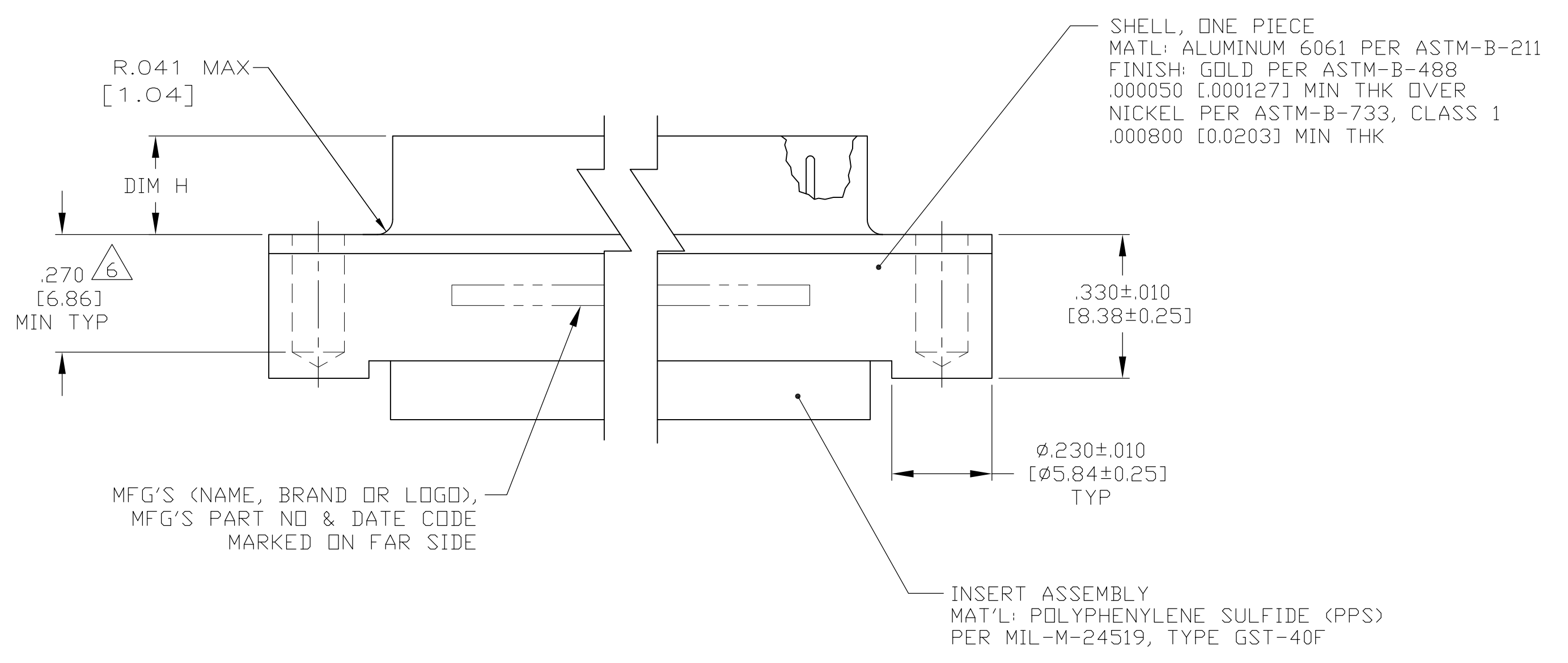
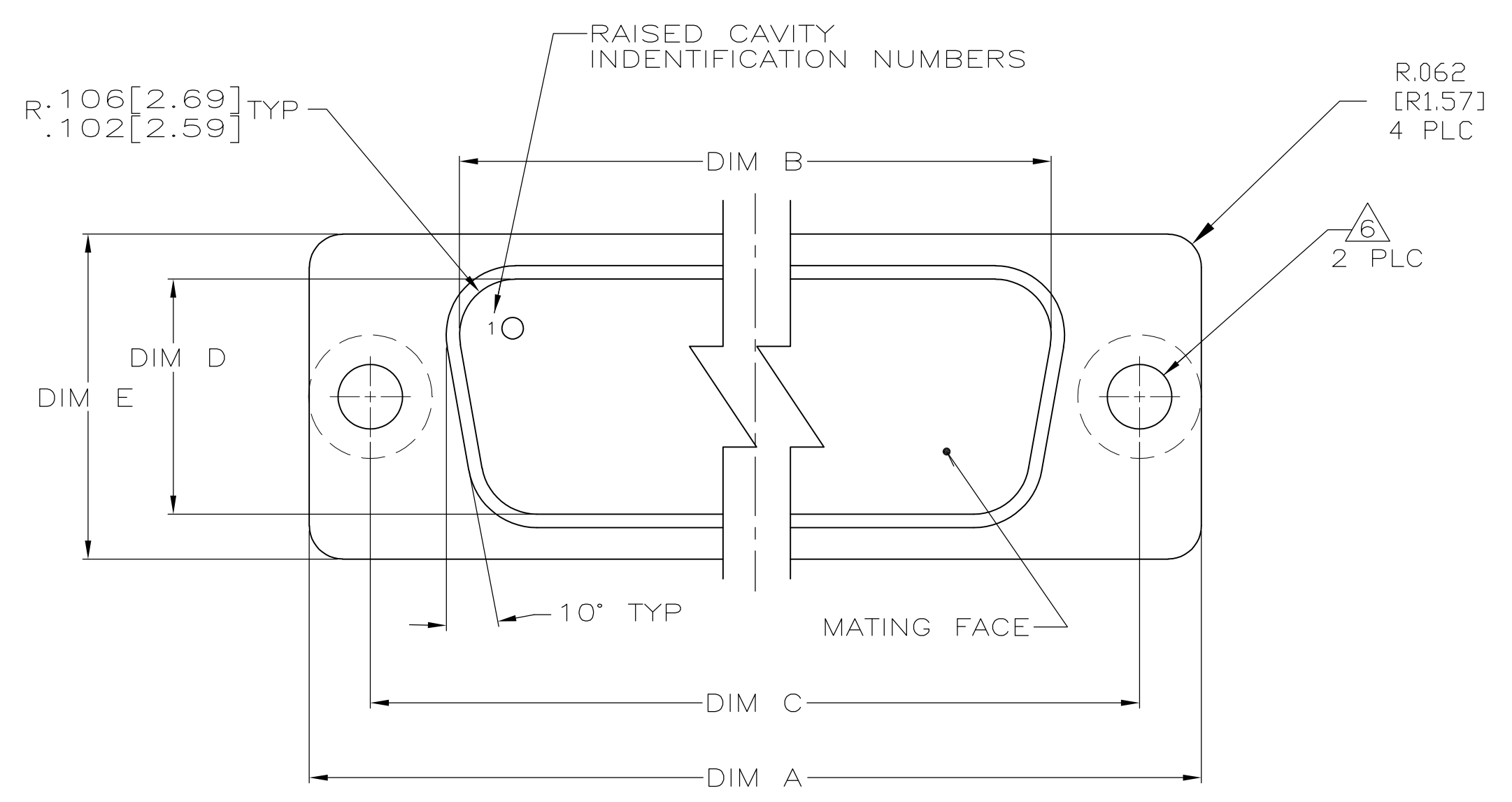
Email & Skype: info@chipsmall.com Web: www.chipsmall.com

Address: A1208, Overseas Decoration Building, #122 Zhenhua RD., Futian, Shenzhen, China



LOC		DIST		REVISIONS			
P	LTR	DESCRIPTION	DATE	DN	APVD		
D		REV PER ECO 09-014927	6-24-09	CT	DM		

- CONNECTOR (S) WILL BE TESTED IN ACCORDANCE WITH GROUP A INSPECTION OF NASA SPEC S-311-P-4, RESIDUAL MAGNETISM IS NOT REQUIRED.
 - THIS CONNECTOR ASSEMBLY MATES WITH ANY MIL-PRF-24308 RECEPTACLE CONNECTOR WITH SAME INSERT ARRANGEMENT.
 - MARKED WITH .047 [1.19]-.062 [1.57] HIGH CHARACTERS. FAR SIDE REFERS TO THE WIDE SIDE OF THE KEYSTONE. NEAR SIDE REFERS TO THE NARROW SIDE OF THE KEYSTONE. IF THE SHELL IS TOO SMALL FOR ALL THE INFORMATION THEN MARKING MAY BE SPLIT BETWEEN FRONT AND REAR, FAR SIDE.
 - RETENTION SPRING MATERIAL: BERYLLIUM COPPER PER ASTM B 194.
 - THIS DRAWING SHALL BE INTERPRETED IN ACCORDANCE WITH APPLICABLE STANDARDS LISTED IN MIL-STD-100.
- \triangle .112-40UNC-2B HELICOIL INSERT PER NAS1130-04-15. NO PLATING IS REQUIRED PRIOR TO OR POST INSTALLATION OF THE HELICOIL INSERT.
 \triangle A DUST COVER IS ASSEMBLED ON EACH CONNECTOR.



.044 [1.12]	.236 [5.99]	.299 [7.59]	.610 [15.49]	.446 [11.33]	2.411 [61.24]	2.084 [52.93]	2.640 [67.06]	MS18277-2	78	5	1883055-5
.044 [1.12]	.236 [5.99]	.299 [7.59]	.499 [12.67]	.334 [8.48]	2.505 [63.63]	2.187 [55.55]	2.734 [69.44]	MS18276-2	62	4	1883055-4
.044 [1.12]	.236 [5.99]	.299 [7.59]	.489 [12.42]	.324 [8.23]	2.495 [63.37]	2.177 [55.30]	2.724 [69.20]	MS18275-2	44	3	1883055-3
.035 [0.89]	.241 [6.12]	.294 [7.47]	.499 [12.67]	.334 [8.48]	1.857 [47.17]	1.539 [39.09]	2.093 [53.16]	MS18274-2	26	2	1883055-2
.035 [0.89]	.241 [6.12]	.294 [7.47]	.489 [12.42]	.324 [8.23]	1.307 [33.20]	.989 [25.12]	1.536 [39.01]	MS18273-2	15	1	1883055-1
K	H	G±.010 [±0.25]	E	D	C	B	A	INSERT ARRANGEMENT	NO OF POS	SHELL SIZE	MFG'S PART NUMBER

THIS DRAWING IS A CONTROLLED DOCUMENT.

DIMENSIONS: INCHES	TOLERANCES UNLESS OTHERWISE SPECIFIED:	DIN C.C.THOMAS 10-24-05	APVD D.MILLER 10-24-05	NAME
0 PLC ± -	1 PLC ± -	2 PLC ± -	3 PLC ± .005(0.13)	4 PLC ± -
ANGLES ± -				
MATERIAL SEE CALLOUT	FINISH SEE CALLOUT	WEIGHT	SIZE CAGE CODE DRAWING NO	RESTRICTED TO
			A1 00779 1883055	
CUSTOMER DRAWING		SCALE 4:1	SHEET 1 OF 1	REV D

Tyco Electronics Corporation
 Harrisburg, PA 17105-3608
 AMPLIMITE PLUG ASSEMBLY
 SERIES 90, CRIMP, ONE
 PIECE SHELL SIZE 1 THRU 5