



Chipsmall Limited consists of a professional team with an average of over 10 year of expertise in the distribution of electronic components. Based in Hongkong, we have already established firm and mutual-benefit business relationships with customers from,Europe,America and south Asia,supplying obsolete and hard-to-find components to meet their specific needs.

With the principle of “Quality Parts,Customers Priority,Honest Operation,and Considerate Service”,our business mainly focus on the distribution of electronic components. Line cards we deal with include Microchip,ALPS,ROHM,Xilinx,Pulse,ON,Everlight and Freescale. Main products comprise IC,Modules,Potentiometer,IC Socket,Relay,Connector.Our parts cover such applications as commercial,industrial, and automotives areas.

We are looking forward to setting up business relationship with you and hope to provide you with the best service and solution. Let us make a better world for our industry!



Contact us

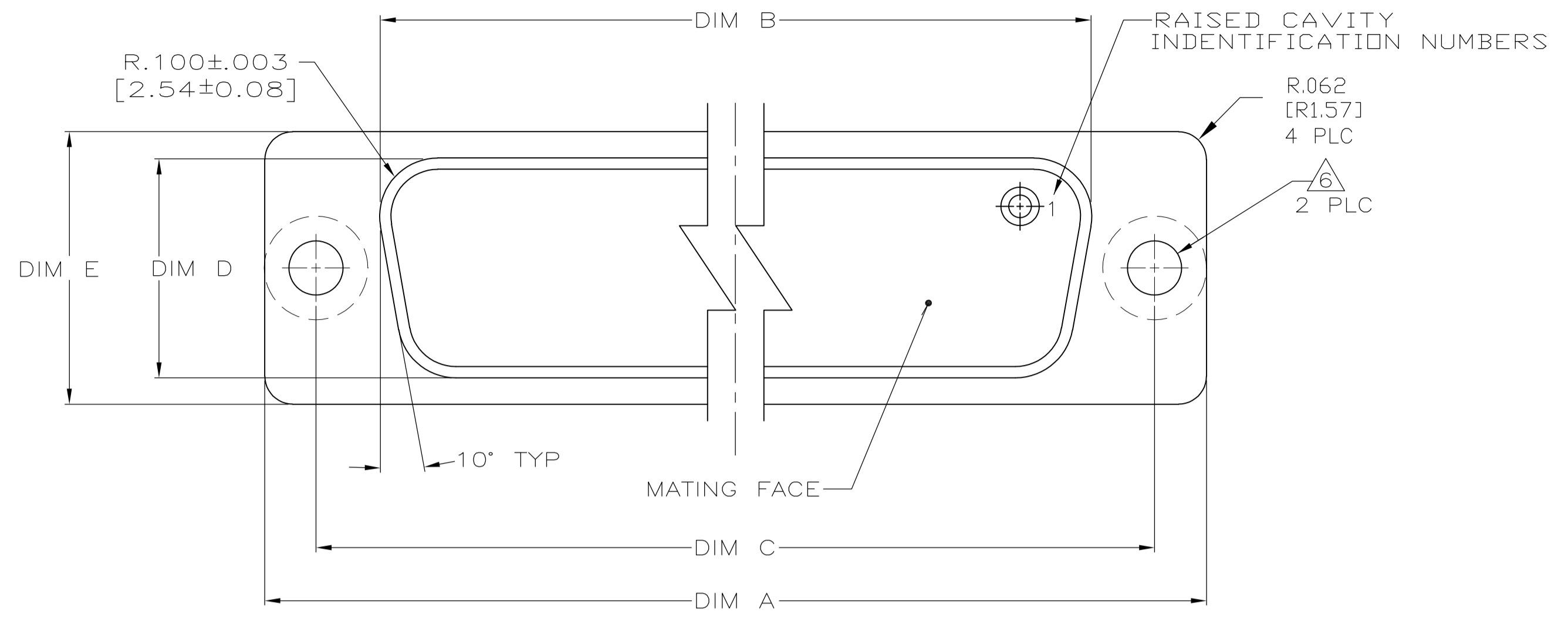
Tel: +86-755-8981 8866 Fax: +86-755-8427 6832

Email & Skype: info@chipsmall.com Web: www.chipsmall.com

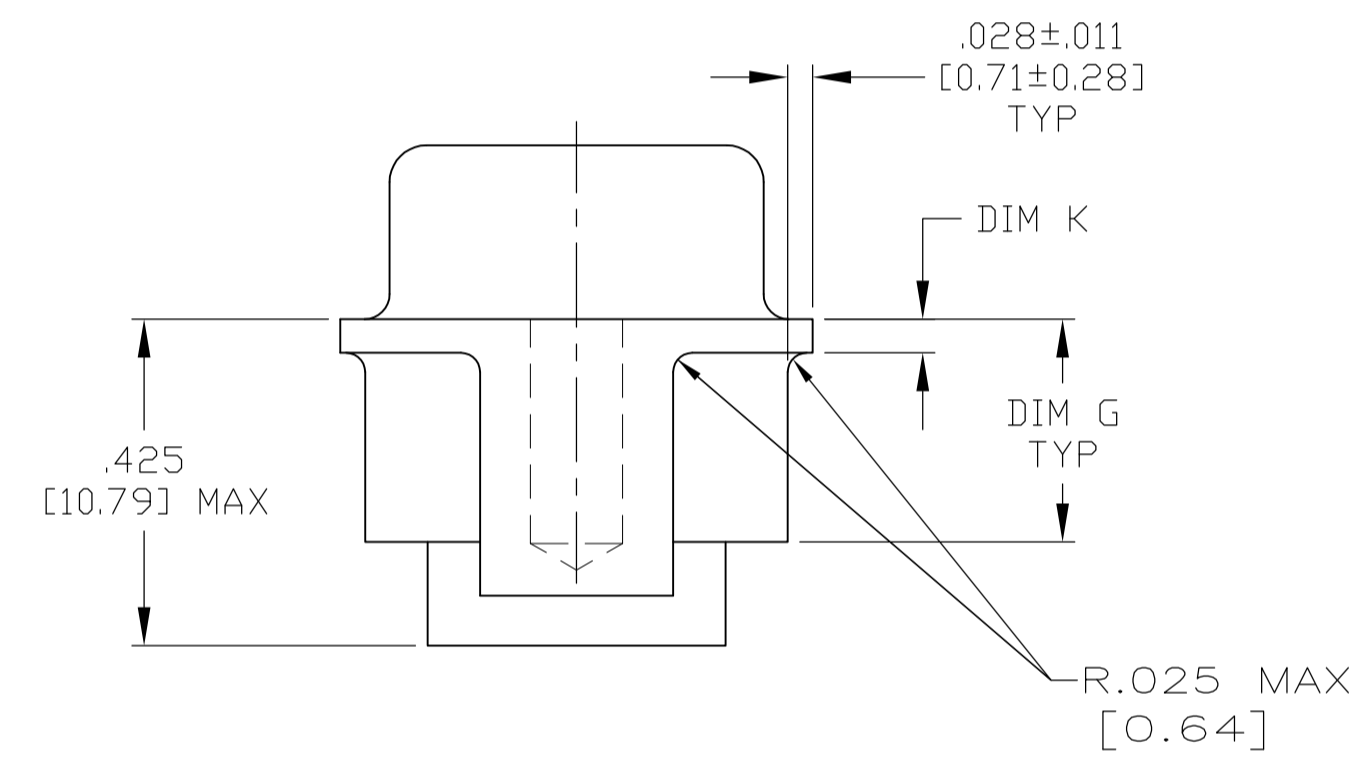
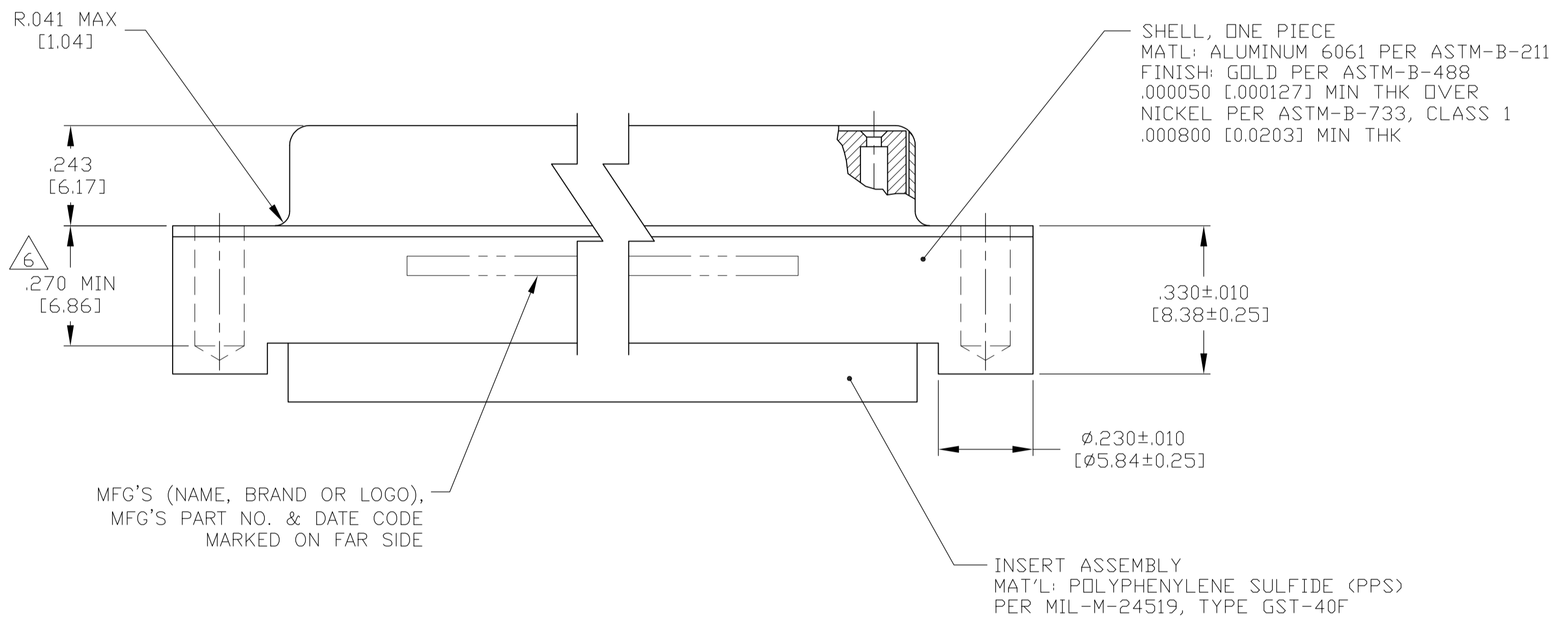
Address: A1208, Overseas Decoration Building, #122 Zhenhua RD., Futian, Shenzhen, China



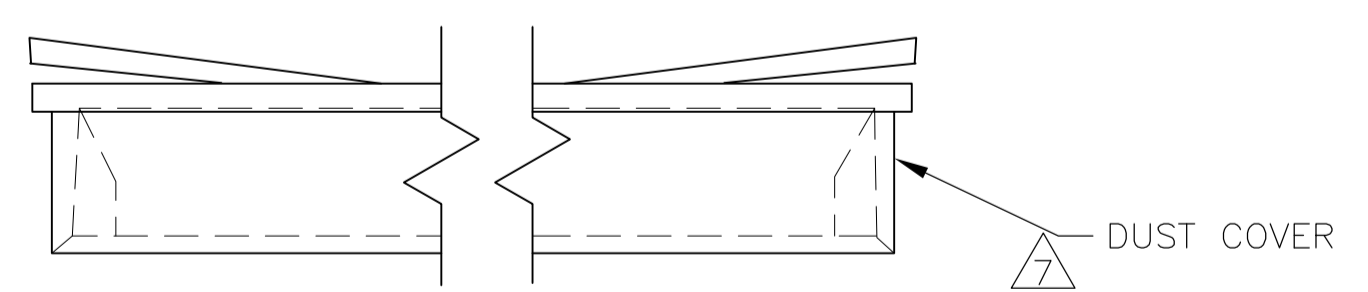
REVISONS		DATE	DMN	APVD
LOC	DIST	DESCRIPTION		
D	REV PER ECO	09-014927	6-24-09	CT DM



- CONNECTOR(S) WILL BE TESTED IN ACCORDANCE WITH GROUP A INSPECTION OF NASA SPEC S-311-P-4, RESIDUAL MAGNETISM IS NOT REQUIRED.
- THIS CONNECTOR ASSEMBLY MATES WITH ANY MIL-PRF-24308 PLUG CONNECTOR WITH SAME INSERT ARRANGEMENT.
- MARK WITH .047 [1.19]-.062 [1.57] HIGH CHARACTERS. FAR SIDE REFERS TO THE WIDE SIDE OF THE KEYSTONE. NEAR SIDE REFERS TO THE NARROW SIDE OF THE KEYSTONE. IF THE REAR SHELL IS TOO SMALL FOR ALL THE INFORMATION THEN MARKING MAY BE SPLIT BETWEEN NEAR AND FAR SIDE.
- RETENTION SPRING MATERIAL: BERYLLIUM COPPER PER ASTM B 194.
- THIS DRAWING SHALL BE INTERPRETED IN ACCORDANCE WITH APPLICABLE STANDARDS LISTED IN MIL-STD-100.
- .112-40UNC-2B HELICOIL INSERT PER NAS1130-04-15. NO PLATING IS REQUIRED PRIOR TO OR POST INSTALLATION OF THE HELICOIL INSERT.
- A DUST COVER IS ASSEMBLED ON EACH CONNECTOR.



MFG'S (NAME, BRAND OR LOGO),
 MFG'S PART NO. & DATE CODE
 MARKED ON FAR SIDE



.044 [1.12]	.290 [7.37]	.610 [15.49] .600 [15.24]	.428 [10.87] .418 [10.62]	2.411 [61.24] 2.401 [60.99]	2.069 [52.55] 2.059 [52.30]	2.640 [67.06] 2.630 [66.80]	MS18277-2	78	5	1883056-5
.044 [1.12]	.290 [7.37]	.499 [12.67] .489 [12.42]	.316 [8.03] .306 [7.77]	2.505 [63.63] 2.495 [63.37]	2.164 [54.97] 2.154 [54.71]	2.734 [69.44] 2.724 [69.20]	MS18276-2	62	4	1883056-4
.044 [1.12]	.290 [7.37]	.499 [12.67] .489 [12.42]	.316 [8.03] .306 [7.77]	1.857 [47.17] 1.847 [46.91]	1.516 [38.51] 1.506 [38.25]	2.093 [53.16] 2.083 [52.91]	MS18275-2	44	3	1883056-3
.035 [0.89]	.290 [7.37]	.499 [12.67] .489 [12.42]	.316 [8.03] .306 [7.77]	1.317 [33.45] 1.307 [33.20]	.976 [24.79] .966 [24.54]	1.546 [39.27] 1.536 [39.01]	MS18274-2	26	2	1883056-2
.035 [0.89]	.290 [7.37]	.499 [12.67] .489 [12.42]	.316 [8.03] .306 [7.77]	.989 [25.12] .979 [24.87]	.648 [16.46] .638 [16.21]	1.218 [30.94] 1.208 [30.68]	MS18273-2	15	1	1883056-1
K	G±.010 [±0.25]	E	D	C	B	A	INSERT ARRANGEMENT	NO OF POS	SHELL SIZE	MFG'S PART NUMBER

THIS DRAWING IS A CONTROLLED DOCUMENT.

DIMENSIONS: INCHES	TOLERANCES UNLESS OTHERWISE SPECIFIED:	DMN C.C. THOMAS 10-24-05	APVD D. MILLER 10-25-05	NAME D. MILLER 10-25-05
0 PLC ± -	1 PLC ± -	2 PLC ± -	3 PLC ± .005(0.13)	4 PLC ± -
ANGLES ± -	FINISH SEE CALLOUT	WEIGHT -	SIZE A1	CAGE CODE 00779
MATERIAL SEE CALLOUT	FINISH SEE CALLOUT	WEIGHT -	SCALE 4:1	DRAWING NO. 1883056

Tyco Electronics Corporation
 Harrisburg, PA 17105-3608

AMPLIMITE RECEPTACLE ASSEMBLY
 SERIES 90, CRIMP,
 SIZES 1 THRU 5

CUSTOMER DRAWING