



Chipsmall Limited consists of a professional team with an average of over 10 year of expertise in the distribution of electronic components. Based in Hongkong, we have already established firm and mutual-benefit business relationships with customers from,Europe,America and south Asia,supplying obsolete and hard-to-find components to meet their specific needs.

With the principle of “Quality Parts,Customers Priority,Honest Operation,and Considerate Service”,our business mainly focus on the distribution of electronic components. Line cards we deal with include Microchip,ALPS,ROHM,Xilinx,Pulse,ON,Everlight and Freescale. Main products comprise IC,Modules,Potentiometer,IC Socket,Relay,Connector.Our parts cover such applications as commercial,industrial, and automotives areas.

We are looking forward to setting up business relationship with you and hope to provide you with the best service and solution. Let us make a better world for our industry!



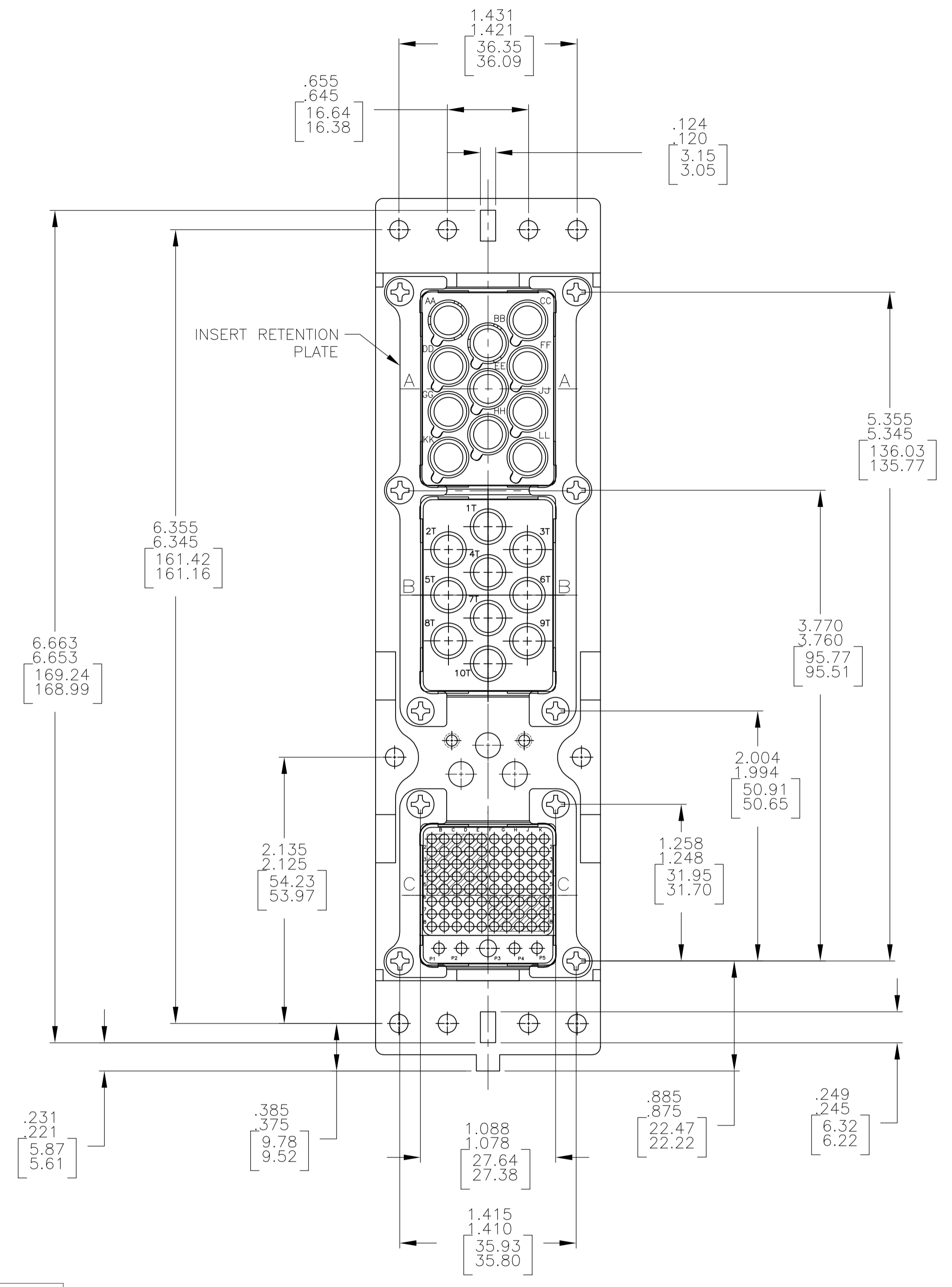
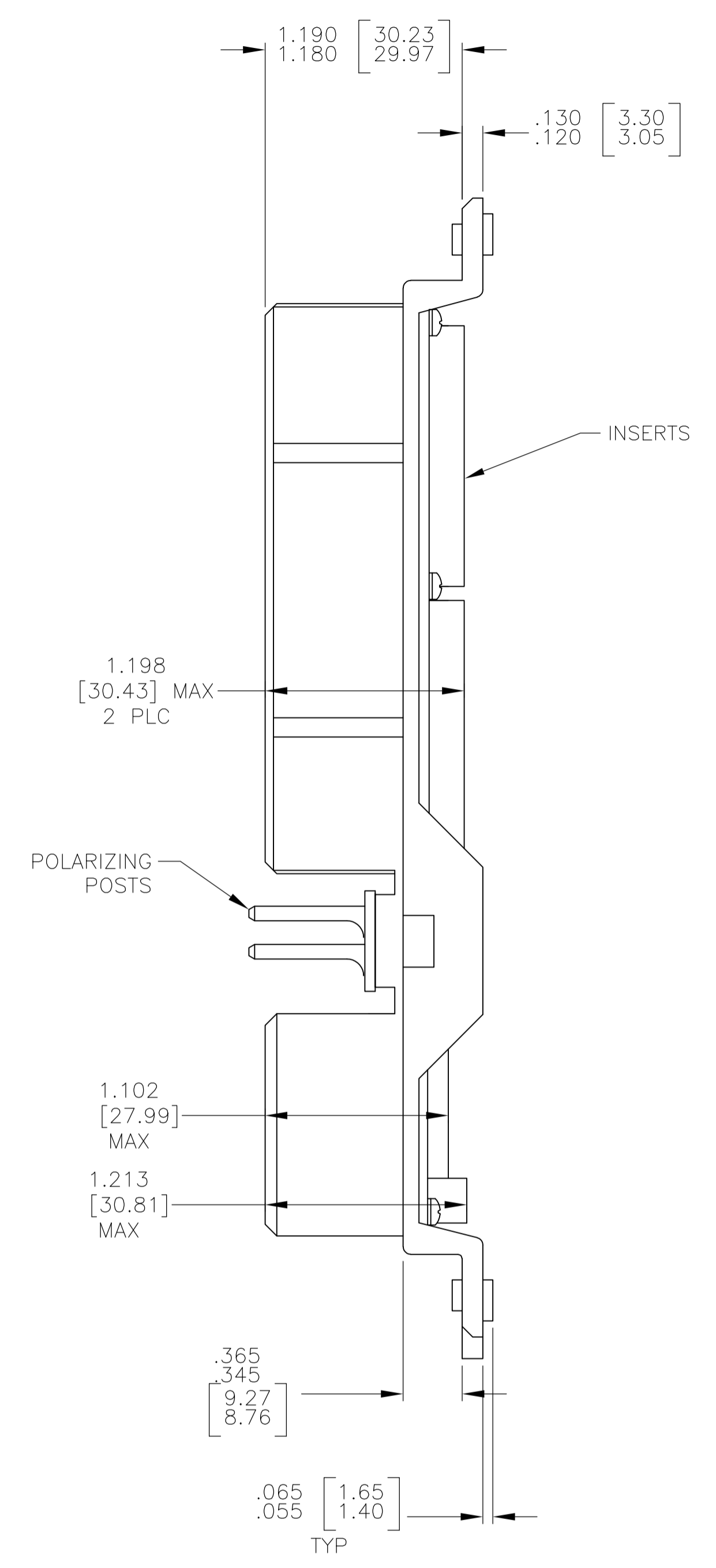
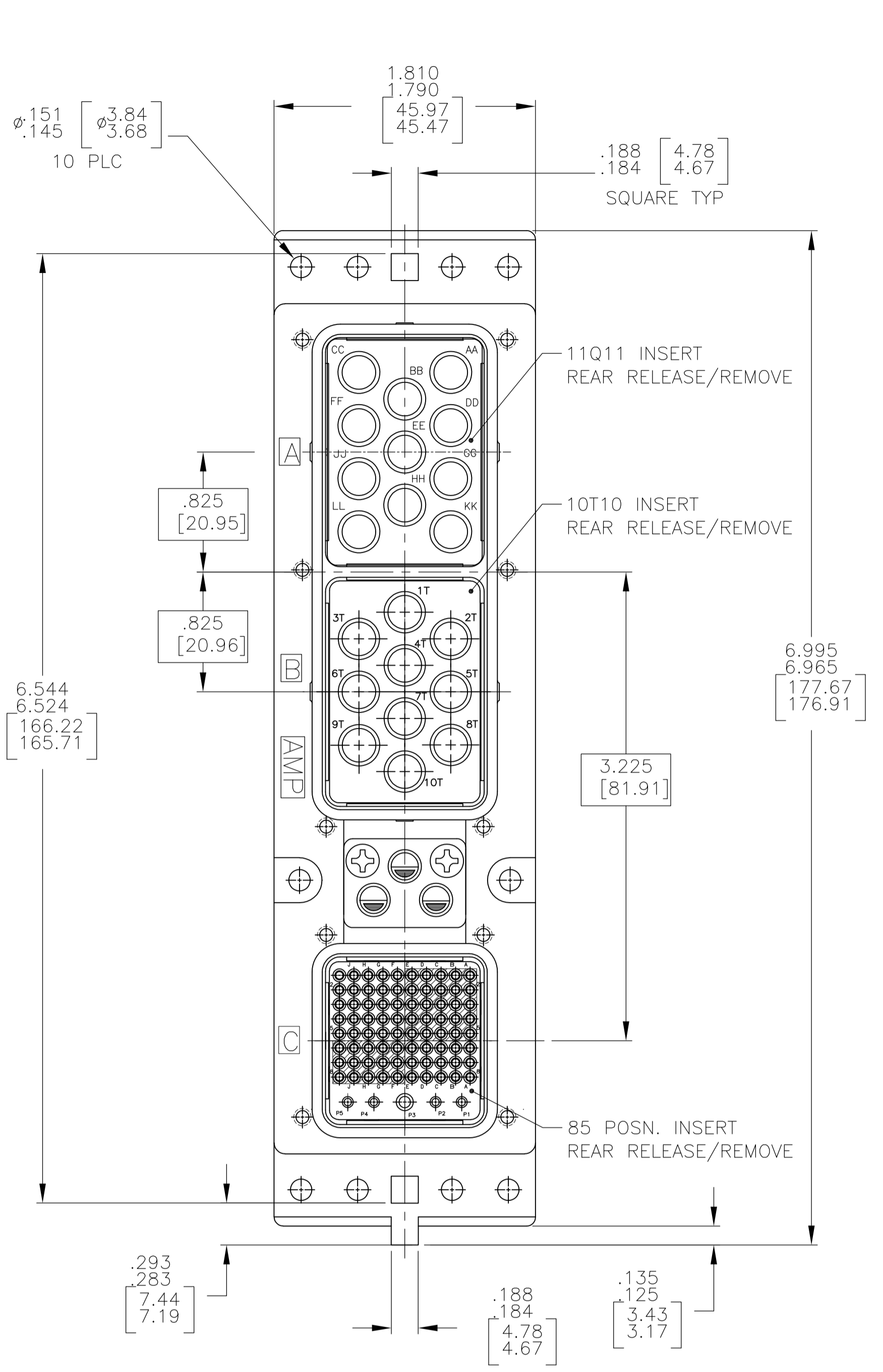
Contact us

Tel: +86-755-8981 8866 Fax: +86-755-8427 6832

Email & Skype: info@chipsmall.com Web: www.chipsmall.com

Address: A1208, Overseas Decoration Building, #122 Zhenhua RD., Futian, Shenzhen, China





- CONNECTOR DIMENSIONS ARE PER ARINC 600 SPECIFICATION
- KEYING SHOWN IN POSITION "01" FOR REFERENCE ONLY. SEE TABLE FOR KEYING POSITION. FOR POSITION "00" KEYING SHIPPED UNASSEMBLED.

COMPONENT	MATERIAL	FINISH
SHELL	DIE CAST ALUMINUM PER ASTM-B-85	ELECTROLESS NICKEL PER MIL-C-26074 CLASS 3 OR 4, GRADE B
RETENTION PLATES	ALUMINUM ALLOY PER ASTM-B-209	ELECTROLESS NICKEL PER MIL-C-26074 CLASS 3 OR 4, GRADE B
SCREWS AND LOCKWASHERS	STAINLESS STEEL	PASSIVATED
POLARIZING POSTS	ZINC ALLOY PER ASTM-B-86	ELECTROLESS NICKEL PER MIL-C-26074 CLASS 4, GRADE B
85 POSN INSERT	THERMOSET	-
11Q11 & 10T10 INSERTS	ALUMINUM ALLOY PER ASTM-B-209	ELECTROLESS NICKEL PER MIL-C-26074 CLASS 3 OR 4, GRADE B
POLARIZING POST RETAINING PLATE	ALUMINUM ALLOY PER ASTM-B-209	BLUE ANODIZED PER MIL-A-8625
FILLER PLUGS	ALUMINUM ALLOY PER ASTM-B-211	ELECTROLESS NICKEL PER MIL-C-26074

192	MODULE A: - MODULE B: - MODULE C: SIZE 22: 208262-3 (QTY=80) SIZE 16: 208270-2 (QTY=1) SIZE 20: 208267-2 (QTY=4)	1883406-2
192	MODULE A: SIZE 8 QUADRAX: 1445693-1 (QTY=4) SIZE 8 FILLER PLUG: 448545-3 (QTY=7) MODULE B: SIZE 8 COAX (RG-316): 1218820-1 (QTY=8) SIZE 8 FILLER PLUG: 448545-3 (QTY=2) MODULE C: SIZE 22: 208262-3 (QTY=80) SIZE 16: 208270-2 (QTY=1) SIZE 20: 208267-2 (QTY=4)	1883406-1
KEYING POSITION	CONTACTS & FILLER PLUGS INCLUDED NOT INSTALLED	PART NUMBER

THIS DRAWING IS A CONTROLLED DOCUMENT.

DIMENSIONS: INCHES	TOLERANCES UNLESS OTHERWISE SPECIFIED: 0 PLC ± - 1 PLC ± - 2 PLC ± - 3 PLC ± - 4 PLC ± .005 (0.13) ANGLES ± -	DIN C.C.THOMAS 4-21-06 CHK K.HOGAN 4-21-06 APVD K.HOGAN 4-21-06	Tyco Electronics Tyco Electronics Corporation Harrisburg, Pa 17105-3608
MATERIAL SEE TABLE	FINISH SEE TABLE	APPLICATION SPEC	NAME PLUG ASSY, SIZE 2, ARINC 600, (11Q11/10T10/85 RR)
		WEIGHT	SIZE CASE CODE DRAWING NO A1 00779 C=1883406
		CUSTOMER DRAWING	RESTRICTED TO SCALE 1.5:1 SHEET 1 OF 1 REV B