



Chipsmall Limited consists of a professional team with an average of over 10 year of expertise in the distribution of electronic components. Based in Hongkong, we have already established firm and mutual-benefit business relationships with customers from,Europe,America and south Asia,supplying obsolete and hard-to-find components to meet their specific needs.

With the principle of “Quality Parts,Customers Priority,Honest Operation,and Considerate Service”,our business mainly focus on the distribution of electronic components. Line cards we deal with include Microchip,ALPS,ROHM,Xilinx,Pulse,ON,Everlight and Freescale. Main products comprise IC,Modules,Potentiometer,IC Socket,Relay,Connector.Our parts cover such applications as commercial,industrial, and automotives areas.

We are looking forward to setting up business relationship with you and hope to provide you with the best service and solution. Let us make a better world for our industry!



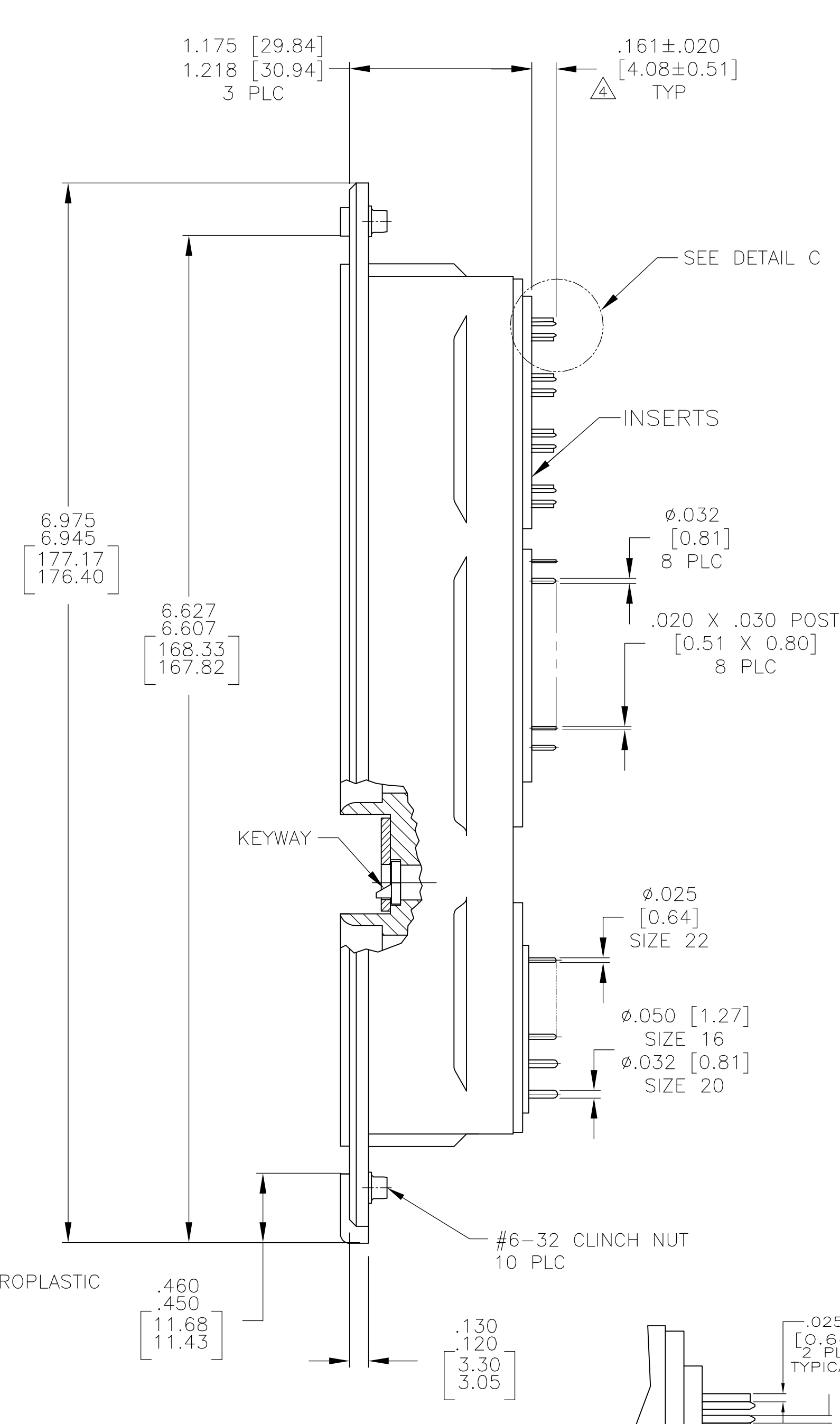
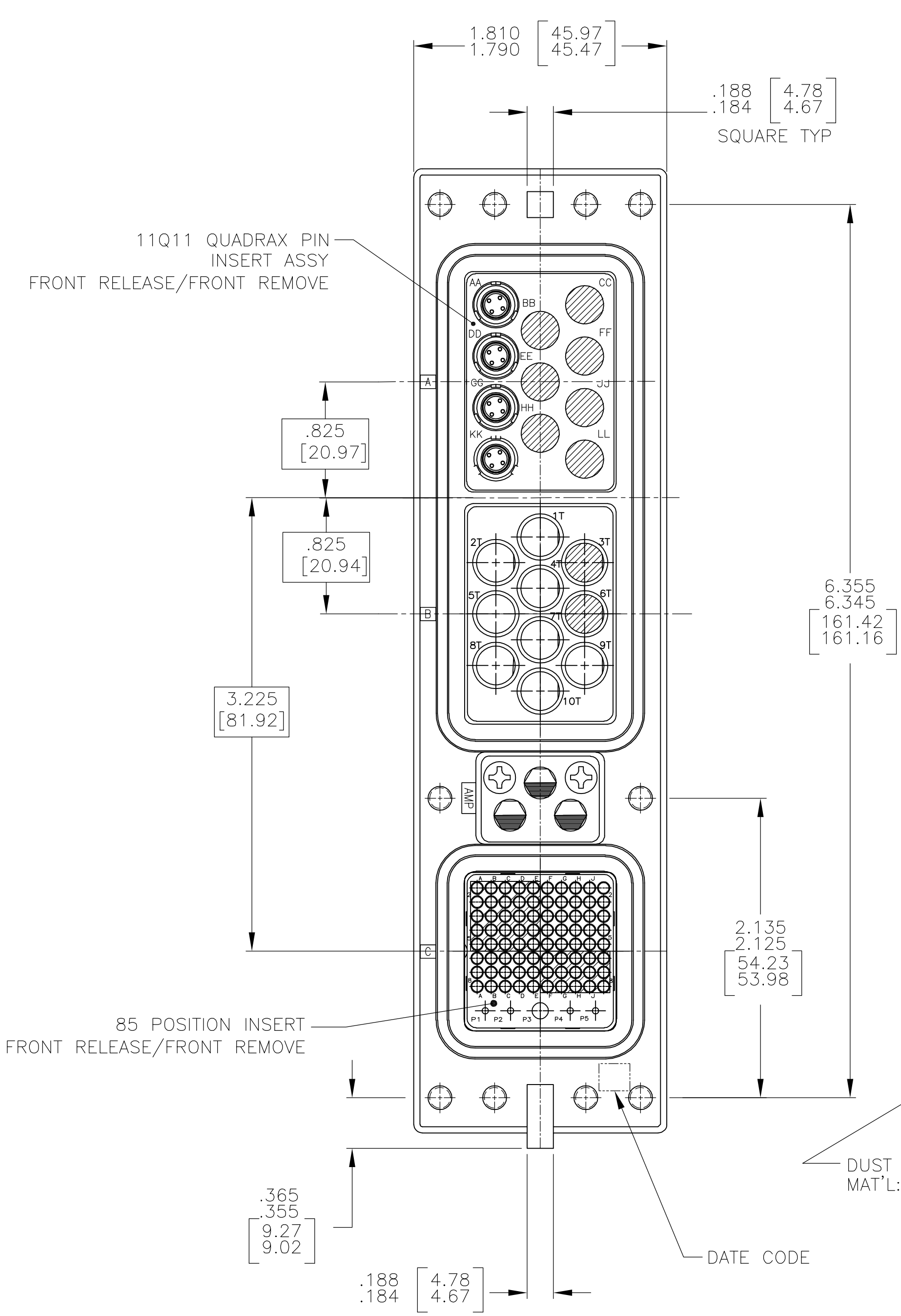
Contact us

Tel: +86-755-8981 8866 Fax: +86-755-8427 6832

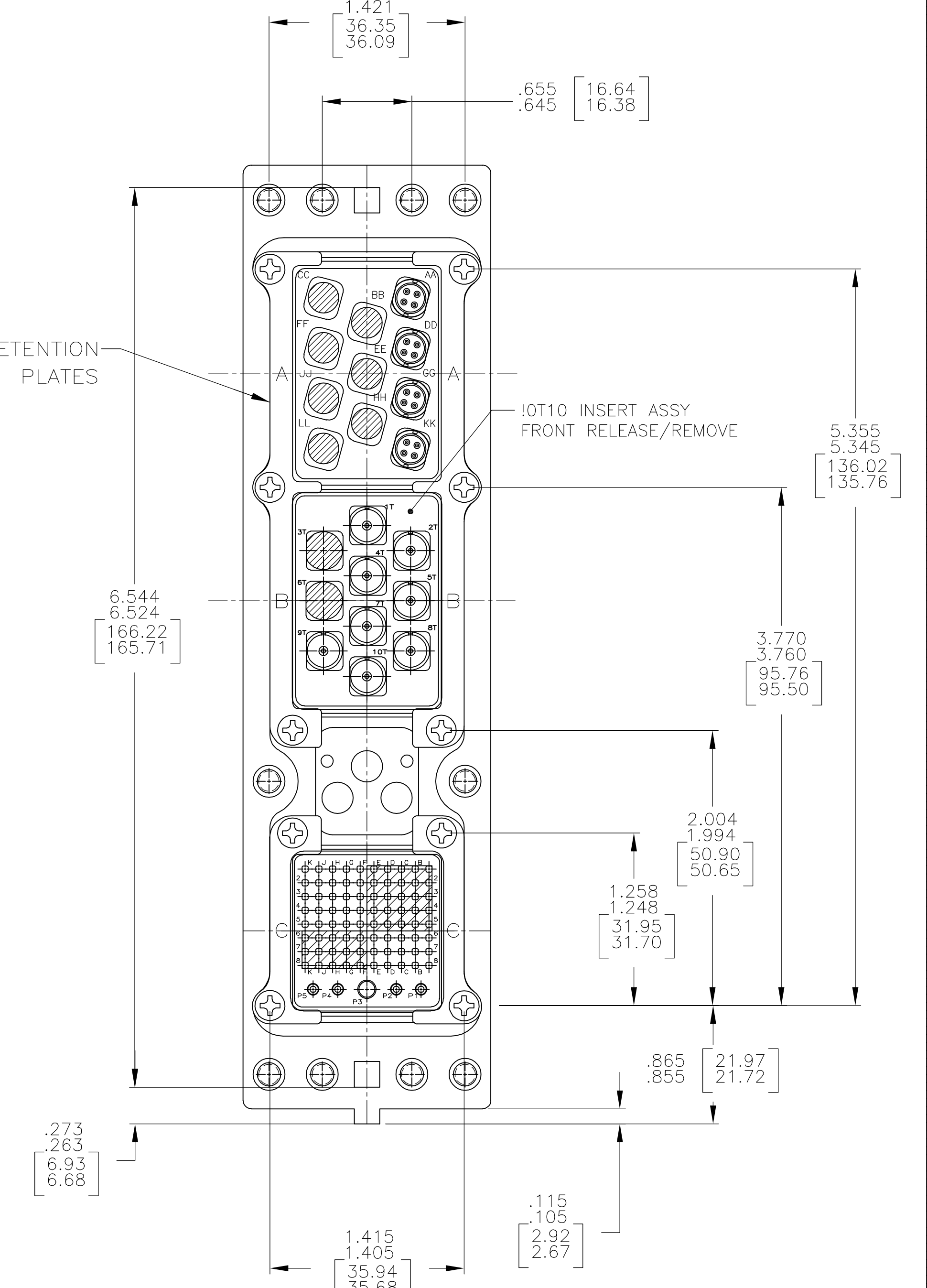
Email & Skype: info@chipsmall.com Web: www.chipsmall.com

Address: A1208, Overseas Decoration Building, #122 Zhenhua RD., Futian, Shenzhen, China





DETAIL C
SCALE 4:1



- CONNECTOR DIMENSIONS ARE PER ARINC 600 SPECIFICATION UNLESS OTHERWISE SPECIFIED.
- CONNECTOR IS SUPPLIED WITH CONTACTS (PER TABLE) ASSEMBLED AS SHOWN.
- KEYING SHOWN IN POSITION "01" FOR ILLUSTRATION ONLY. CONNECTORS SHIPPED WITH KEYING INSTALLED IN POSITION PER TABLE.
- WITH CONTACT FULLY SEATED TO REAR OF CAVITY.
- FILLER PLUGS ARE SHOWN AS CROSSHATCHED AREAS IN CAVITIES.

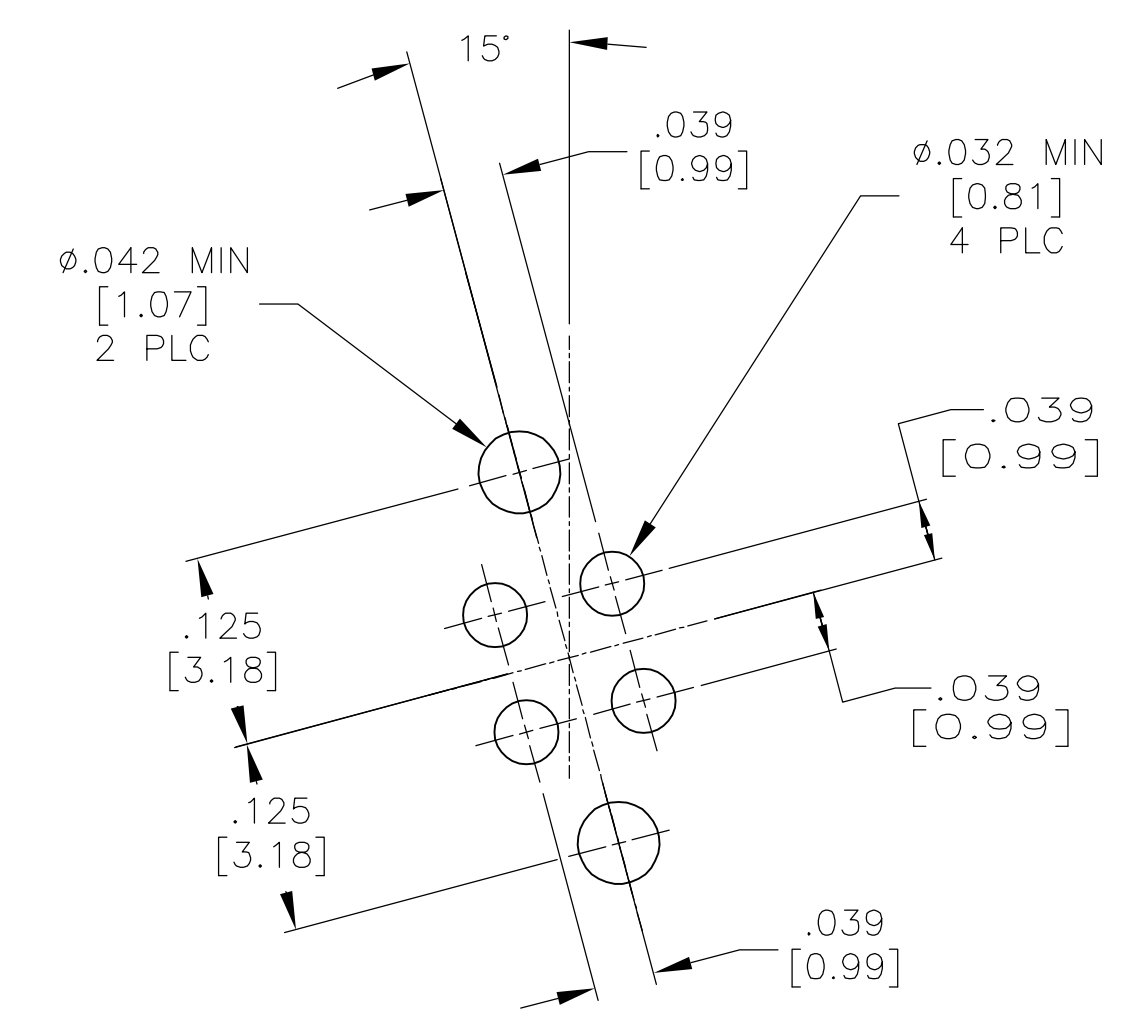
COMPONENT	MATERIAL	FINISH
SHELL	DIE CAST ALUMINUM PER ASTM-B-85	ELECTROLESS NICKEL PER MIL-C-26074, CLASS 3 OR 4, GRADE B
RETENTION PLATES	ALUMINUM ALLOY PER ASTM-B-209	ELECTROLESS NICKEL PER MIL-C-26074, CLASS 3 OR 4, GRADE B
SCREWS	STAINLESS STEEL	-
KEYWAY	ZINC ALLOY PER ASTM-B-86	-
85 POSN. INSERT	THERMOSET	-
KEYWAY RETAINING PLATE	ALUMINUM ALLOY PER ASTM-B-209	BLUE ANODIZED PER MIL-A-8625
11Q11 & 10T10 INSERT	ALUMINUM ALLOY PER ASTM-B-209	ELECTROLESS NICKEL PER MIL-C-26074, CLASS 3 OR 4, GRADE B
FILLER PLUGS	ALUMINUM ALLOY PER ASTM-B-211	ELECTROLESS NICKEL PER MIL-C-26074

192	MODULE A: SIZE 8 QUADRAx: 1445626-3 (QTY=4) SIZE 8 FILLER PLUG: 1663983-1 (QTY=7) CONTACTS & PLUGS LOADED AS SHOWN	1883407-1
	MODULE B: SIZE 8 COAX: 448540-4 (QTY=8) SIZE 8 FILLER PLUG: 1663983-3 (QTY=2) CONTACTS & PLUGS LOADED AS SHOWN	
KEYING POSITION	CONTACTS & FILLER PLUGS INCLUDED AND INSTALLED	PART NUMBER

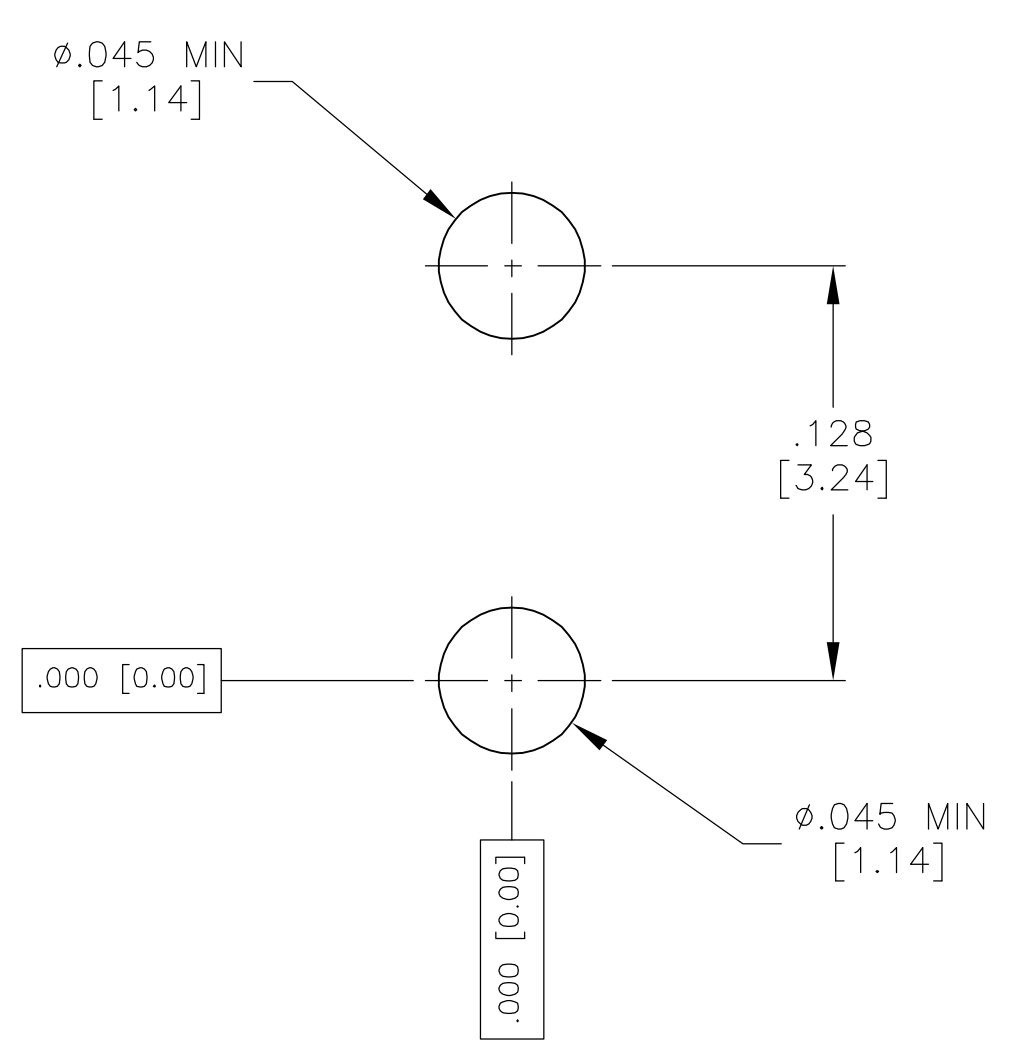
THIS DRAWING IS A CONTROLLED DOCUMENT.

DIMENSIONS: INCHES [mm]	TOLERANCES UNLESS OTHERWISE SPECIFIED:	DIN C.C.THOMAS 4-20-06	APVD K.HOGAN 4-20-06	NAME RCPT ASSY, SIZE 2, ARINC 600 (11Q11/10T10/85 FR)
0 PLC ± -	1 PLC ± -	2 PLC ± -	3 PLC ± .001 [0.03]	4 PLC ± -
ANGLES ± -				
MATERIAL SEE TABLE	FINISH SEE TABLE	WEIGHT -	SIZE A1 00779	CAGE CODE 1883407
CUSTOMER DRAWING		SCALE 1.5:1	SHEET 1 OF 2	REV C

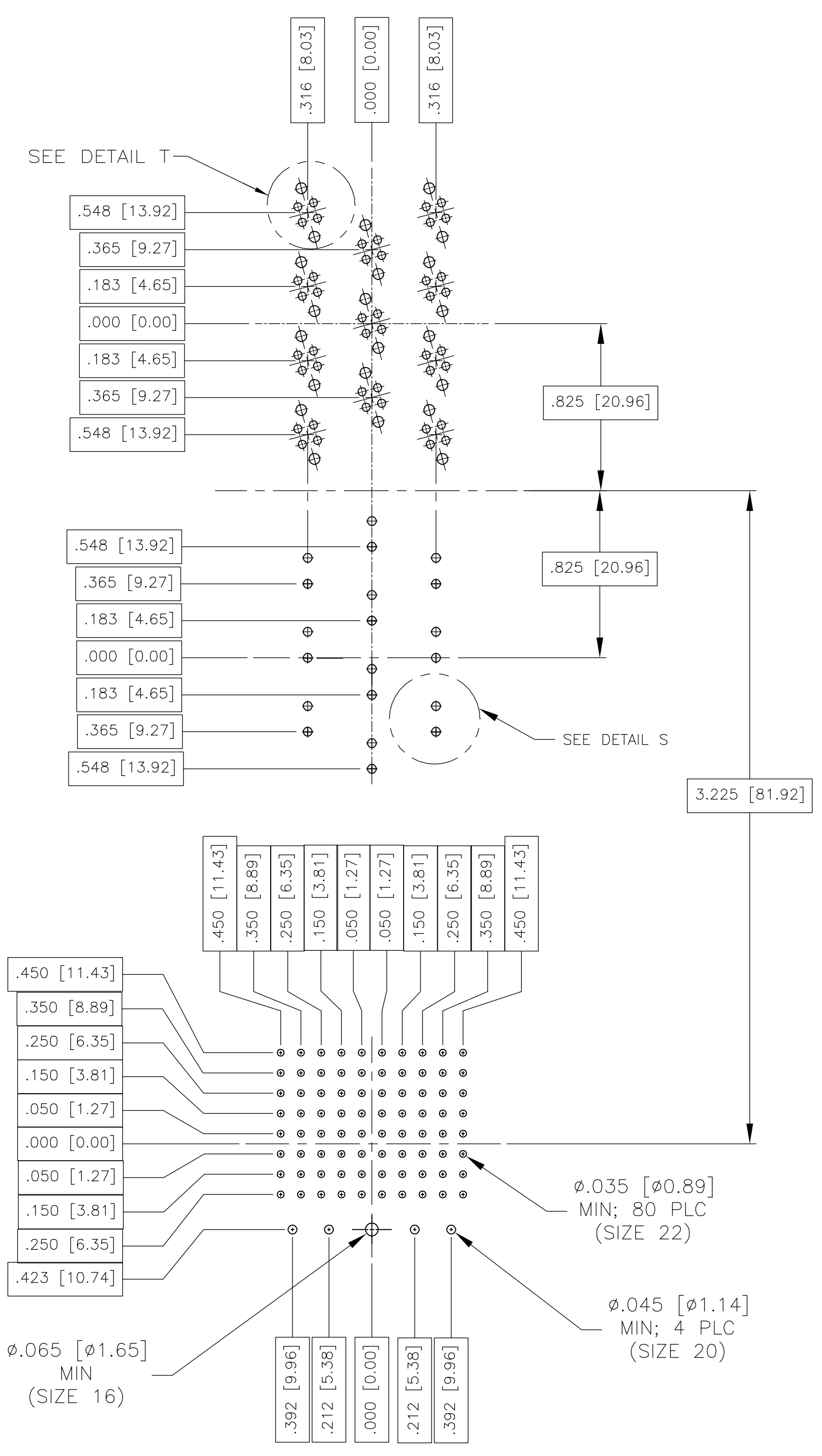
AMP Tyco Electronics Corporation Harrisburg, PA 17105-3608



DETAIL T
SCALE NTS
4 PLC



DETAIL S
SCALE NTS
10 PLC



THIS DRAWING IS A CONTROLLED DOCUMENT.		DIN C.C.THOMAS 4-20-06		Tyco Electronics Corporation Harrisburg, Pa 17105-3608																			
DIMENSIONS: INCHES [mm]		CHK K.HOGAN 4-20-06		NAME RCPT ASSY, SIZE 2, ARINC 600 (11Q11/10T10/85 FR)																			
TOLERANCES UNLESS OTHERWISE SPECIFIED:		APVD K.HOGAN 4-20-06	APPLICATION SPEC																				
<table border="1"> <tr><td>0 PLC</td><td>±</td><td>-</td></tr> <tr><td>1 PLC</td><td>±</td><td>-</td></tr> <tr><td>2 PLC</td><td>±</td><td>-</td></tr> <tr><td>3 PLC</td><td>±</td><td>-</td></tr> <tr><td>4 PLC</td><td>±</td><td>-</td></tr> <tr><td>ANGLES</td><td>±</td><td>±</td></tr> </table>		0 PLC	±	-	1 PLC	±	-	2 PLC	±	-	3 PLC	±	-	4 PLC	±	-	ANGLES	±	±	SIZE A1		CAGE CODE 00779	DRAWING NO 1883407
0 PLC	±	-																					
1 PLC	±	-																					
2 PLC	±	-																					
3 PLC	±	-																					
4 PLC	±	-																					
ANGLES	±	±																					
MATERIAL SEE TABLE		WEIGHT -		RESTRICTED TO -																			
FINISH SEE TABLE		CUSTOMER DRAWING		SCALE 1.5:1	SHEET 2 OF 2																		