



Chipsmall Limited consists of a professional team with an average of over 10 year of expertise in the distribution of electronic components. Based in Hongkong, we have already established firm and mutual-benefit business relationships with customers from,Europe,America and south Asia,supplying obsolete and hard-to-find components to meet their specific needs.

With the principle of “Quality Parts,Customers Priority,Honest Operation,and Considerate Service”,our business mainly focus on the distribution of electronic components. Line cards we deal with include Microchip,ALPS,ROHM,Xilinx,Pulse,ON,Everlight and Freescale. Main products comprise IC,Modules,Potentiometer,IC Socket,Relay,Connector.Our parts cover such applications as commercial,industrial, and automotives areas.

We are looking forward to setting up business relationship with you and hope to provide you with the best service and solution. Let us make a better world for our industry!



Contact us

Tel: +86-755-8981 8866 Fax: +86-755-8427 6832

Email & Skype: info@chipsmall.com Web: www.chipsmall.com

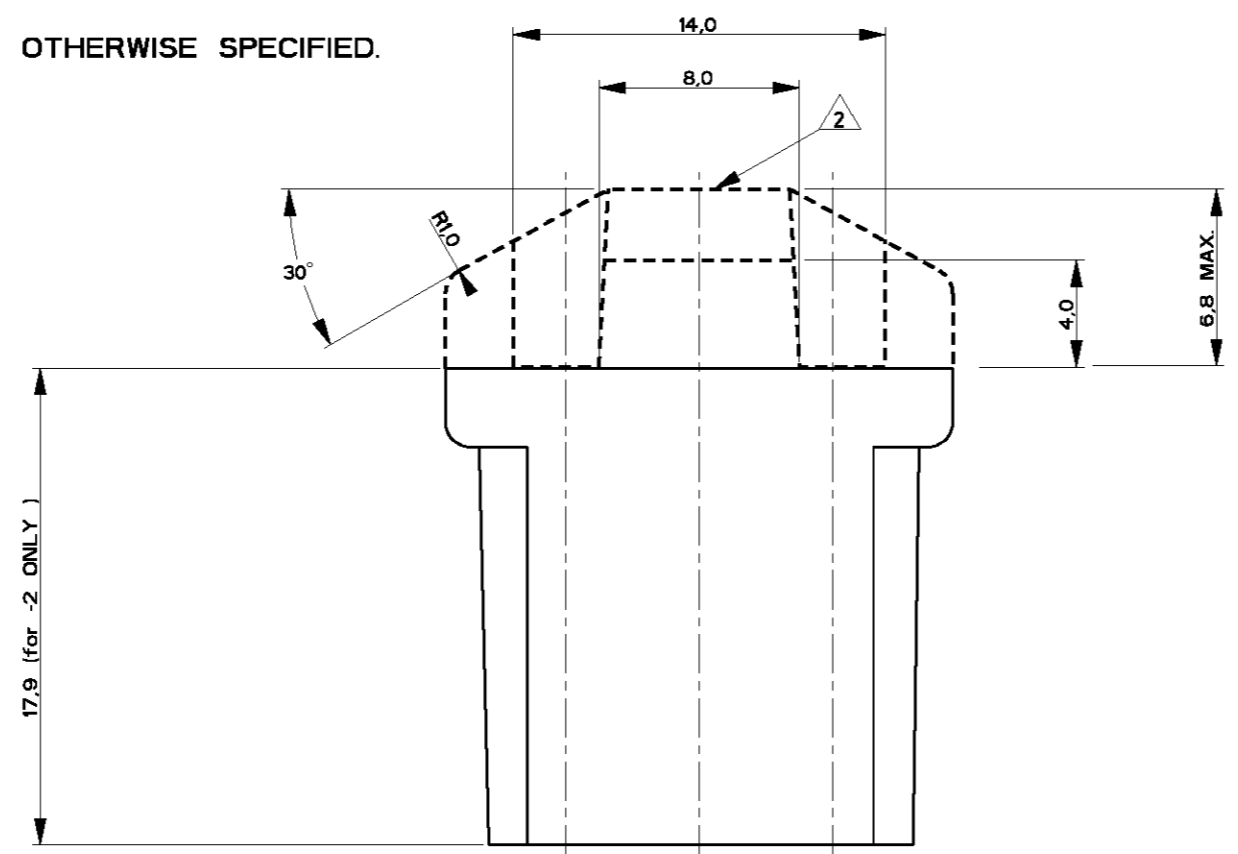
Address: A1208, Overseas Decoration Building, #122 Zhenhua RD., Futian, Shenzhen, China



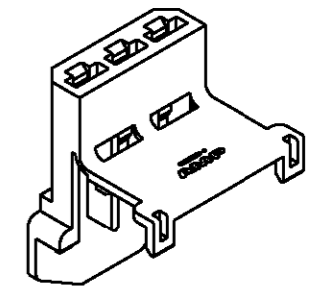
THIS DRAWING IS UNPUBLISHED. RELEASED FOR PUBLICATION
 © COPYRIGHT - BY TYCO ELECTRONICS CORPORATION. ALL RIGHTS RESERVED.

LOC	DIST	REVISIONS			
P	LTR	DESCRIPTION	DATE	DWN	APVD
H	-	C	EHB0-0110-04	30SEP04	RvH MvD

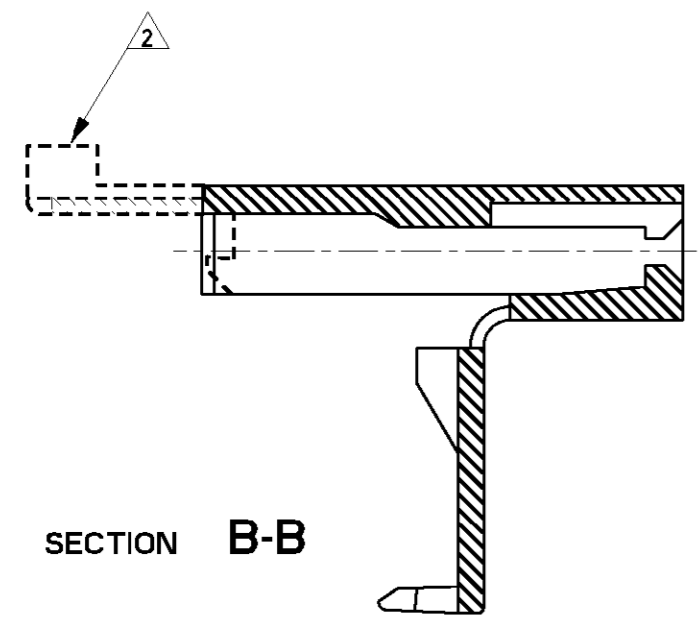
NOTES:
 1 GENERAL TOLERANCE $\pm 0,3$ UNLESS OTHERWISE SPECIFIED.
 2 : DOTTED LINES : CONFIGURATION FOR -1 ONLY



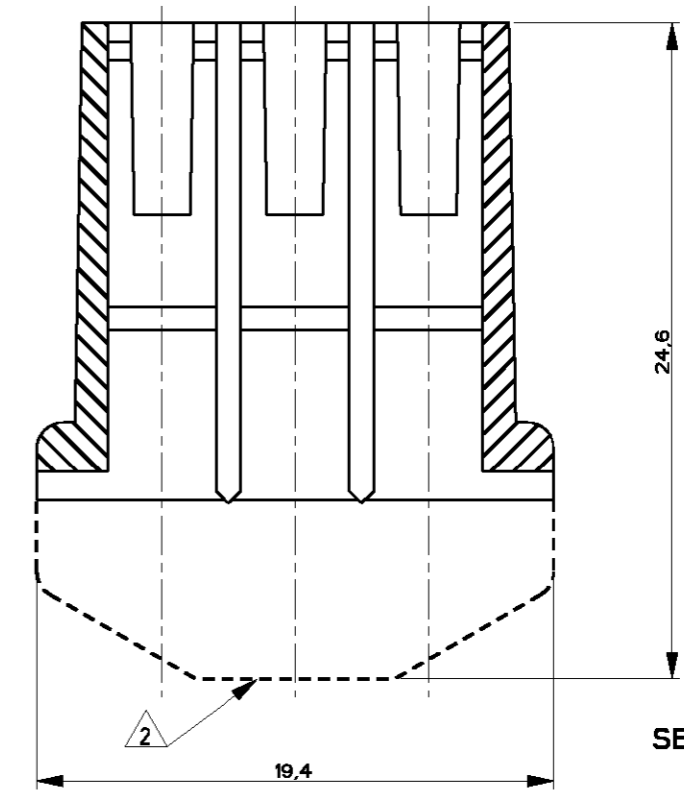
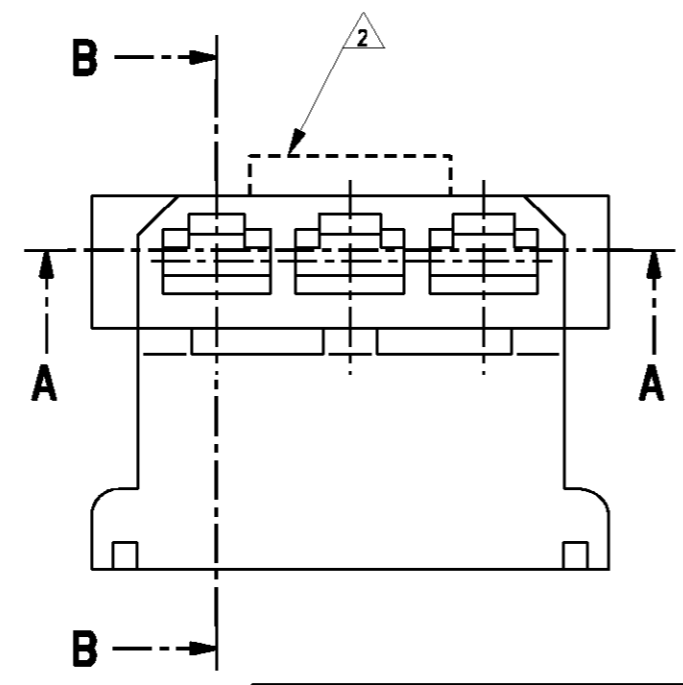
-2 AS SHOWN



3-VIEW FOR -1 ONLY



SECTION B-B



SECTION A-A

BLACK	NYLON UNFILLED	0-188342-2
BLACK	NYLON UNFILLED	0-188342-1
FINISH	MATERIAL	PARTNUMBER

<small>THIS DRAWING IS A CONTROLLED DOCUMENT FOR TYCO ELECTRONICS CORPORATION IT IS SUBJECT TO CHANGE AND THE CONTROLLING ENGINEERING ORGANIZATION SHOULD BE CONTACTED FOR THE LATEST REVISION.</small>		DWN RvHEUVEN	40CT04		TYCO ELECTRONICS NEDERLAND B.V. 's-HERTOGENBOSCH, THE NETHERLANDS		
DIMENSIONS: mm		CHK -			NAME 3 POS. FAST-ON HOUSING WITH SECOND LOCKING	RESTRICTED TO -	
TOLERANCES UNLESS OTHERWISE SPECIFIED: 0 PLC \pm 1 PLC \pm 2 PLC \pm 3 PLC \pm 4 PLC \pm ANGLES \pm		APVD MvDRIEL	40CT04	SIZE A3	CAGE CODE 00779	DRAWING NO C=188342	
MATERIAL -		PRODUCT SPEC -	APPLICATION SPEC -	WEIGHT -	SCALE NTS	SHEET 1 OF 1	REV C
CUSTOMER DRAWING				SCALE NTS SHEET 1 OF 1 REV C			