



Chipsmall Limited consists of a professional team with an average of over 10 year of expertise in the distribution of electronic components. Based in Hongkong, we have already established firm and mutual-benefit business relationships with customers from,Europe,America and south Asia,supplying obsolete and hard-to-find components to meet their specific needs.

With the principle of "Quality Parts,Customers Priority,Honest Operation,and Considerate Service",our business mainly focus on the distribution of electronic components. Line cards we deal with include Microchip,ALPS,ROHM,Xilinx,Pulse,ON,Everlight and Freescale. Main products comprise IC,Modules,Potentiometer,IC Socket,Relay,Connector.Our parts cover such applications as commercial,industrial, and automotives areas.

We are looking forward to setting up business relationship with you and hope to provide you with the best service and solution. Let us make a better world for our industry!



## Contact us

Tel: +86-755-8981 8866 Fax: +86-755-8427 6832

Email & Skype: info@chipsmall.com Web: www.chipsmall.com

Address: A1208, Overseas Decoration Building, #122 Zhenhua RD., Futian, Shenzhen, China



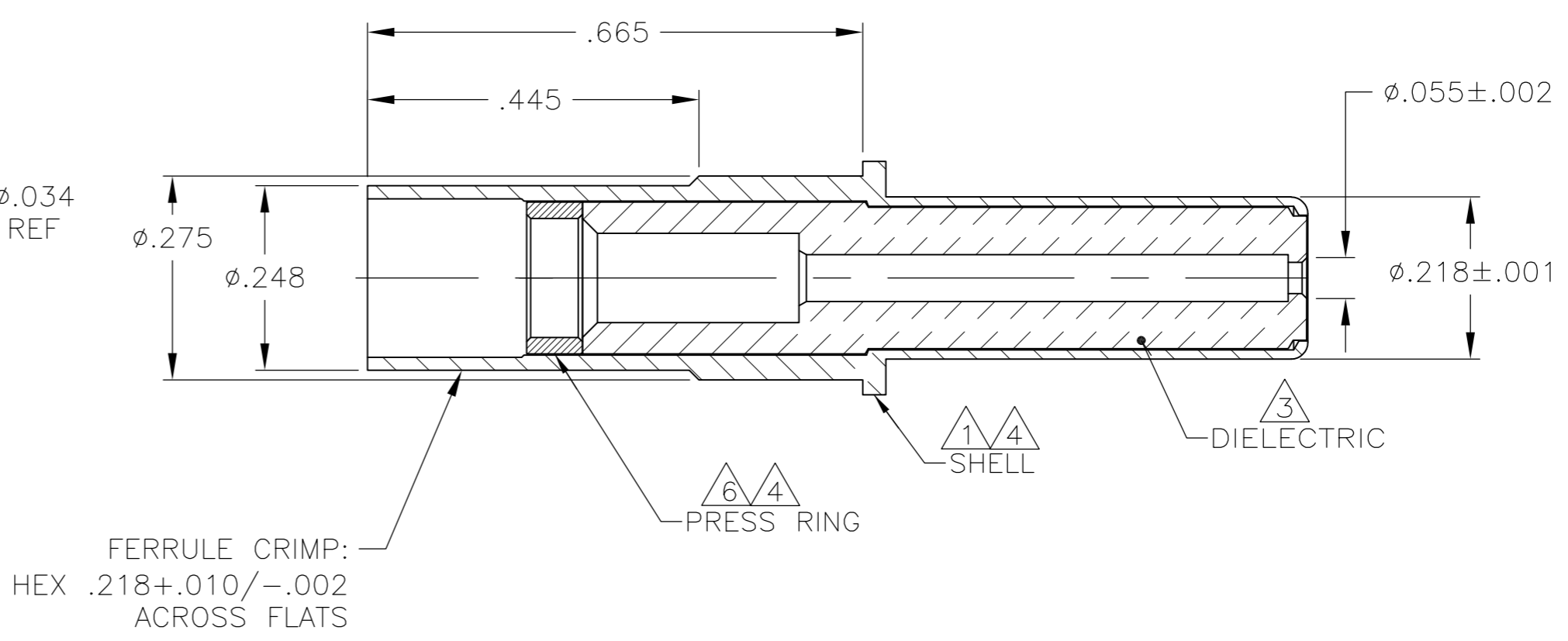
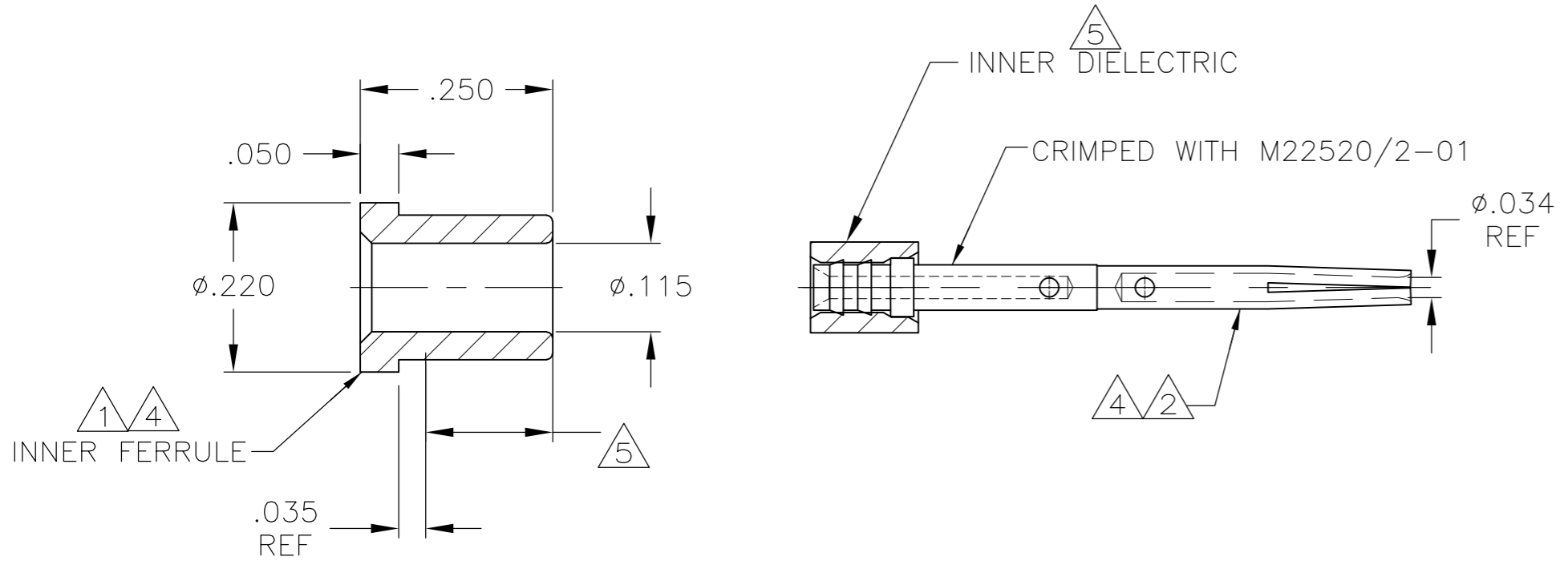
THIS DRAWING IS UNPUBLISHED. RELEASED FOR PUBLICATION - N/A .  
 © COPYRIGHT N/A By - ALL RIGHTS RESERVED.

DESIGNED TO USE  
RG-179 CABLE

|                       |      |
|-----------------------|------|
| JACKET O.D.:          | .100 |
| DIA OVER DIELECTRIC:  | .063 |
| INNER CONDUCTOR O.D.: | .012 |

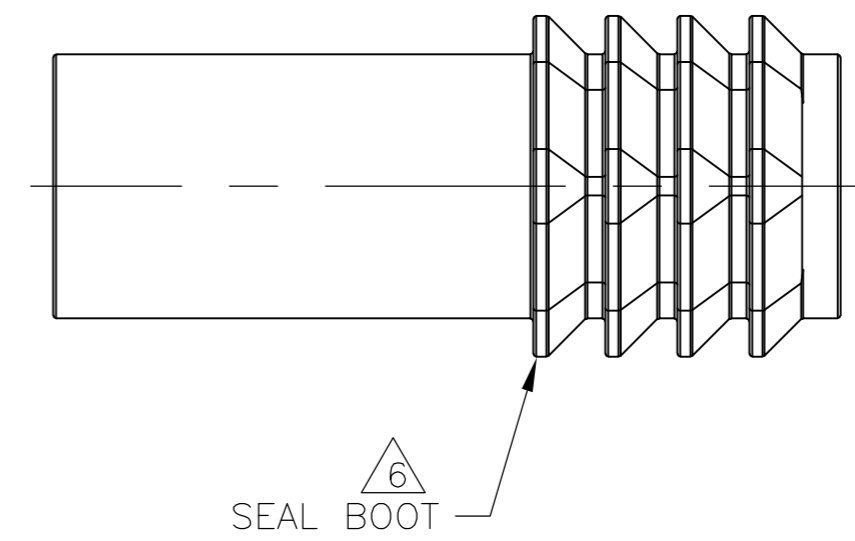
| REVISIONS |     |                       |         |     |      |
|-----------|-----|-----------------------|---------|-----|------|
| P         | LTR | DESCRIPTION           | DATE    | DWN | APVD |
| E         |     | REV PER ECO 15-002651 | 2-25-15 | CT  | EO   |

- 1 MAT'L: BRASS PER ASTM-B-16
- 2 MAT'L: BERYLLIUM COPPER PER ASTM-B-196.
- 3 MAT'L: PTFE PER ASTM-D-1710.
- 4 FINISH: GOLD PLATE PER MIL-G-45204, TYPE 1, GRADE C, CLASS 1 OVER NICKEL .000050 THK PER QQ-N-290, CLASS 2.
- 5 160 DP. FULL DIAMOND KNURL OVER THIS LENGTH.
- 6 SILICONE RUBBER PER ZZ-R-765.



ASSEMBLY PROCEDURE:

1. STRIP OUTER INSULATION BACK FROM CABLE .600 INCH.
2. SLIGHTLY FLARE THE SHIELD AND TRIM APPROX. .25 INCH OF THE DIELECTRIC, CENTER CONDUCTOR AND FILLER.
3. SLIDE FERRULE OVER STRIPPED END OF CABLE UNTIL KNURLED END IS EVEN WITH CABLE JACKET.
4. COMB OUT SHIELD, FOLD SHIELD BACK OVER THE KNURLED PORTION OF THE FERRULE. TRIM THE SHIELD EVEN WITH THE BOTTOM OF THE FERRULE CAP.
5. TRIM THE DIELECTRIC APPROX. .550 INCH FROM THE END OF THE FOLDED BACK SHIELD.
6. TRIM THE CENTER CONDUCTOR .330 INCH FROM THE END OF THE DIELECTRIC.
7. INSERT THE CENTER CONDUCTOR INTO THE CENTER CONTACT SUB-ASSY UNTIL THE CABLE DIELECTRIC BOTTOMS AGAINST THE CONTACT DIELECTRIC. CRIMP THE CENTER CONDUCTOR USING A M22520/2-01 CRIMP TOOL SET AT SELECTOR SWITCH POSITION #5. IT IS EASIER TO LOCATE CRIMP BY PARTIALLY CLOSING THE CRIMP TEETH UNTIL THE CONTACT DIELECTRIC RESTS AGAINST THE TEETH AND THEN COMPLETE CRIMP.
8. SLIDE CRIMPED CENTER CONTACT SUB-ASSEMBLY INTO BODY HOUSING AND SEAT FERRULE. CRIMP FERRULE USING AN M22520/5-01 HANDTOOL AND DIE SET M22520/5-45 OR EQUIVALENT (.218 HEX CRIMP) CENTERING CRIMP BETWEEN FERRULE CAP AND .275 DIAMETER OF CONTACT. (.445 LENGTH SHOWN ABOVE)



1883433-1  
PART NUMBER

|  |  |                  |            |         |       |   |           |            |
|--|--|------------------|------------|---------|-------|---|-----------|------------|
| THIS DRAWING IS A CONTROLLED DOCUMENT. |  | DWN              | C.C.THOMAS | 10-5-06 |       | CONTACT ASSY, SIZE 8, GENERAL PURPOSE RCPT. |           |            |
| DIMENSIONS: INCHES                     |  | CHK              | R.GROSS    | 10-5-06 |       | NAME  | -         |            |
| TOLERANCES UNLESS OTHERWISE SPECIFIED: |  | APVD             | R.GROSS    | 10-5-06 |       | SIZE  | CAGE CODE | DRAWING NO |
| 0 PLC ± -                              |  | PRODUCT SPEC     | -          |         |       | A2  | 00779     | C=1883433  |
| 1 PLC ± -                              |  | APPLICATION SPEC | -          |         | SCALE | 5:1   |           |            |
| 2 PLC ± -                              |  | WEIGHT           | -          |         | SHEET | 1 of 1                                      |           |            |
| 3 PLC ± .005                           |  | CUSTOMER DRAWING | -          |         | REV   | E   |           |            |
| 4 PLC ± -                              |  |                  |            |         |       |   |           |            |
| ANGLES ± -                             |  |                  |            |         |       |   |           |            |
| FINISH                                 |  |                  |            |         |       |   |           |            |
| SEE CALLOUTS                           |  |                  |            |         |       |   |           |            |