



Chipsmall Limited consists of a professional team with an average of over 10 year of expertise in the distribution of electronic components. Based in Hongkong, we have already established firm and mutual-benefit business relationships with customers from,Europe,America and south Asia,supplying obsolete and hard-to-find components to meet their specific needs.

With the principle of “Quality Parts,Customers Priority,Honest Operation,and Considerate Service”,our business mainly focus on the distribution of electronic components. Line cards we deal with include Microchip,ALPS,ROHM,Xilinx,Pulse,ON,Everlight and Freescale. Main products comprise IC,Modules,Potentiometer,IC Socket,Relay,Connector.Our parts cover such applications as commercial,industrial, and automotives areas.

We are looking forward to setting up business relationship with you and hope to provide you with the best service and solution. Let us make a better world for our industry!



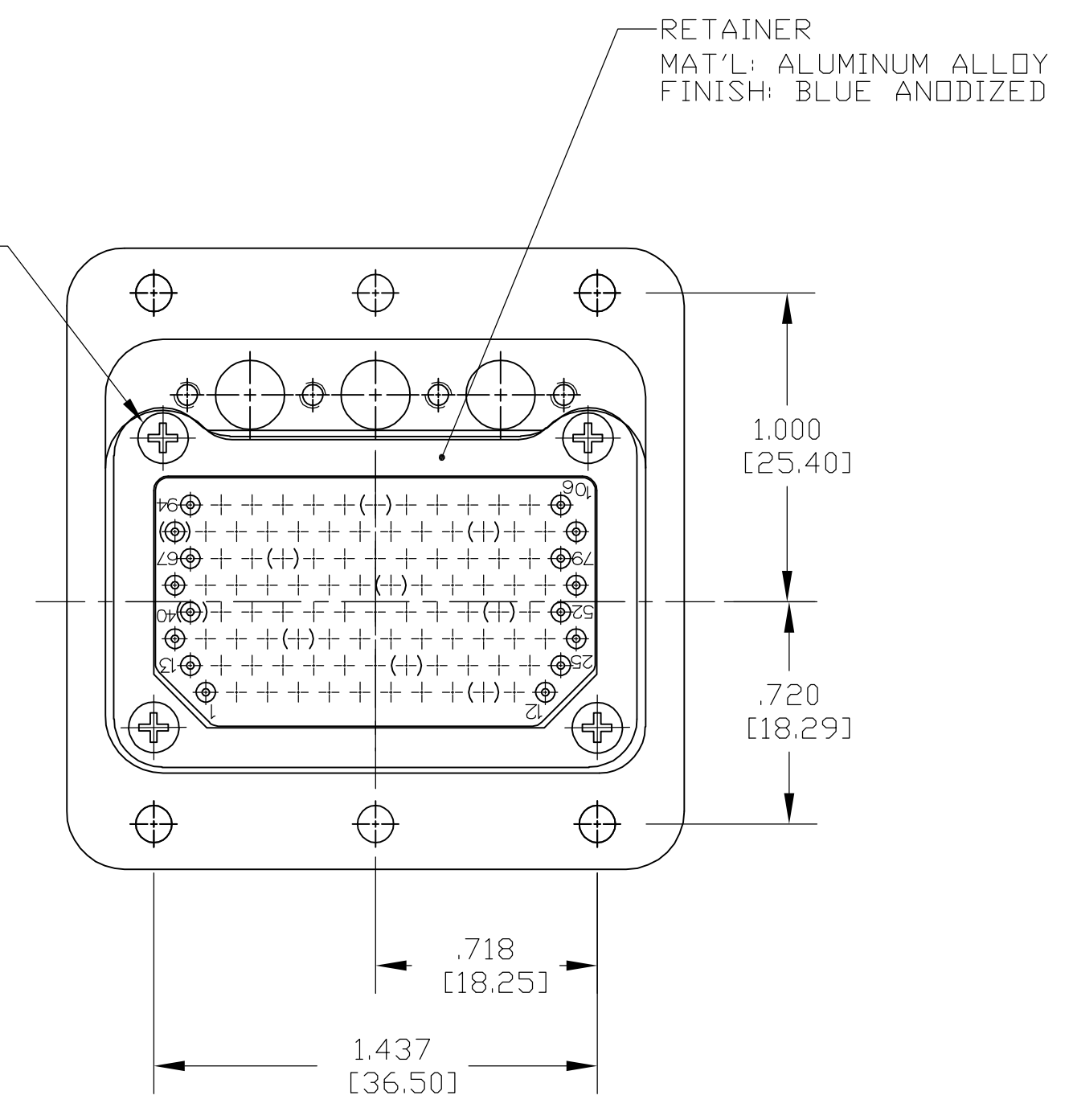
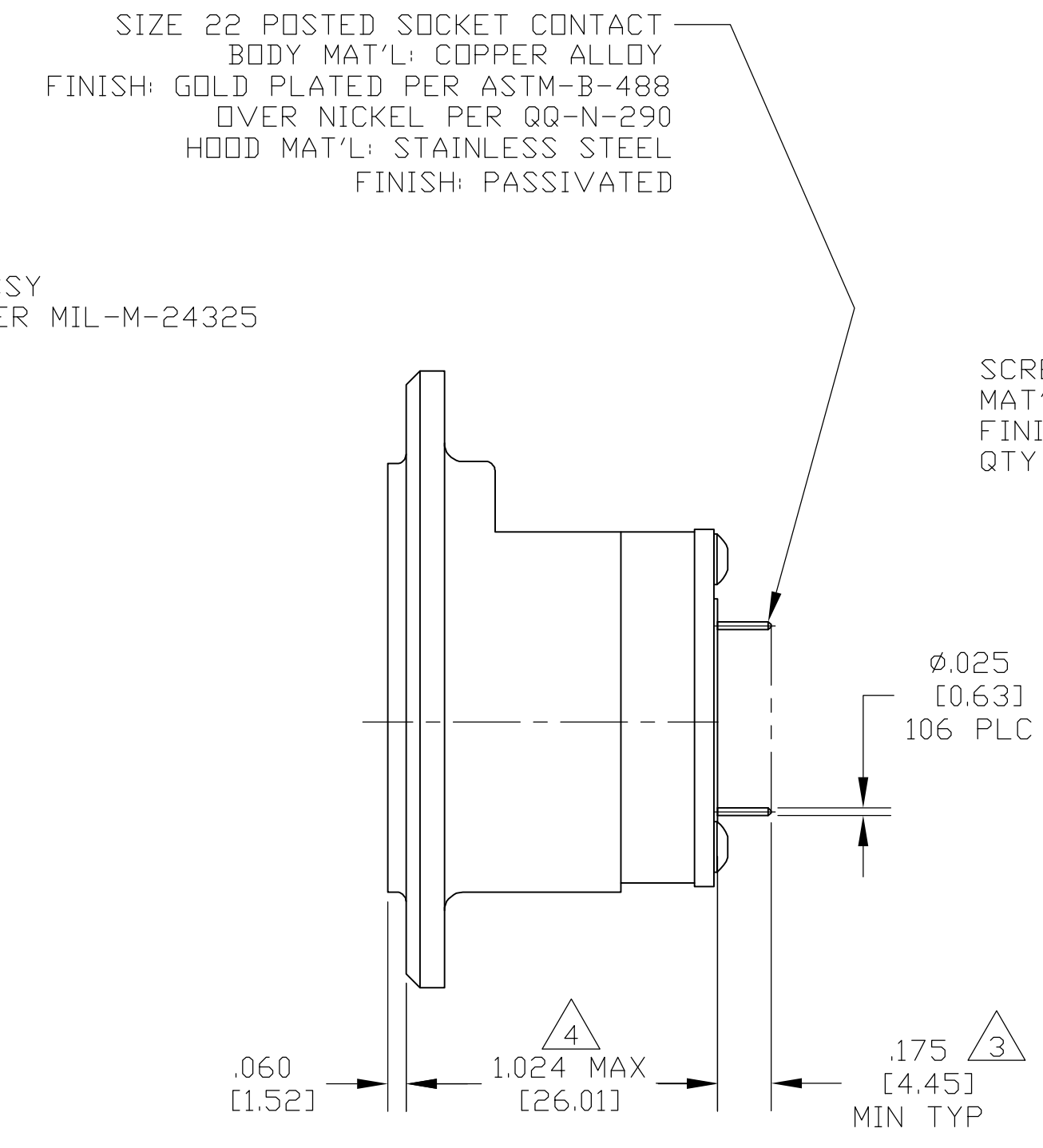
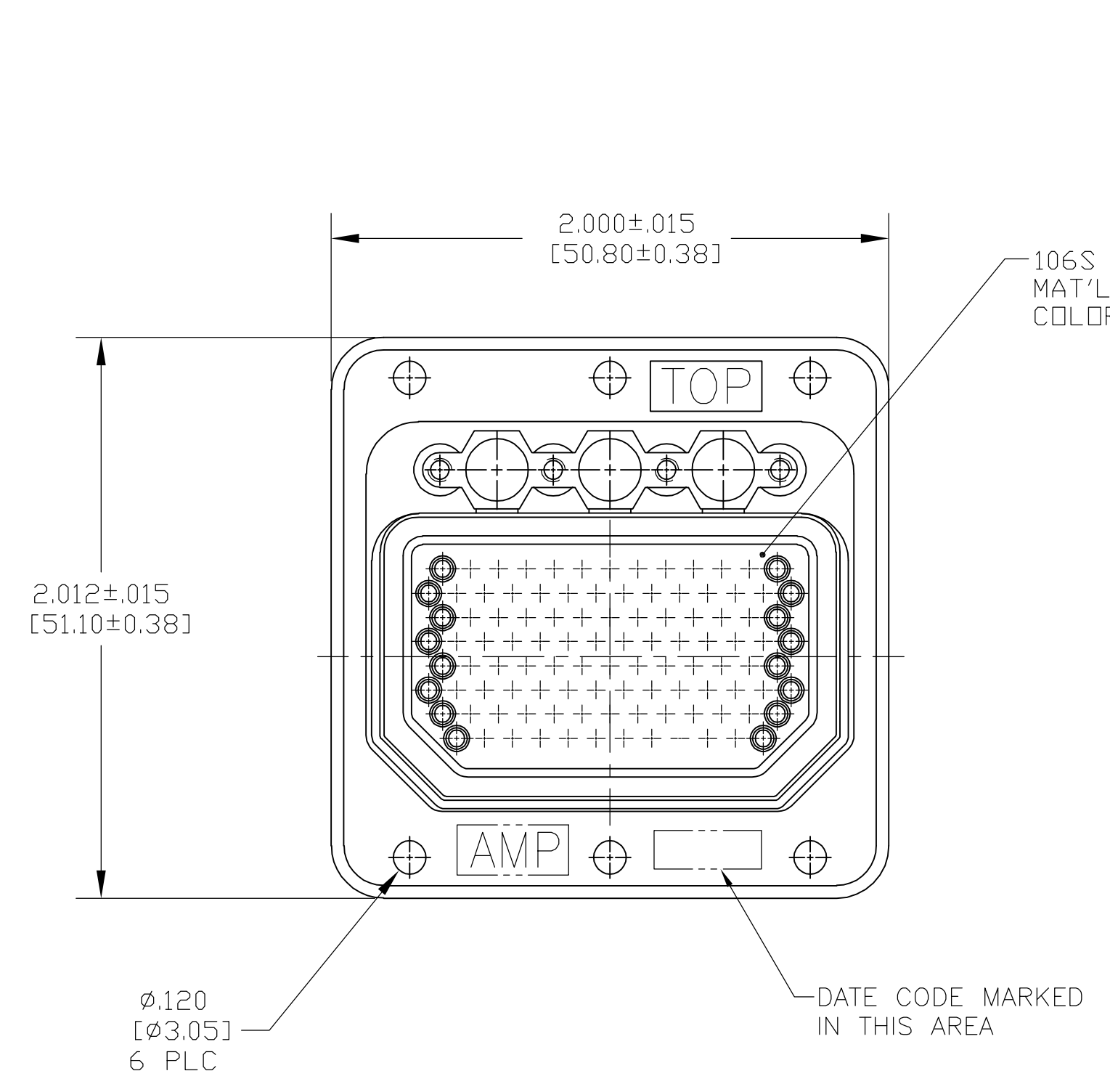
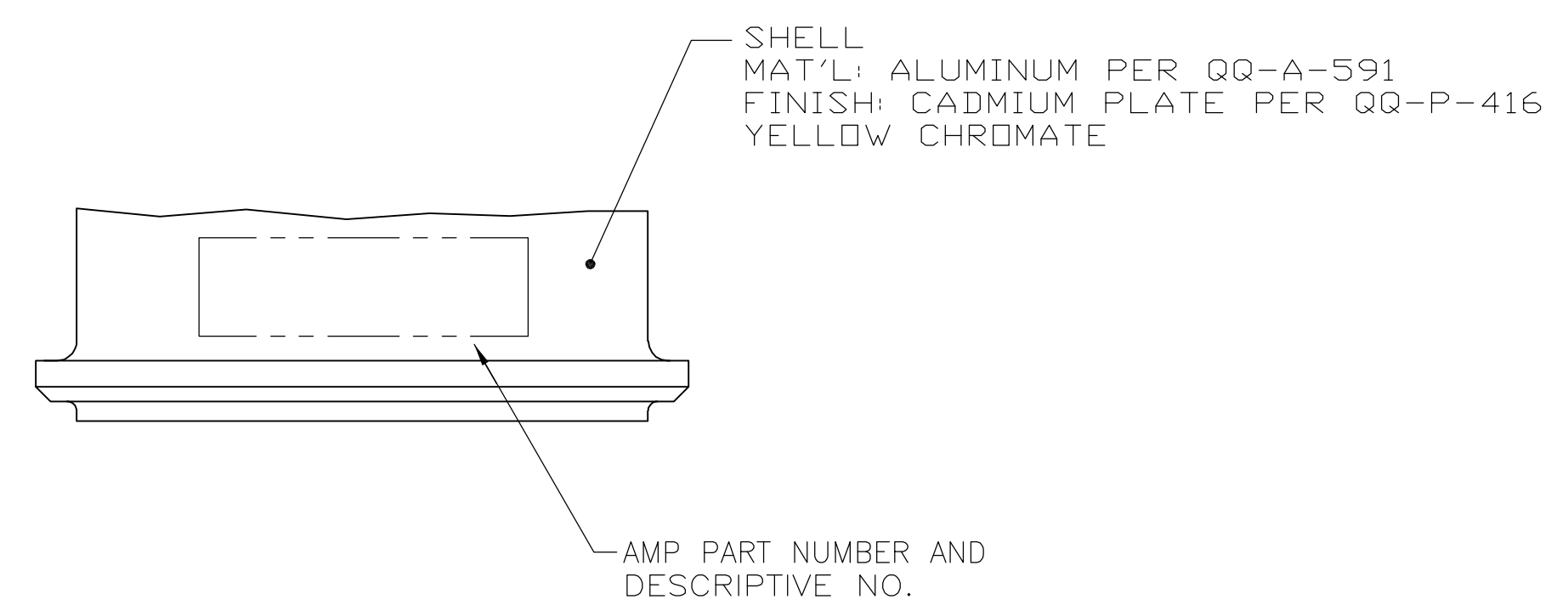
Contact us

Tel: +86-755-8981 8866 Fax: +86-755-8427 6832

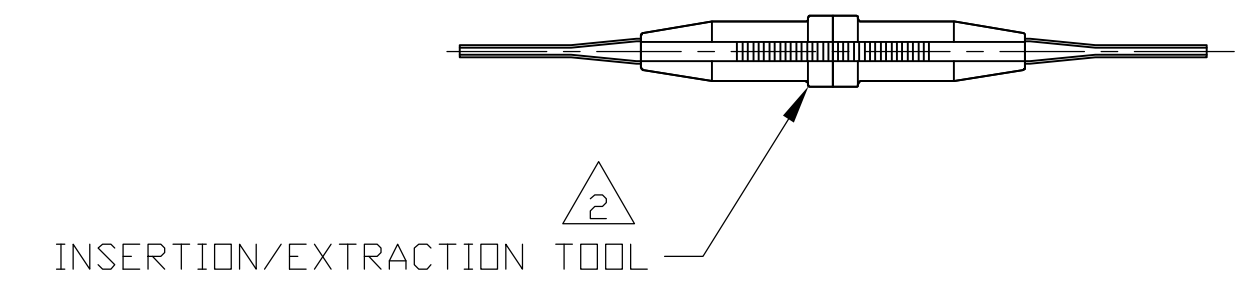
Email & Skype: info@chipsmall.com Web: www.chipsmall.com

Address: A1208, Overseas Decoration Building, #122 Zhenhua RD., Futian, Shenzhen, China





- KEYING HARDWARE IS PACKAGED SEPARATELY AND SHIPPED WITH CONNECTOR.
- INSERT/EXTRACTION TOOL IS SHIPPED WITH CONNECTOR IN A SEPARATE CONTAINER.
- WHEN MEASURED FROM REAR OF INSERT.
- WHEN MEASURED TO REAR OF INSERT.



1883437-1
 PART NUMBER

THIS DRAWING IS A CONTROLLED DOCUMENT.		DWG C.C.THOMAS	8-2-06	Tyco Electronics Corporation Harrisburg, PA 17105-3608	
DIMENSIONS: INCHES [mm]		CHK D.FABY	8-2-06	NAME RCPT ASSY,ARINC 404,RM1R106S-00 (PCB)	
TOLERANCES UNLESS OTHERWISE SPECIFIED:		APP'D D.FABY	8-2-06	PRODUCT SPEC	
0 PLC ± -		APPLICATION SPEC		SIZE A1	
1 PLC ± -		RESTRICTED TO		CAGE CODE 00779	
2 PLC ± -		WEIGHT		DRAWING NO. 1883437	
3 PLC ± .005 [0.13]		CUSTOMER DRAWING		SCALE 2:1	
4 PLC ANGLES ± -		SHEET 1 OF 1		REV A	
FINISH SEE CALLOUTS					