



Chipsmall Limited consists of a professional team with an average of over 10 year of expertise in the distribution of electronic components. Based in Hongkong, we have already established firm and mutual-benefit business relationships with customers from,Europe,America and south Asia,supplying obsolete and hard-to-find components to meet their specific needs.

With the principle of “Quality Parts,Customers Priority,Honest Operation,and Considerate Service”,our business mainly focus on the distribution of electronic components. Line cards we deal with include Microchip,ALPS,ROHM,Xilinx,Pulse,ON,Everlight and Freescale. Main products comprise IC,Modules,Potentiometer,IC Socket,Relay,Connector.Our parts cover such applications as commercial,industrial, and automotives areas.

We are looking forward to setting up business relationship with you and hope to provide you with the best service and solution. Let us make a better world for our industry!



## Contact us

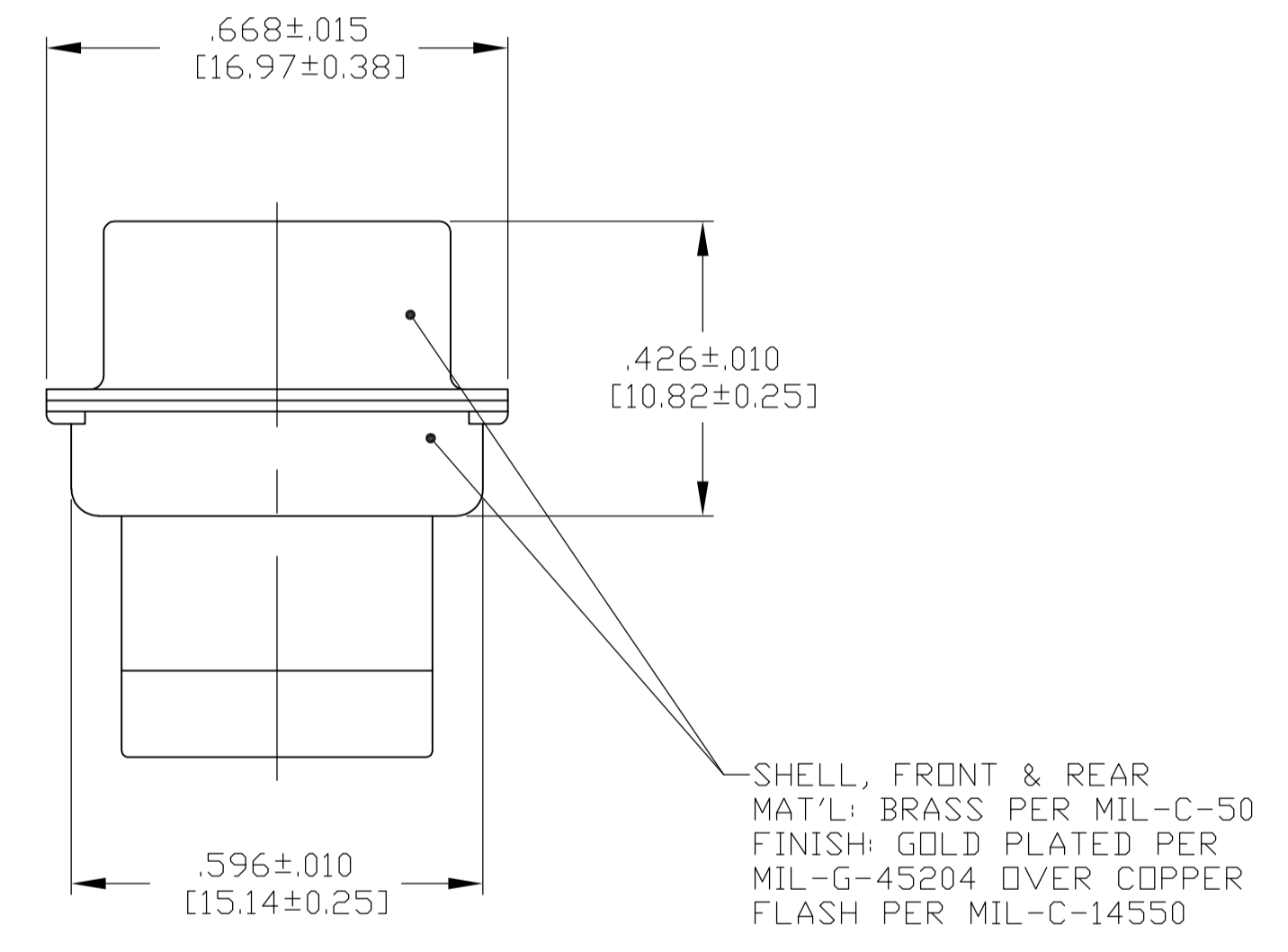
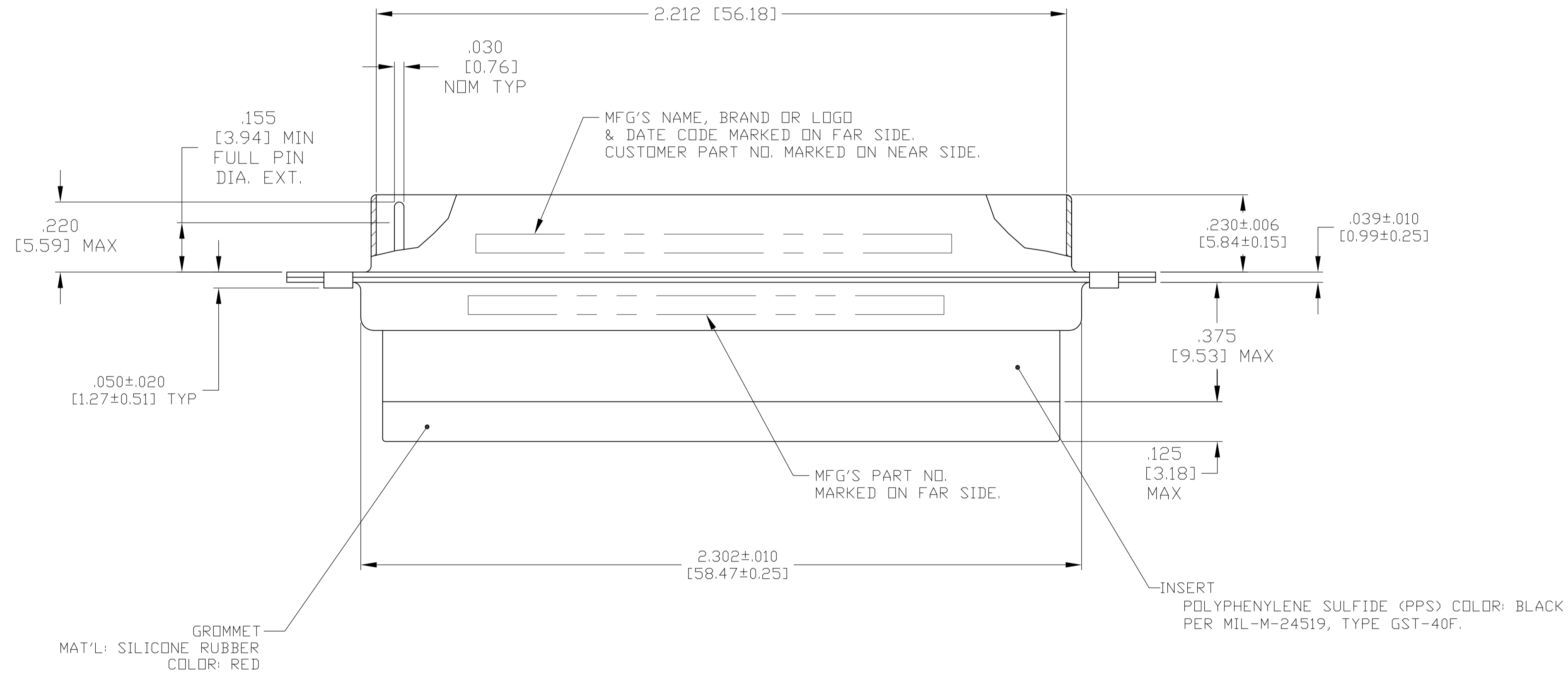
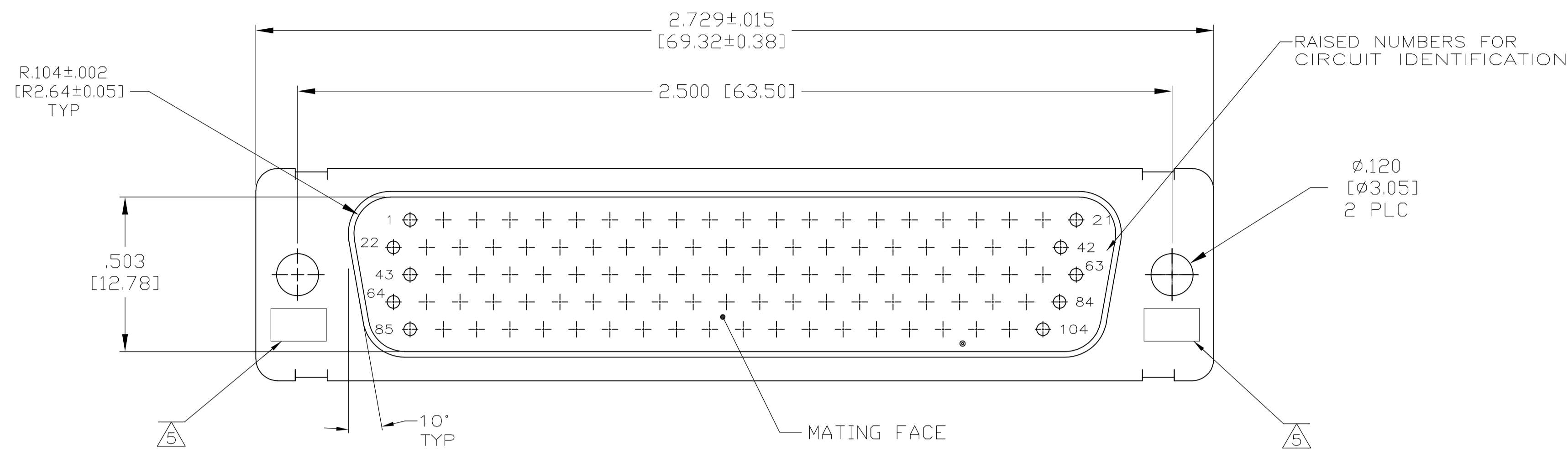
Tel: +86-755-8981 8866 Fax: +86-755-8427 6832

Email & Skype: info@chipsmall.com Web: www.chipsmall.com

Address: A1208, Overseas Decoration Building, #122 Zhenhua RD., Futian, Shenzhen, China



LOC		DIST		REVISIONS			
P	LTR	DESCRIPTION	DATE	DN	APVD		
D		REV PER ECO-12-004103	15MAR12	PY	RL		



- THIS PLUG WILL MATE WITH ANY SIZE 6, 104 POSN. RCPT. IN AMPLIMITE SERIES.
  - MAXIMUM WIRE INSULATION USED WITH THIS PLUG IS  $.054$  [1.37] DIA.
  - SINGLE LOT DATE CODE IS REQUIRED.
  - CONNECTOR SUPPLIED WITHOUT CONTACTS; SHOWN FOR ILLUSTRATION ONLY. (PER MIL-C-39029B/58-360)
- ▲ UL/CSA DESIGNATION STAMPED IN THIS AREA, OPTIONAL.

THIS DRAWING IS A CONTROLLED DOCUMENT.		DIN C.C.THOMAS 6-1-06		REMARKS		CI-2A-112-001V-001		1883448-1	
DIMENSIONS: INCHES		TOLERANCES UNLESS OTHERWISE SPECIFIED:		APVD D.MILLER 6-1-06		CUSTOMER PART NUMBER		PART NO.	
		0 PLC ± - 1 PLC ± - 2 PLC ± - 3 PLC ± .005 [0.13] 4 PLC ± - ± 1° ANGLES ± - ± 1°		NAME		TE Connectivity		PLUG ASSY,AMPLIMITE,SIZE 6, SERIES 90, 104 POSITION, NON-MAGNETIC, SPECIAL WITH GROMMET	
MATERIAL SEE CALLOUTS		FINISH SEE CALLOUTS		APPLICATION SPEC		SIZE		RESTRICTED TO	
				WEIGHT		A1 00779		1883448	
				CUSTOMER DRAWING		SCALE 4:1		SHEET 1 OF 1 REV D	