



Chipsmall Limited consists of a professional team with an average of over 10 year of expertise in the distribution of electronic components. Based in Hongkong, we have already established firm and mutual-benefit business relationships with customers from,Europe,America and south Asia,supplying obsolete and hard-to-find components to meet their specific needs.

With the principle of “Quality Parts,Customers Priority,Honest Operation,and Considerate Service”,our business mainly focus on the distribution of electronic components. Line cards we deal with include Microchip,ALPS,ROHM,Xilinx,Pulse,ON,Everlight and Freescale. Main products comprise IC,Modules,Potentiometer,IC Socket,Relay,Connector.Our parts cover such applications as commercial,industrial, and automotives areas.

We are looking forward to setting up business relationship with you and hope to provide you with the best service and solution. Let us make a better world for our industry!



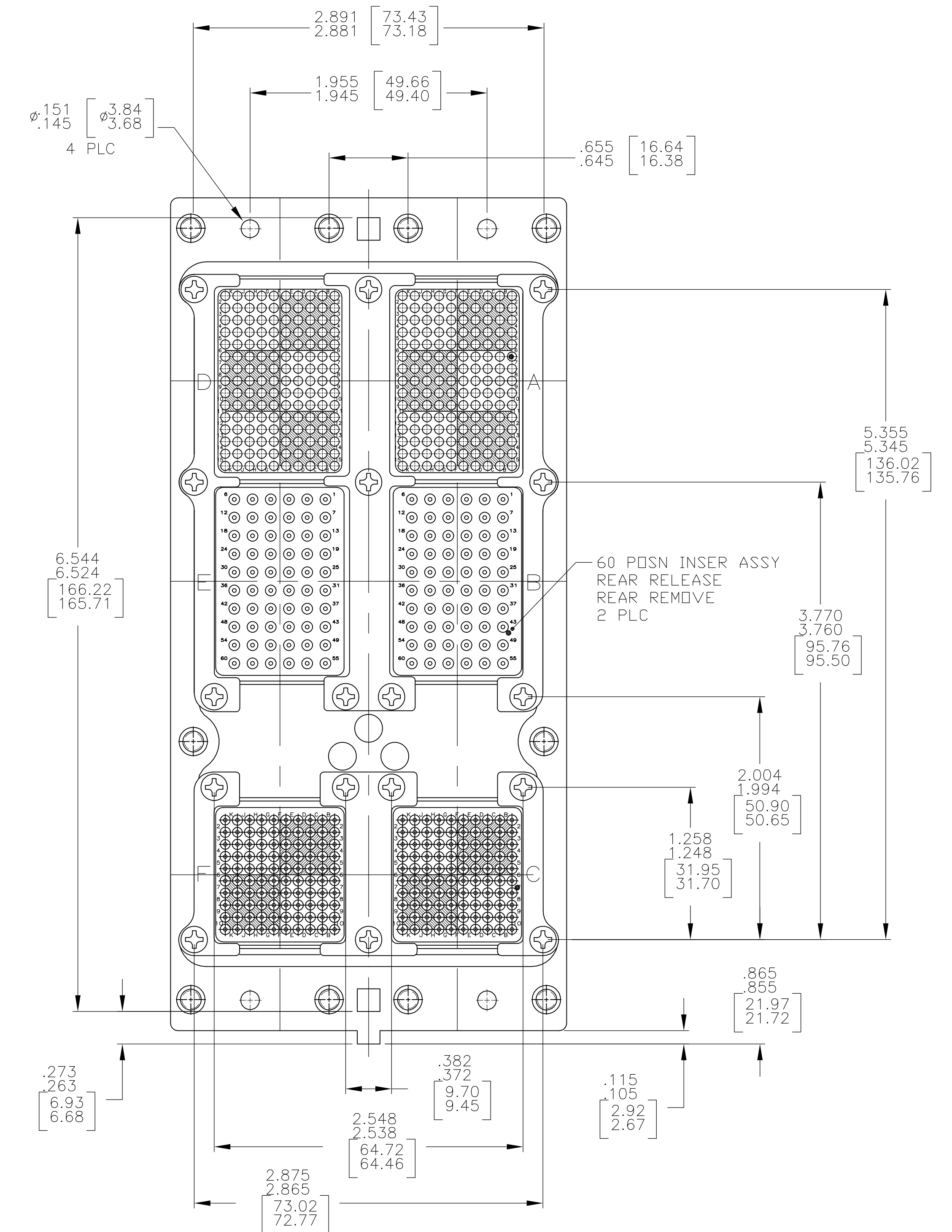
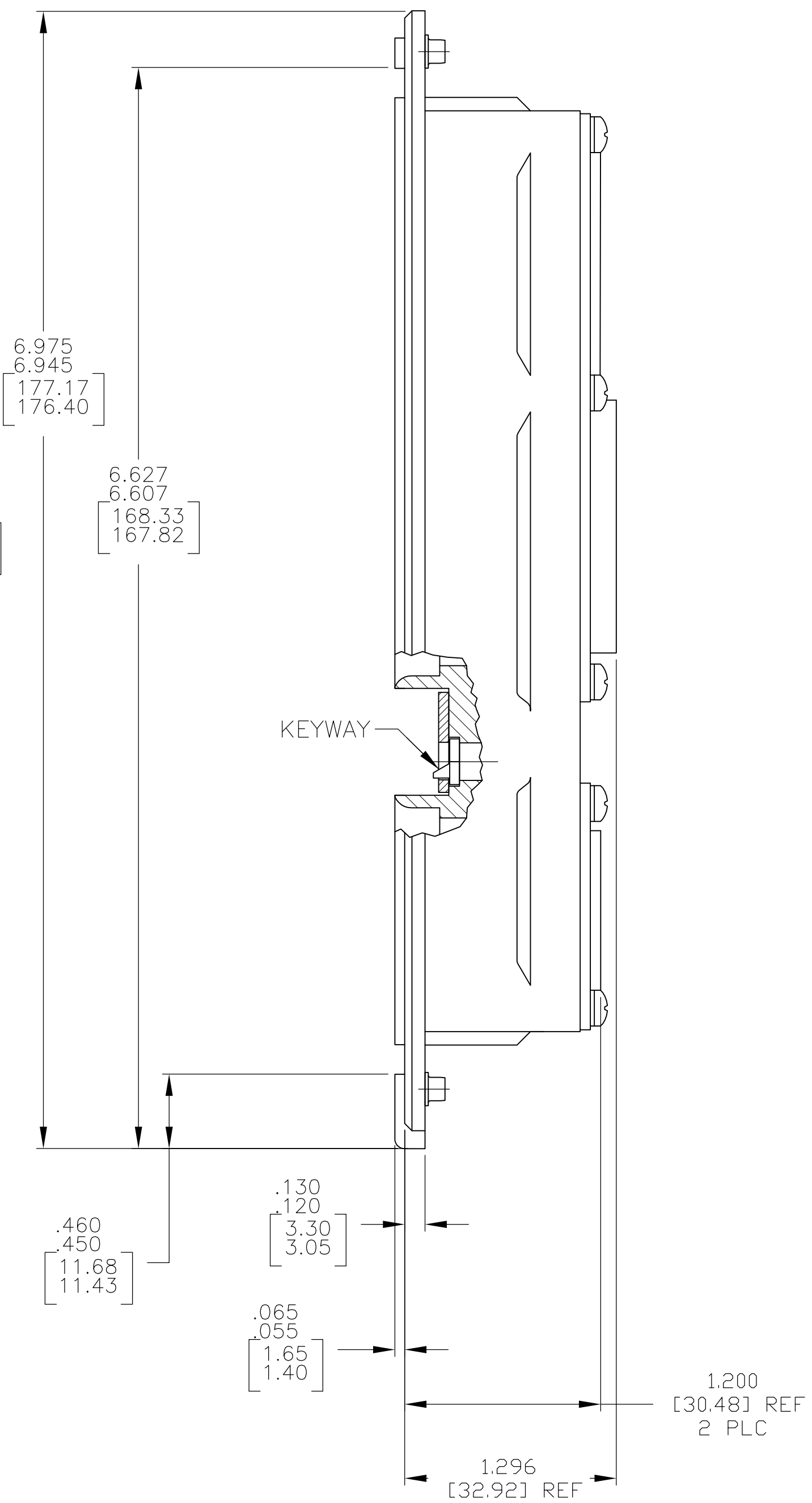
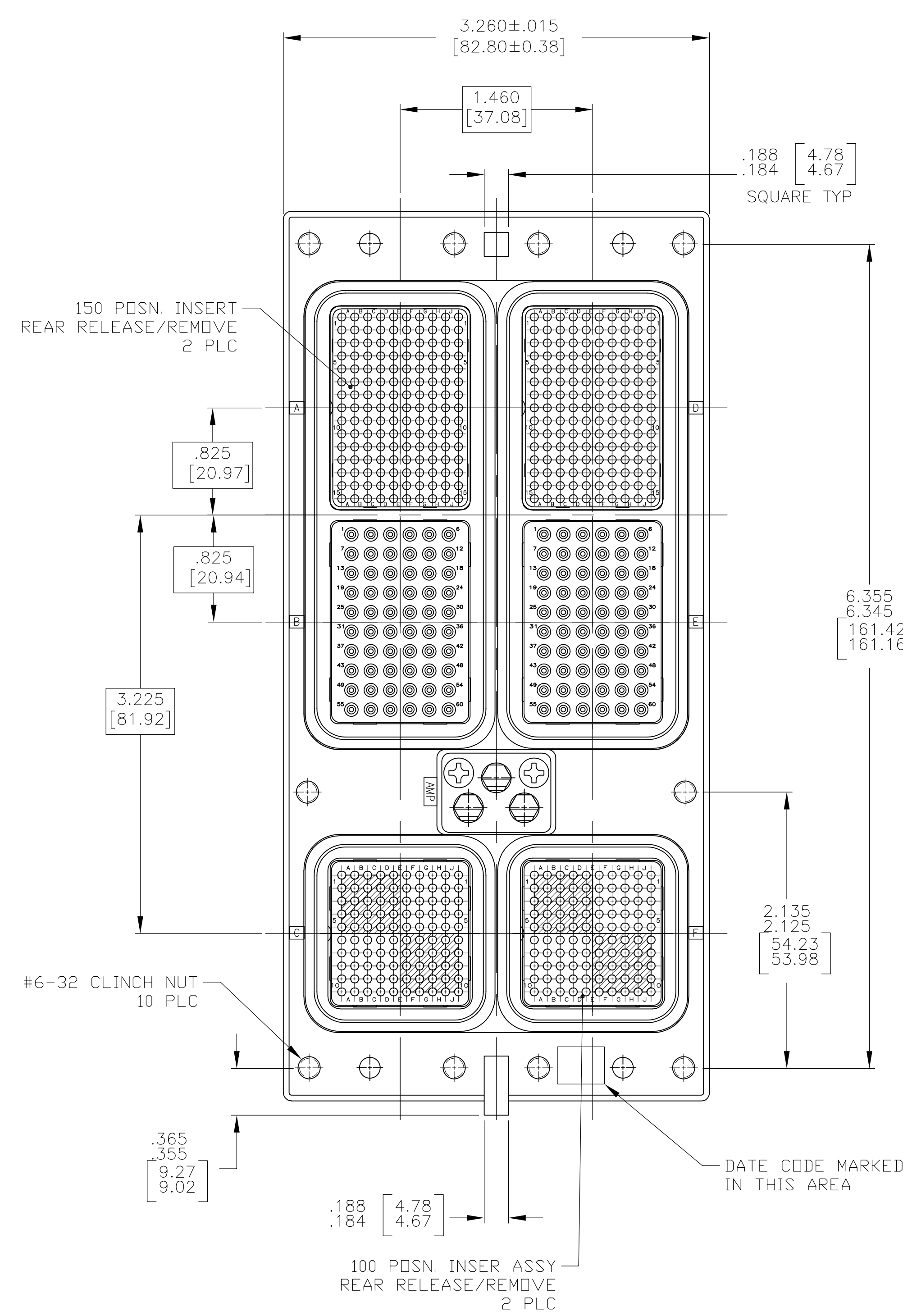
Contact us

Tel: +86-755-8981 8866 Fax: +86-755-8427 6832

Email & Skype: info@chipsmall.com Web: www.chipsmall.com

Address: A1208, Overseas Decoration Building, #122 Zhenhua RD., Futian, Shenzhen, China





- CONNECTOR DIMENSIONS ARE PER ARINC 600 SPECIFICATION.
- KEYING SHOWN IN POSITION "01" FOR ILLUSTRATION ONLY. CONNECTORS SHIPPED WITH KEYING INSTALLED IN POSITION PER TABLE. FOR POSITION "00" KEYING HARDWARE SHIPPED UNASSEMBLED.
- DUST COVERS ARE INSTALLED FOR SHIPPING. (NOT SHOWN)
- FOLLOWING CONTACTS ARE INCLUDED AND NOT LOADED:
 1883657-1: NONE
 1883657-2: SIZE 22 SOCKET CONTACT: TE P/N 208264-2; QTY: 500
 SIZE 20 PIN CONTACT: TE P/N 208265-3; QTY: 100

COMPONENT	MATERIAL	FINISH
SHELL	DIE CAST ALUMINUM PER ASTM-B-85	CHROMATE CONVERSION PER MIL-C-5541 CLASS 1A
INSERT RETENTION PLATES	ALUMINUM ALLOY PER ASTM-B-209	CHROMATE CONVERSION PER MIL-C-5541 CLASS 1A
SCREWS AND LOCKWASHERS	STEEL OR STAINLESS STEEL	CHROMATE OVER ZINC OR PASSIVATED
POLARIZING KEYS	ZINC ALLOY PER ASTM-B-86	ELECTROLESS NICKEL PER MIL-C-26074 CLASS 4, GRADE B
ALL INSERTS	THERMOSET	-
POLARIZING KEYS RETAINING PLATE	ALUMINUM ALLOY PER ASTM-B-209	BLUE ANODIZED PER MIL-A-8625

"01"	NIC66J320A00CA0	1883657-2
"01"	NIC66J320A00CA1	1883657-1
KEYING POSITION	DESCRIPTIVE NUMBER REF	PART NUMBER

THIS DRAWING IS A CONTROLLED DOCUMENT.		DWN C.C.THOMAS 9-6-06	Tyco Electronics Corporation Harrisburg, PA 17105-3608
DIMENSIONS: INCHES		CHK K.HOGAN 9-7-06	
TOLERANCES UNLESS OTHERWISE SPECIFIED:		APVD K.HOGAN 9-7-06	NAME RCPT ASSY, SIZE 3, ARINC 600, (150/60/100/150/60/100)
0 PLC ± -	1 PLC ± -	PRODUCT SPEC	
2 PLC ± -	3 PLC ± -	APPLICATION SPEC	SIZE CASE CODE DRAWING NO
4 PLC ± .010 (0.25)	ANGLES ± -	RESTRICTED TO	A1 00779 C=1883657
MATERIAL SEE TABLE	FINISH SEE TABLE	WEIGHT	CUSTOMER DRAWING SCALE 1:1 SHEET 1 OF 1 REV B