



Chipsmall Limited consists of a professional team with an average of over 10 year of expertise in the distribution of electronic components. Based in Hongkong, we have already established firm and mutual-benefit business relationships with customers from,Europe,America and south Asia,supplying obsolete and hard-to-find components to meet their specific needs.

With the principle of “Quality Parts,Customers Priority,Honest Operation,and Considerate Service”,our business mainly focus on the distribution of electronic components. Line cards we deal with include Microchip,ALPS,ROHM,Xilinx,Pulse,ON,Everlight and Freescale. Main products comprise IC,Modules,Potentiometer,IC Socket,Relay,Connector.Our parts cover such applications as commercial,industrial, and automotives areas.

We are looking forward to setting up business relationship with you and hope to provide you with the best service and solution. Let us make a better world for our industry!



Contact us

Tel: +86-755-8981 8866 Fax: +86-755-8427 6832

Email & Skype: info@chipsmall.com Web: www.chipsmall.com

Address: A1208, Overseas Decoration Building, #122 Zhenhua RD., Futian, Shenzhen, China



4

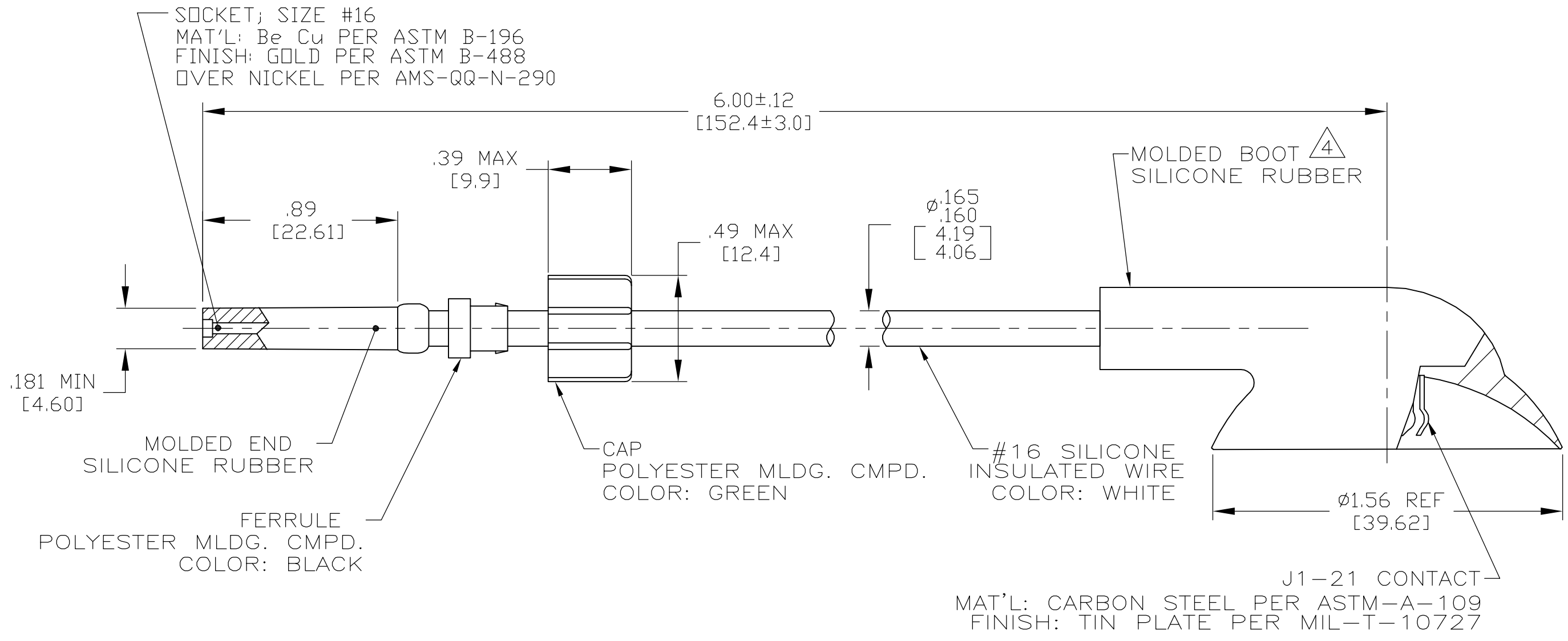
3

2

1

THIS DRAWING IS UNPUBLISHED. RELEASED FOR PUBLICATION
 © COPYRIGHT BY TYCO ELECTRONICS CORPORATION. ALL RIGHTS RESERVED.

LOC	DIST	REVISIONS					
DF	SO	P	LTR	DESCRIPTION	DATE	DWN	APVD
			A	RELEASED	1-24-07	CT	DE



1. MARKED PER MIL-STD-130.
 2. TO MATE WITH AMP LGH-1/2L RECEPTACLE WITH .89 [22.6] BARREL DEPTH.
 3. OPERATING VOLTAGE: 15 KVDC AT 0 TO 70,000 FEET, -55°C TO +125°C.
- 4 TO MATE WITH ANY JEDEC-J1-21 CAP.

1883872-1
 PART NO.

THIS DRAWING IS A CONTROLLED DOCUMENT.		DWN	C.C.THOMAS	1-24-07	AMP Tyco Electronics Corporation Harrisburg, PA 17105-3608
DIMENSIONS: INCHES [mm]		CHK	D.EABY	1-25-07	
TOLERANCES UNLESS OTHERWISE SPECIFIED:		APVD	D.EABY	1-25-07	NAME
0 PLC ± -		PRODUCT SPEC	-	-	LEAD ASS'Y, POS STOP, SGL. END, LGH-1/2L WITH J1-21 BOOT
1 PLC ± -		APPLICATION SPEC	-	-	SIZE
2 PLC ± .02 [0.5]		WEIGHT	-	-	CAGE CODE
3 PLC ± .005 [0.13]		CUSTOMER DRAWING	A3 00779		DRAWING NO
4 PLC ± -		SCALE	2:1		RESTRICTED TO
ANGLES ± -		SHEET	1 OF 1		REV
MATERIAL	SEE CALLOUTS	FINISH	SEE CALLOUTS		A