



Chipsmall Limited consists of a professional team with an average of over 10 year of expertise in the distribution of electronic components. Based in Hongkong, we have already established firm and mutual-benefit business relationships with customers from,Europe,America and south Asia,supplying obsolete and hard-to-find components to meet their specific needs.

With the principle of “Quality Parts,Customers Priority,Honest Operation,and Considerate Service”,our business mainly focus on the distribution of electronic components. Line cards we deal with include Microchip,ALPS,ROHM,Xilinx,Pulse,ON,Everlight and Freescale. Main products comprise IC,Modules,Potentiometer,IC Socket,Relay,Connector.Our parts cover such applications as commercial,industrial, and automotives areas.

We are looking forward to setting up business relationship with you and hope to provide you with the best service and solution. Let us make a better world for our industry!



Contact us

Tel: +86-755-8981 8866 Fax: +86-755-8427 6832

Email & Skype: info@chipsmall.com Web: www.chipsmall.com

Address: A1208, Overseas Decoration Building, #122 Zhenhua RD., Futian, Shenzhen, China




| LOC | | DIST | | REVISIONS | | | |
|-----|-----|-----------------------|---------|-----------|------|--|--|
| P | LTR | DESCRIPTION | DATE | DN | APVD | | |
| C | | REV PER ECO 11-019374 | 9-26-11 | CT | WB | | |

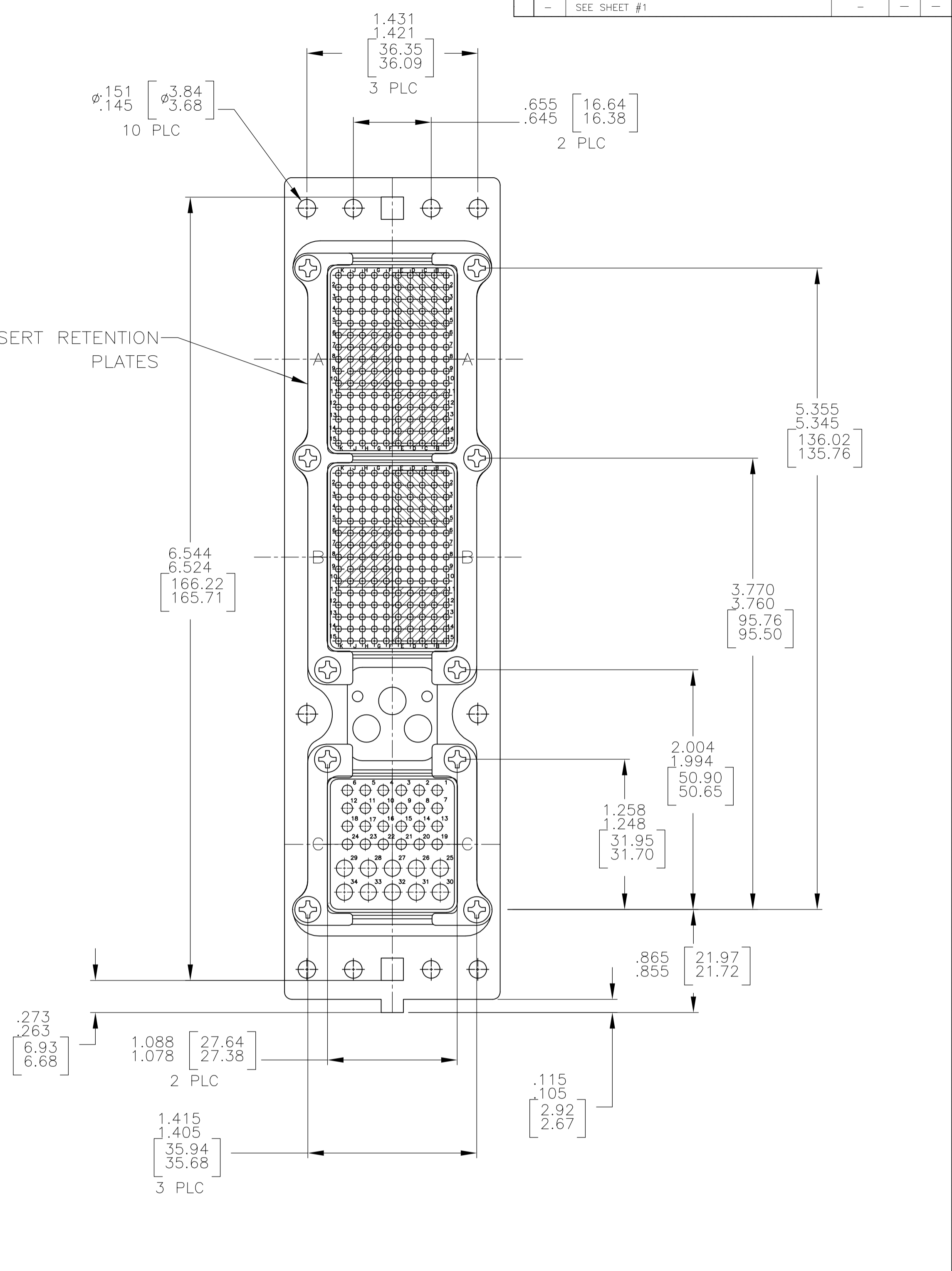
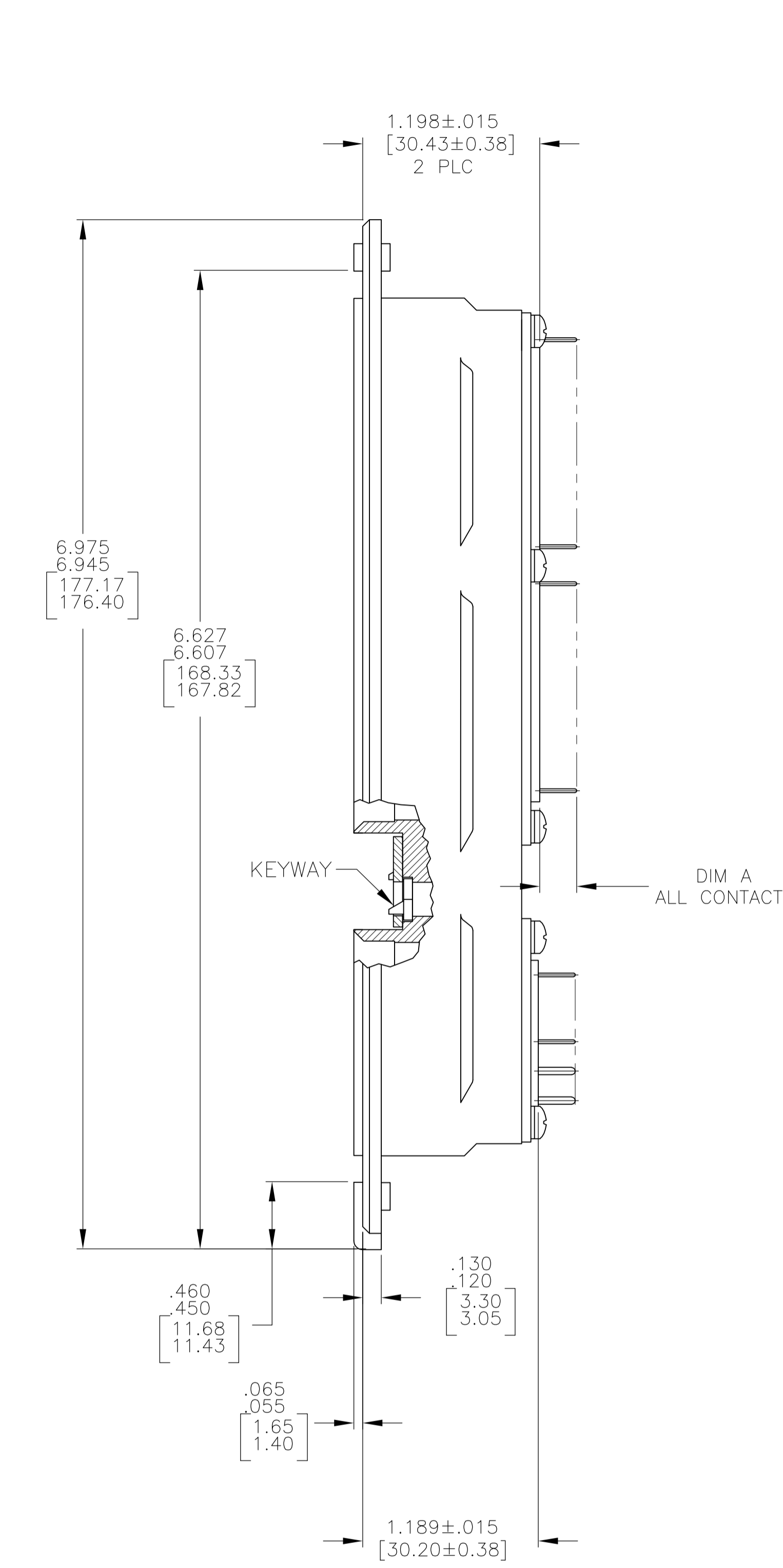
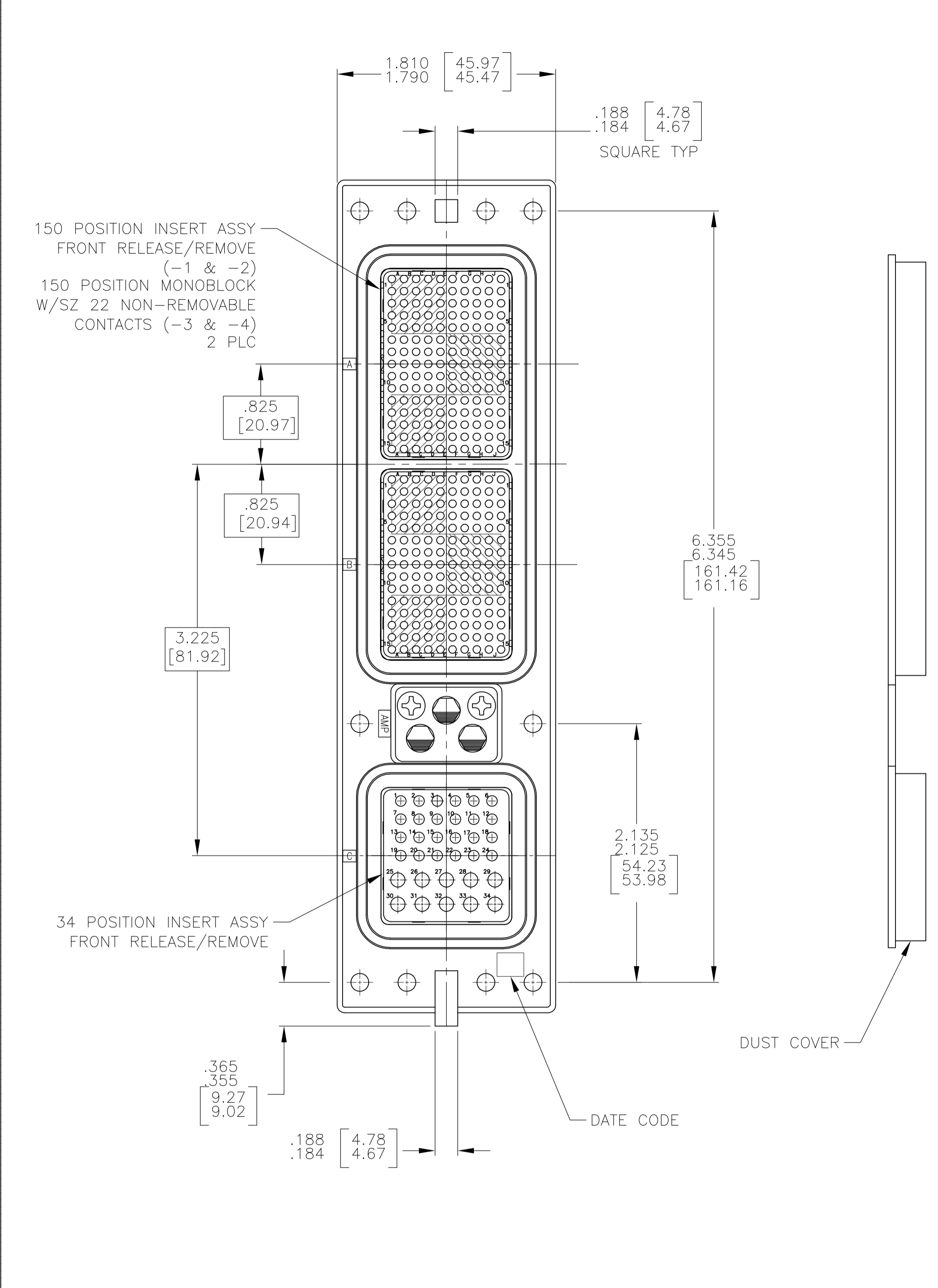
1. CONNECTOR DIMENSIONS ARE PER ARINC 600 SPECIFICATION
2. DUST COVER INSTALLED FOR SHIPPING.
3. KEYING SHOWN IN POSITION "01" FOR REFERENCE ONLY. SEE TABLE FOR KEYING POSITION. FOR POSITION "00" KEYING SHIPPED UNASSEMBLED.
4. CONTACTS NOT SHOWN IN FRONT AND REAR VIEWS FOR CLARITY.

| COMPONENT | MATERIAL | FINISH |
|--------------------------------|--|----------------------------------|
| SHELL | DIE CAST ALUMINUM PER ASTM-B-85 | SEE TABLE |
| INSERT RETENTION PLATES | ALUMINUM ALLOY PER ASTM-B-209 | SEE TABLE |
| SCREWS AND LOCKWASHERS | STEEL OR STAINLESS STEEL | CHROMATE OVER ZINC OR PASSIVATED |
| POLARIZING KEYS | ZINC ALLOY PER ASTM-B-86 | - |
| POLARIZING KEY RETAINING PLATE | ALUMINUM ALLOY PER ASTM-B-209 | BLUE ANODIZED PER MIL-A-8625 |
| INSERTS | THERMOSET OR THERMOPLASTIC PPS PER MIL-M-24519 | - |
| DUST COVER | CONDUCTIVE THERMOPLASTIC | - |

| DESCRIPTION | DIM A REF CONTACT LENGTH | SHELL FINISH REF | KEYING POSITION | CONTACTS INCLUDED AND INSTALLED | PART NUMBER |
|---|--------------------------|--|-----------------|--|-------------|
| PRELIMINARY NOT RELEASED FOR PRODUCTION | .270 [6.86] | ELECTROLESS NICKEL PER MIL-C-26074, CLASS 3 OR 4 GRADE B | "02" | MODULE A 150 POSITION MONOBLOCK WITH NON-REMOVABLE CONTACTS MODULE B 150 POSITION MONOBLOCK WITH NON-REMOVABLE CONTACTS MODULE C 1-448138-5 (SZ 20 POSTED PIN CONTACT; QTY=24) 1-448139-1 (SZ 16 POSTED PIN CONTACT; QTY=10) | 1883927-4 |
| PRELIMINARY NOT RELEASED FOR PRODUCTION | .270 [6.86] | ELECTROLESS NICKEL PER MIL-C-26074, CLASS 3 OR 4 GRADE B | "01" | MODULE A 150 POSITION MONOBLOCK WITH NON-REMOVABLE CONTACTS MODULE B 150 POSITION MONOBLOCK WITH NON-REMOVABLE CONTACTS MODULE C 1-448138-5 (SZ 20 POSTED PIN CONTACT; QTY=24) 1-448139-1 (SZ 16 POSTED PIN CONTACT; QTY=10) | 1883927-3 |
| | .375 [9.53] | ELECTROLESS NICKEL PER MIL-C-26074, CLASS 3 OR 4 GRADE B | "00" | MODULE A 211431-6 (SZ 22 POSTED SOCKET CONTACT; QTY=150) MODULE B 211431-6 (SZ 22 POSTED SOCKET CONTACT; QTY=150) MODULE C 2-448138-3 (SZ 20 POSTED PIN CONTACT; QTY=24) 1-448139-8 (SZ 16 POSTED PIN CONTACT; QTY=10) | 1883927-2 |
| PRELIMINARY NOT RELEASED FOR PRODUCTION | .250 [6.35] | CHEMICAL COVERSION COATING PER MIL-C-5541, CLASS 1A | "01" | MODULE A 211431-4 (SZ 22 POSTED SOCKET CONTACT; QTY=150) MODULE B 211431-4 (SZ 22 POSTED SOCKET CONTACT; QTY=150) MODULE C 1-448138-2 (SZ 20 POSTED PIN CONTACT; QTY=24) 1-448139-4 (SZ 16 POSTED PIN CONTACT; QTY=10) | 1883927-1 |
| | DIM A REF CONTACT LENGTH | SHELL FINISH REF | KEYING POSITION | CONTACTS INCLUDED AND INSTALLED | PART NUMBER |

| | | | | |
|---|--|-----------------------|---|---|
| THIS DRAWING IS A CONTROLLED DOCUMENT. | | DIN C.C.THOMAS 2-7-07 |  TE Connectivity | |
| DIMENSIONS: INCHES [mm] | | CHK K.HOGAN 3-27-07 | | |
| TOLERANCES UNLESS OTHERWISE SPECIFIED: | | APVD K.HOGAN 3-27-07 | NAME RCPT ASSY, SIZE 2, ARINC 600 (150/150/34) | |
| 0 PLC ± - 1 PLC ± - 2 PLC ± - 3 PLC ± - 4 PLC ± - ANGLES ± - | | PRODUCT SPEC | RESTRICTED TO | |
| MATERIAL SEE TABLE | | FINISH SEE TABLE | APPLICATION SPEC | SIZE CAGE CODE DRAWING NO. A1 00779 C=1883927 |
| | | WEIGHT | CUSTOMER DRAWING SCALE 3:2 SHEET 1 OF 2 REV C | |

| LOC | | DIST | | REVISIONS | | | |
|-----|-----|--------------|------|-----------|------|---|---|
| P | LTR | DESCRIPTION | DATE | DNW | APVD | | |
| - | - | SEE SHEET #1 | - | - | - | - | - |



| | | | | | |
|---|--|-----------------------|--|--|--|
| THIS DRAWING IS A CONTROLLED DOCUMENT. | | DIN C.C.THOMAS 2-7-07 | | TE Connectivity | |
| DIMENSIONS: INCHES [mm] | | CHK K.HOGAN 3-27-07 | | | |
| TOLERANCES UNLESS OTHERWISE SPECIFIED: | | APVD K.HOGAN 3-27-07 | | NAME RCPT ASSY, SIZE 2, ARINC 600 (150/150/34) | |
| 0 PLC ± - 1 PLC ± - 2 PLC ± - 3 PLC ± - 4 PLC ± - ANGLES ± - | | APPLICATION SPEC | | SIZE CAGE CODE DRAWING NO. RESTRICTED TO | |
| MATERIAL SEE TABLE | | FINISH SEE TABLE | | WEIGHT A1 00779 C=1883927 | |
| CUSTOMER DRAWING | | SCALE 3:2 | | SHEET 2 OF 2 REV C | |