



Chipsmall Limited consists of a professional team with an average of over 10 year of expertise in the distribution of electronic components. Based in Hongkong, we have already established firm and mutual-benefit business relationships with customers from,Europe,America and south Asia,supplying obsolete and hard-to-find components to meet their specific needs.

With the principle of “Quality Parts,Customers Priority,Honest Operation,and Considerate Service”,our business mainly focus on the distribution of electronic components. Line cards we deal with include Microchip,ALPS,ROHM,Xilinx,Pulse,ON,Everlight and Freescale. Main products comprise IC,Modules,Potentiometer,IC Socket,Relay,Connector.Our parts cover such applications as commercial,industrial, and automotives areas.

We are looking forward to setting up business relationship with you and hope to provide you with the best service and solution. Let us make a better world for our industry!



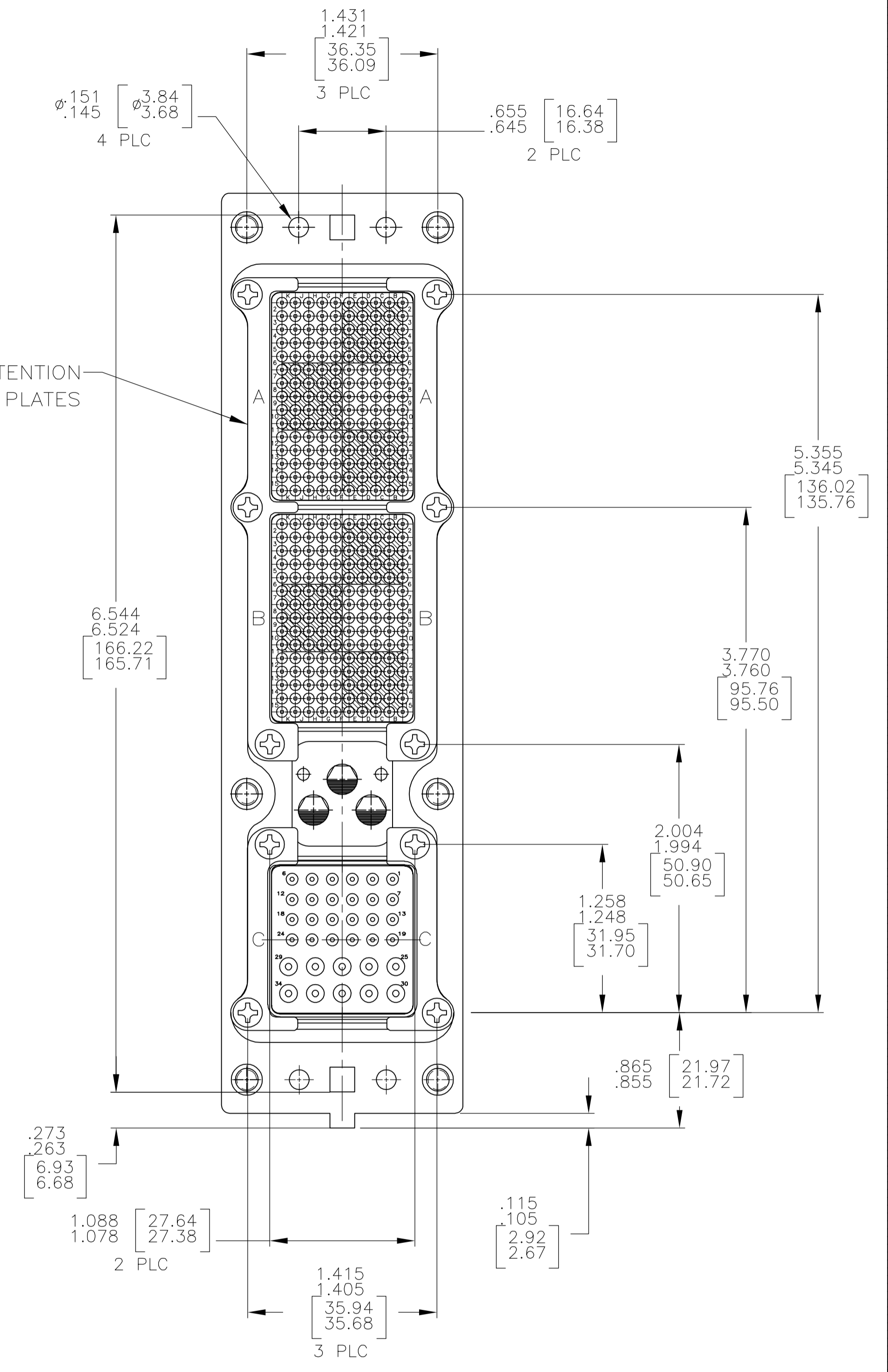
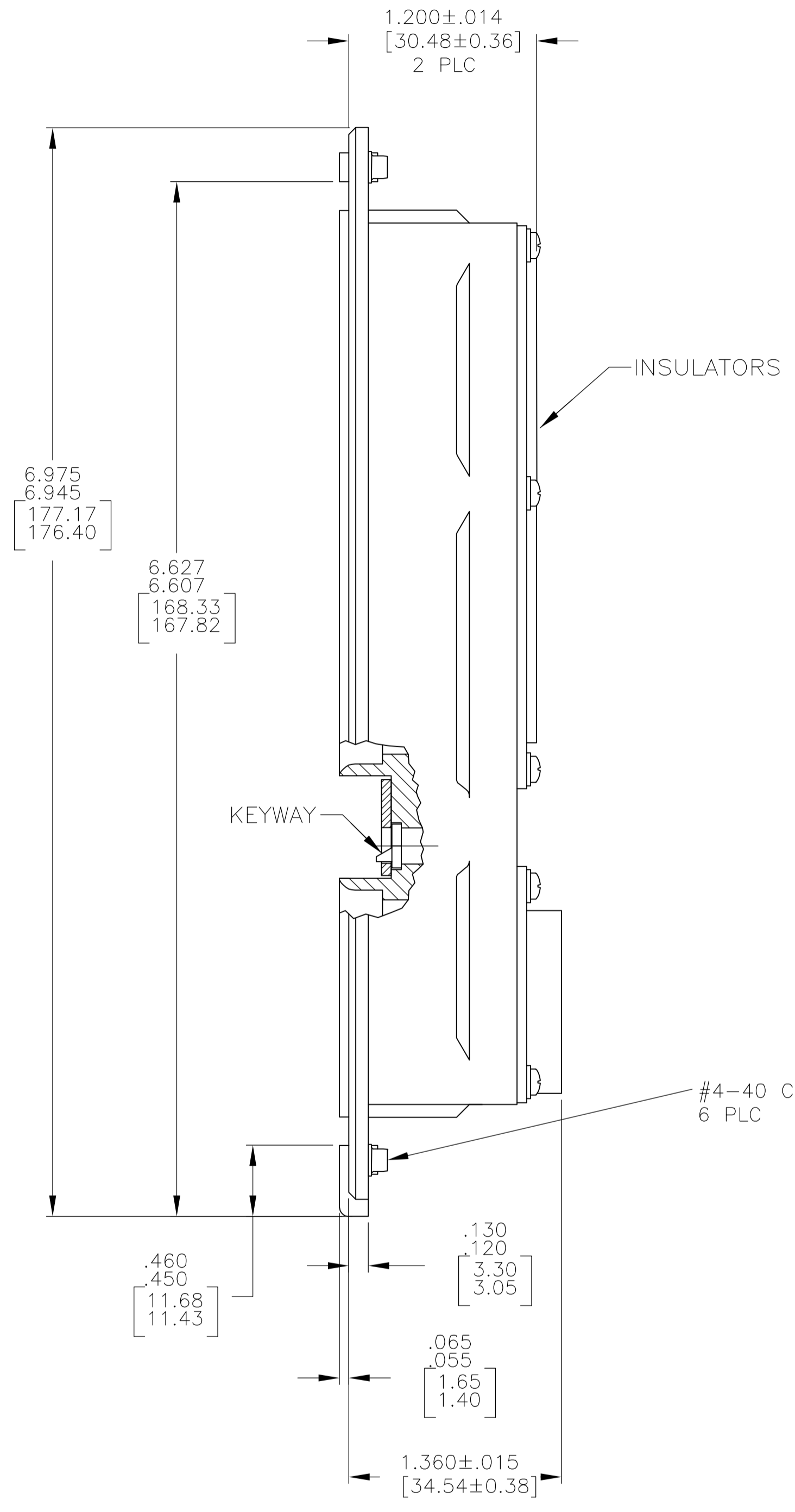
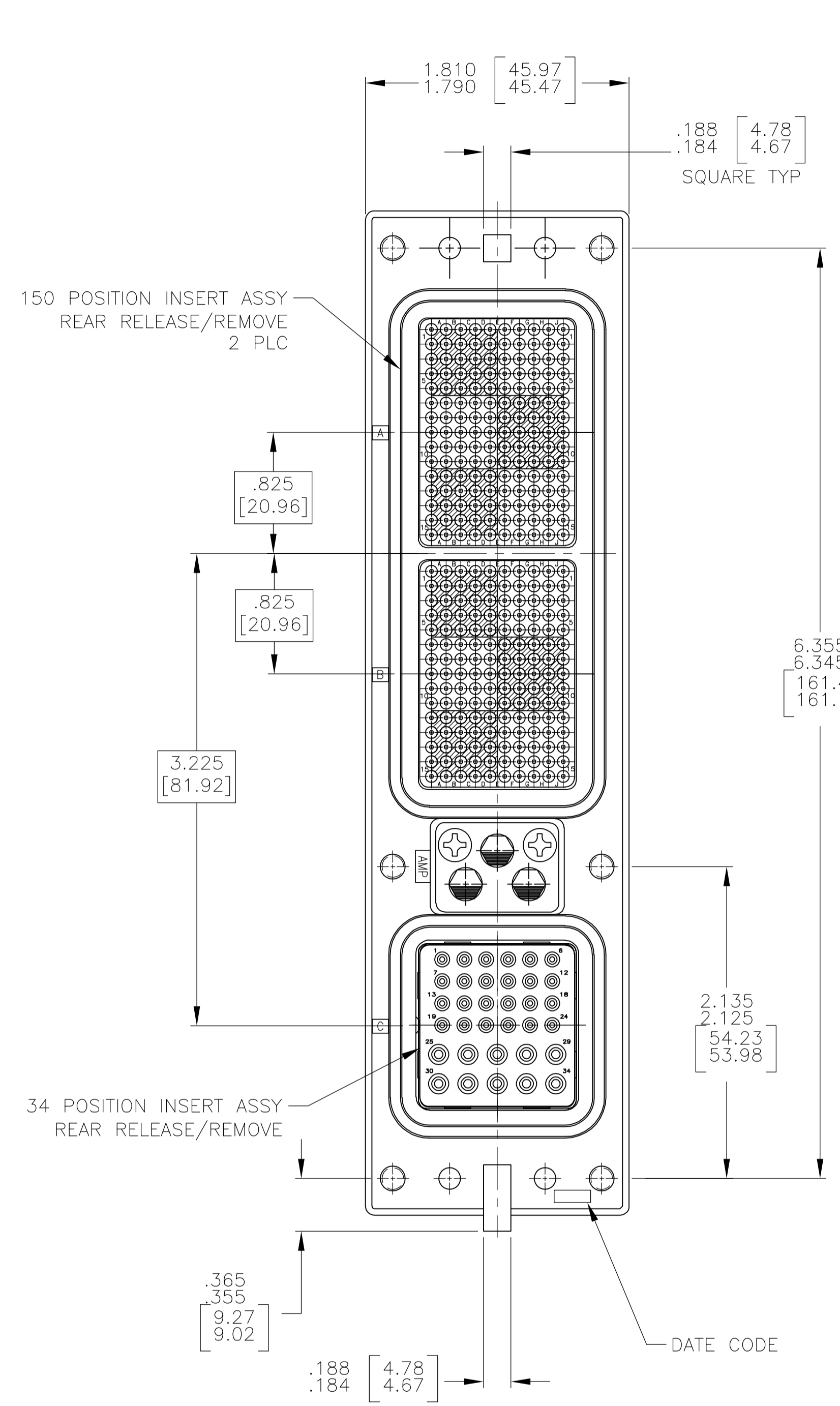
Contact us

Tel: +86-755-8981 8866 Fax: +86-755-8427 6832

Email & Skype: info@chipsmall.com Web: www.chipsmall.com

Address: A1208, Overseas Decoration Building, #122 Zhenhua RD., Futian, Shenzhen, China





- CONNECTOR DIMENSIONS ARE PER ARINC 600 SPECIFICATION
 - FOLLOWING CONTACTS ARE INCLUDED AND NOT LOADED:
 SIZE 22 CRIMP SOCKET CONTACT: AMP P/N 208264-2; QTY: 300
 SIZE 20 CRIMP PIN CONTACT: AMP P/N 208265-3; QTY: 24
 SIZE 16 CRIMP PIN CONTACT: AMP P/N 208268-3; QTY: 10
- KEYING SHOWN IN POSITION "01" FOR REFERENCE ONLY.
 SEE TABLE FOR KEYING POSITION.
 FOR POSITION "00" KEYING SHIPPED UNASSEMBLED.

COMPONENT	MATERIAL	FINISH
SHELL	DIE CAST ALUMINUM PER ASTM-B-85	CHEMICAL COVERSION COATING PER MIL-C-5541, CLASS 1A
INSERT RETENTION PLATES	ALUMINUM ALLOY PER ASTM-B-209	CHEMICAL COVERSION COATING PER MIL-C-5541, CLASS 1A
SCREWS AND LOCKWASHERS	STEEL OR STAINLESS STEEL	CHROMATE OVER ZINC OR PASSIVATED
POLARIZING KEYS	ZINC ALLOY PER ASTM-B-86	-
POLARIZING KEY RETAINING PLATE	ALUMINUM ALLOY PER ASTM-B-209	BLUE ANODIZED PER MIL-A-8625
INSERTS	THERMOSET OR THERMOPLASTIC PPS PER MIL-M-24519	-

NIC66G85A01SB0	"01"	1883936-1
DESCRIPTIVE NUMBER	KEYING POSITION	PART NUMBER

THIS DRAWING IS A CONTROLLED DOCUMENT.

DIMENSIONS: INCHES	TOLERANCES UNLESS OTHERWISE SPECIFIED:	DIN C.C.THOMAS 2-13-07	APVD K.HOGAN 2-13-07	NAME RCPT ASSY, SIZE 2, ARINC 600 (150/150/34)
0 PLC ± -	1 PLC ± -	2 PLC ± -	3 PLC ± -	4 PLC ± -
ANGLES ± -	FINISH SEE TABLE	WEIGHT -	SIZE A1	SCALE 1:1
MATERIAL SEE TABLE	FINISH SEE TABLE	WEIGHT -	SIZE A1	SCALE 1:1

CUSTOMER DRAWING

AMP Tyco Electronics Corporation
Harrisburg, Pa 17105-3608

RESTRICTED TO

1 OF 1 SHEET