



Chipsmall Limited consists of a professional team with an average of over 10 year of expertise in the distribution of electronic components. Based in Hongkong, we have already established firm and mutual-benefit business relationships with customers from,Europe,America and south Asia,supplying obsolete and hard-to-find components to meet their specific needs.

With the principle of “Quality Parts,Customers Priority,Honest Operation,and Considerate Service”,our business mainly focus on the distribution of electronic components. Line cards we deal with include Microchip,ALPS,ROHM,Xilinx,Pulse,ON,Everlight and Freescale. Main products comprise IC,Modules,Potentiometer,IC Socket,Relay,Connector.Our parts cover such applications as commercial,industrial, and automotives areas.

We are looking forward to setting up business relationship with you and hope to provide you with the best service and solution. Let us make a better world for our industry!



Contact us

Tel: +86-755-8981 8866 Fax: +86-755-8427 6832

Email & Skype: info@chipsmall.com Web: www.chipsmall.com

Address: A1208, Overseas Decoration Building, #122 Zhenhua RD., Futian, Shenzhen, China



VC-MEMV-A1

Order No.: 1884322

The illustration shows version VC-MEMV-A3



<http://eshop.phoenixcontact.de/phoenix/treeViewClick.do?UID=1884322>

Panel mounting base, made of metal, EMC-coated type 1, number of modules 2, cable screw connection Pg16

Commercial data	
EAN	4017918164355
Pack	5 pcs.
Customs tariff	79070090
Weight/Piece	0.354 KG
Catalog page information	Page 370 (PC-2009)

Product notes

WEEE/RoHS-compliant since:
11/08/2006



<http://www.download.phoenixcontact.com>
Please note that the data given here has been taken from the online catalog. For comprehensive information and data, please refer to the user documentation. The General Terms and Conditions of Use apply to Internet downloads.

Technical data**General characteristics**

Note	When using fiber optics, the bending radii of the cable manufacturers must be observed.
Design	VC1
Degree of protection	IP65/IP66/IP67
Type of the screw connection	1x Pg16
Pg screw connection	None
Height	49 mm
Number of module slots	2
Housing material	Zinc die-cast
Housing surface material	Nickel-plated
Seal material	EPDM, conductive
Ambient temperature (operation)	-40 °C ... 125 °C

Certificates / Approvals

Certification GOST

Accessories

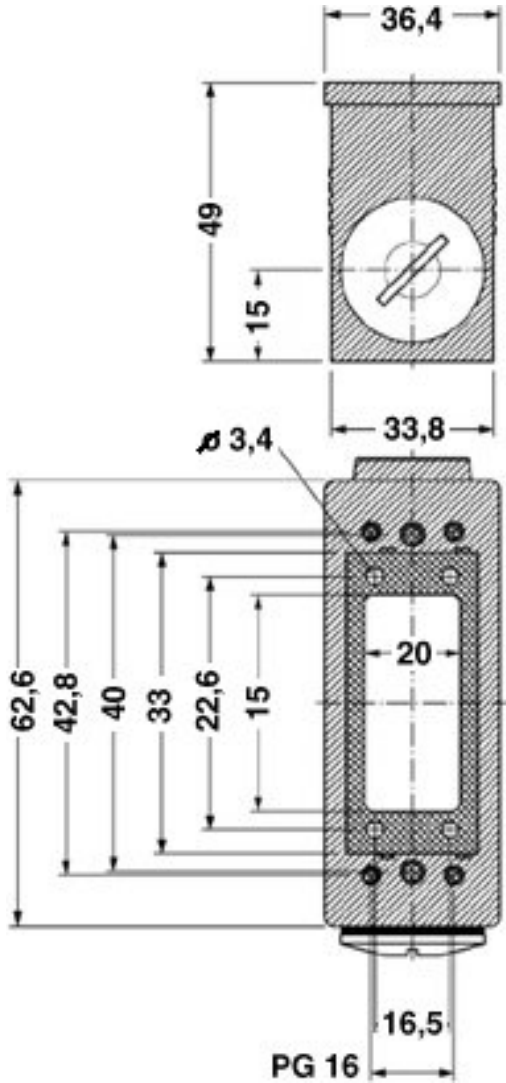
Item	Designation	Description
------	-------------	-------------

Marking

1852875	VC-BZS WH	Marker labels, unprinted, 5-section, for individual labeling with M-PEN or CMS system, white
---------	-----------	--

Diagrams/Drawings

Dimensioned drawing



Address

PHOENIX CONTACT Deutschland GmbH
Flachmarktstr. 8
32825 Blomberg, Germany
Phone +49 5235 3 12000
Fax +49 5235 3 41200
<http://www.phoenixcontact.de>



© 2010 Phoenix Contact
Technical modifications reserved;