



Chipsmall Limited consists of a professional team with an average of over 10 year of expertise in the distribution of electronic components. Based in Hongkong, we have already established firm and mutual-benefit business relationships with customers from,Europe,America and south Asia,supplying obsolete and hard-to-find components to meet their specific needs.

With the principle of “Quality Parts,Customers Priority,Honest Operation,and Considerate Service”,our business mainly focus on the distribution of electronic components. Line cards we deal with include Microchip,ALPS,ROHM,Xilinx,Pulse,ON,Everlight and Freescale. Main products comprise IC,Modules,Potentiometer,IC Socket,Relay,Connector.Our parts cover such applications as commercial,industrial, and automotives areas.

We are looking forward to setting up business relationship with you and hope to provide you with the best service and solution. Let us make a better world for our industry!



## Contact us

Tel: +86-755-8981 8866 Fax: +86-755-8427 6832

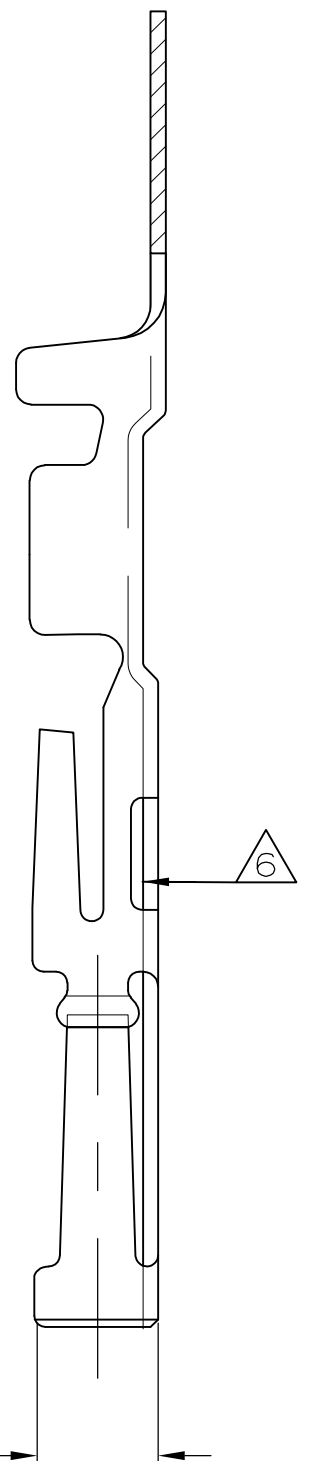
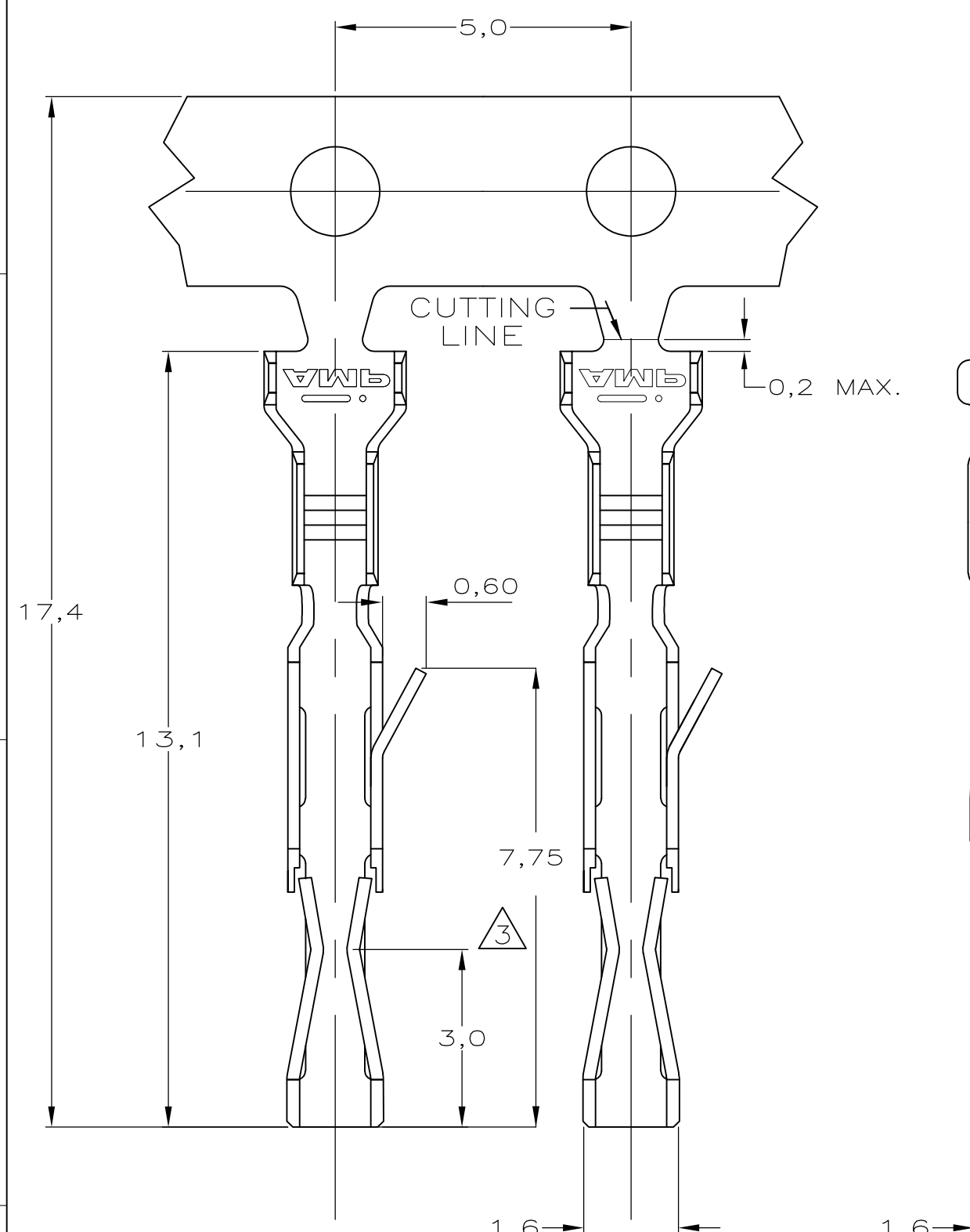
Email & Skype: info@chipsmall.com Web: www.chipsmall.com

Address: A1208, Overseas Decoration Building, #122 Zhenhua RD., Futian, Shenzhen, China



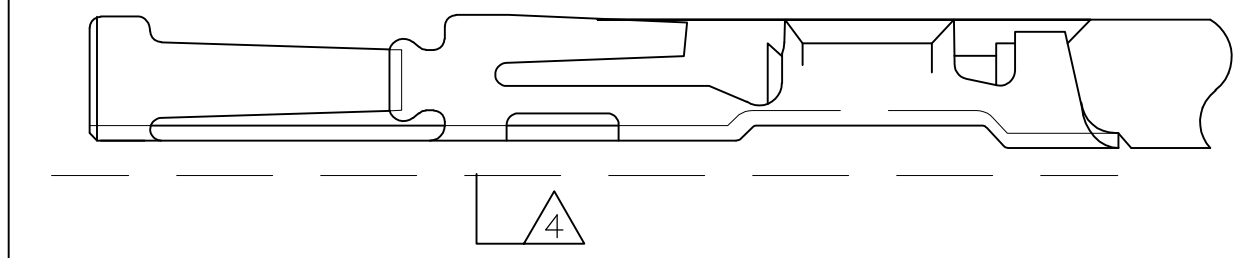
THIS DRAWING IS UNPUBLISHED.  
 DIFFUSION RESTREINTE AMP  
 © COPYRIGHT - By -  
 ALL RIGHTS RESERVED.  
 TOUS DROITS RESERVES

LOC	DIST	REVISIONS			
P	LTR REV	DESCRIPTION MODIFICATIONS	DATE	DWN DESS.	APVD APP.
F	7	G1	REVISED PER ECO-11-005150	21MAR11	RK HMR




NOTES:

- ① CONTACT MATERIAL: PHOSPHORBRONZE
- ② PLATING: MIN. 2,5µm Sn
- ③ CONTACT POINT
- ④ BOTTOM OF CONTACT TO BE STRAIGHT AFTER CRIMPING OF WIRE
- 5 WIRE RANGE: 0,08-0,22mm<sup>2</sup>  
INSULATION RANGE: 0,80-1,50 DIA.
- ⑥ OPTIONAL
- 7 THE CONTACT MEETS THE REQUIREMENT OF INTERNATIONAL STANDARD IEC 603-8
- ⑧ LOOSE PIECE VERSION



	188744-1	182734-2	⑧
②	①	188744-1	
FINISH	MATERIAL	PART NUMBER	

THIS DRAWING IS A CONTROLLED DOCUMENT. CE PLAN EST UN DOCUMENT CONTROLE		DWN/DESSINE 22-NOV-04 Jean-Jacques DESPRETZ		 TE Connectivity	
DIMENSIONS: mm		CHK/VERIFIE T CORRIOU			
TOLERANCES UNLESS OTHERWISE SPECIFIED: TOLERANCES NON SPECIFIEES (SUIV NB DE DECIMALES): 0-PLC/DEC ± - 1-PLC/DEC ± - 2-PLC/DEC ± - 3-PLC/DEC ± - 4-PLC/DEC ± - ANGLES ± -		APVD/APPROUVE Y PETRONIN		NAME TITRE	
		PRODUCT SPEC SPEC. PRODUIT		HE1402 CONNECTOR (TIN VERSION)	
MATERIAL MATIERE		APPLICATION SPEC SPEC. APPLICATION		CRIMP CONTACT ( AWG 28-24 )	
FINISH FINITION		WEIGHT MASSE APPROX. -		SIZE FORMAT	RESTRICTED TO
		CUSTOMER DRAWING/PLAN CLIENT		CAGE CODE 00779	DRAWING NO No PLAN G-188744
		UNIQUEMENT POUR REFERENCE		SCALE ECHELLE 1:1	SHEET FEUILLE 1 OF DE 1
				REV G1	