



Chipsmall Limited consists of a professional team with an average of over 10 year of expertise in the distribution of electronic components. Based in Hongkong, we have already established firm and mutual-benefit business relationships with customers from,Europe,America and south Asia,supplying obsolete and hard-to-find components to meet their specific needs.

With the principle of "Quality Parts,Customers Priority,Honest Operation,and Considerate Service",our business mainly focus on the distribution of electronic components. Line cards we deal with include Microchip,ALPS,ROHM,Xilinx,Pulse,ON,Everlight and Freescale. Main products comprise IC,Modules,Potentiometer,IC Socket,Relay,Connector.Our parts cover such applications as commercial,industrial, and automotives areas.

We are looking forward to setting up business relationship with you and hope to provide you with the best service and solution. Let us make a better world for our industry!



Contact us

Tel: +86-755-8981 8866 Fax: +86-755-8427 6832

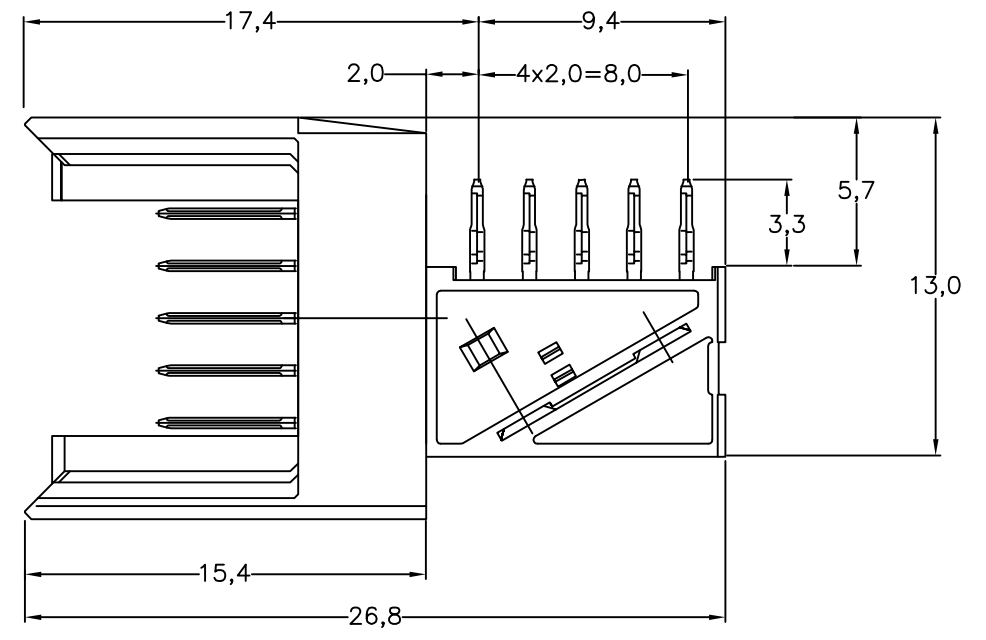
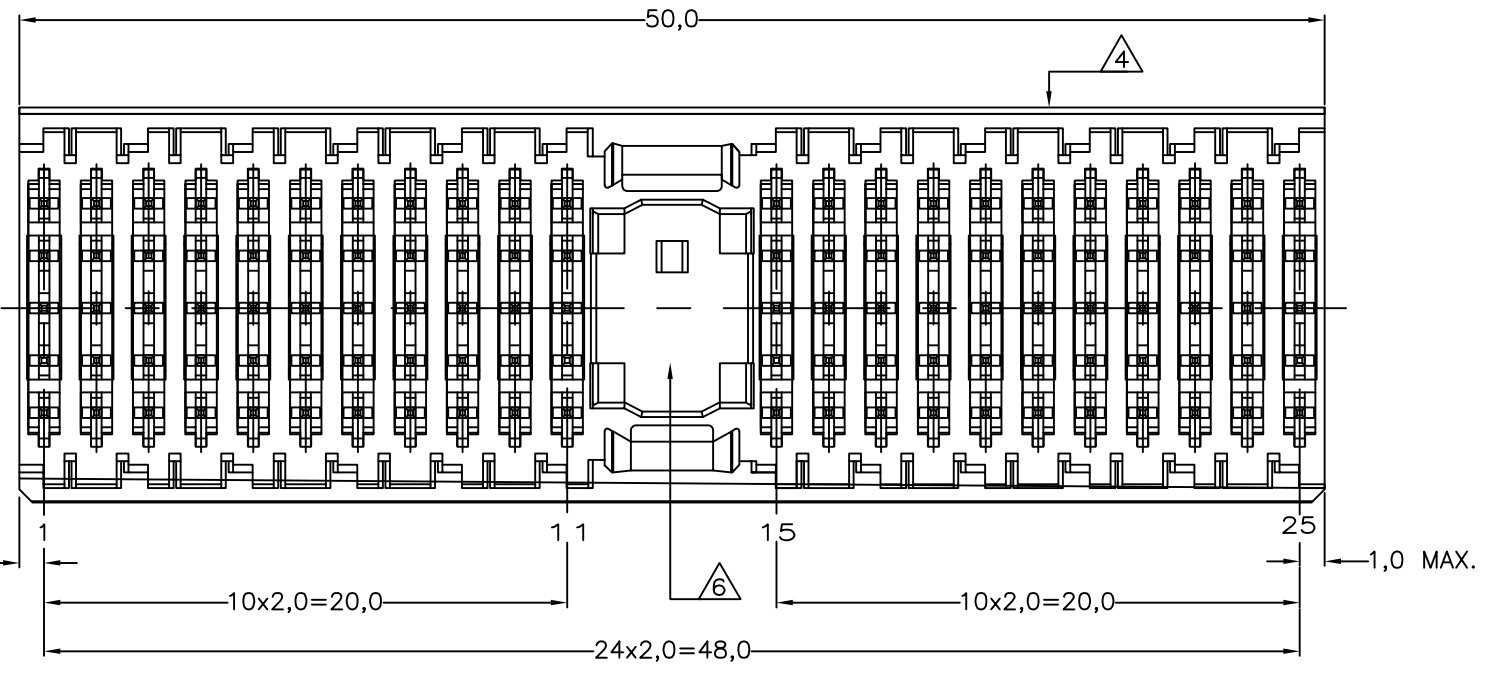
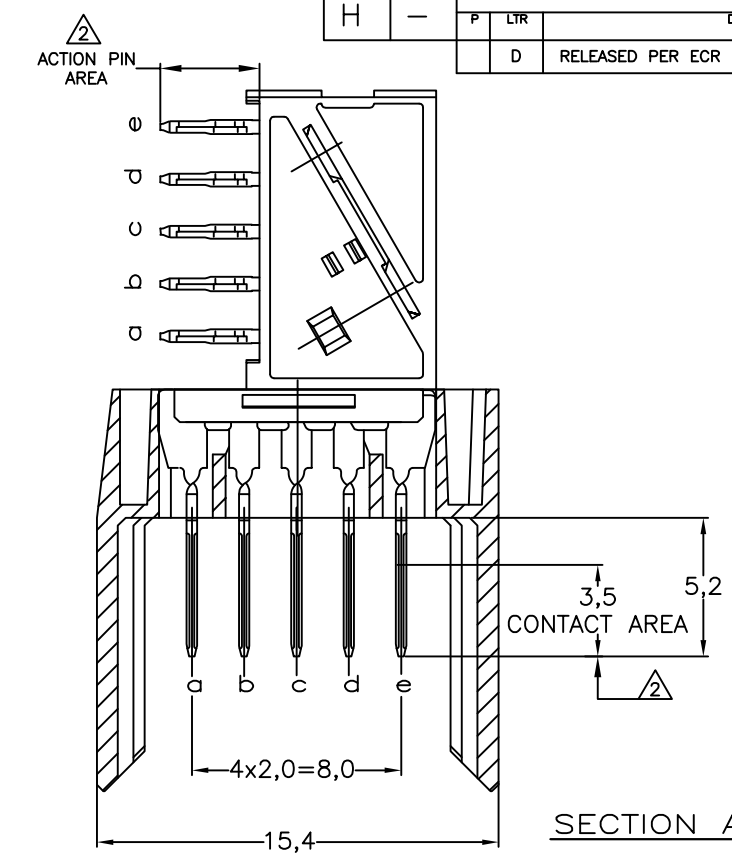
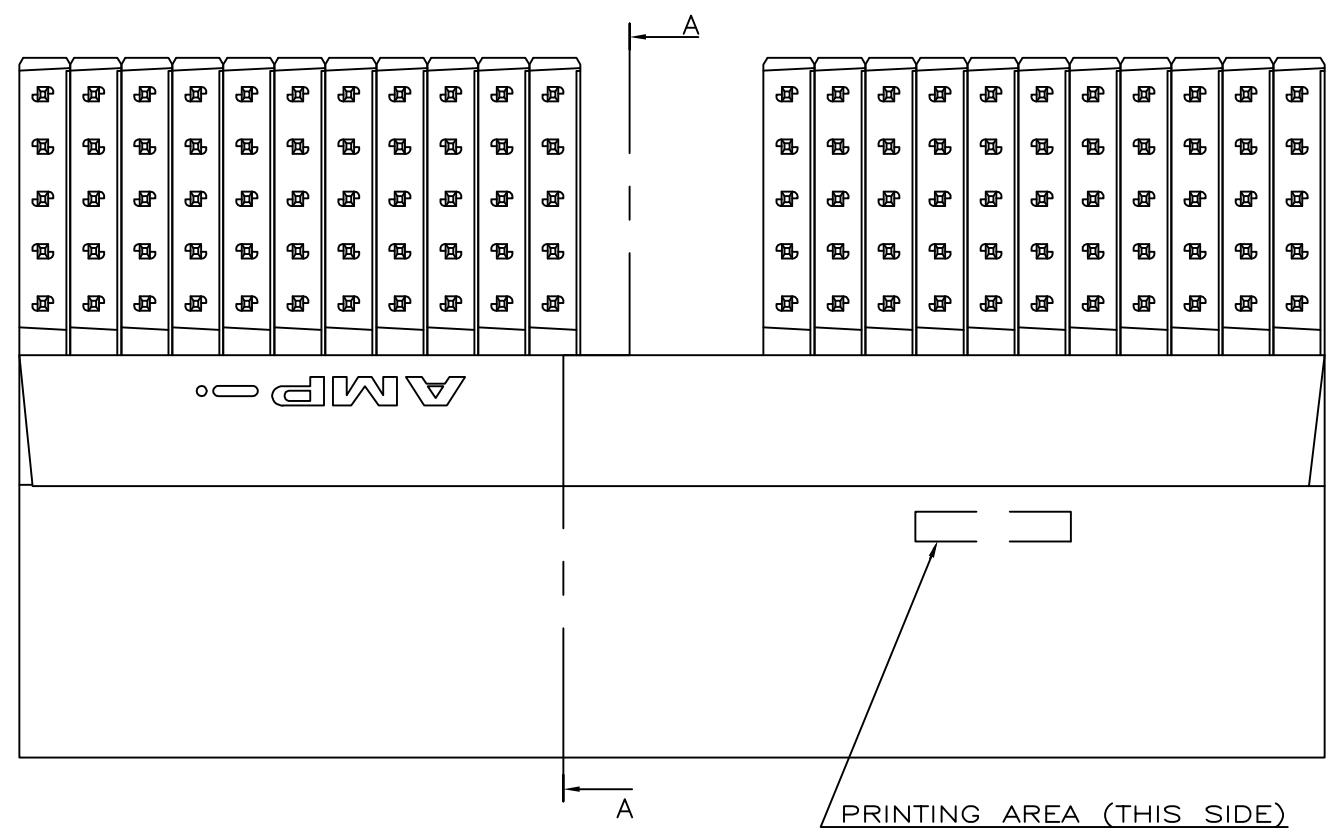
Email & Skype: info@chipsmall.com Web: www.chipsmall.com

Address: A1208, Overseas Decoration Building, #122 Zhenhua RD., Futian, Shenzhen, China

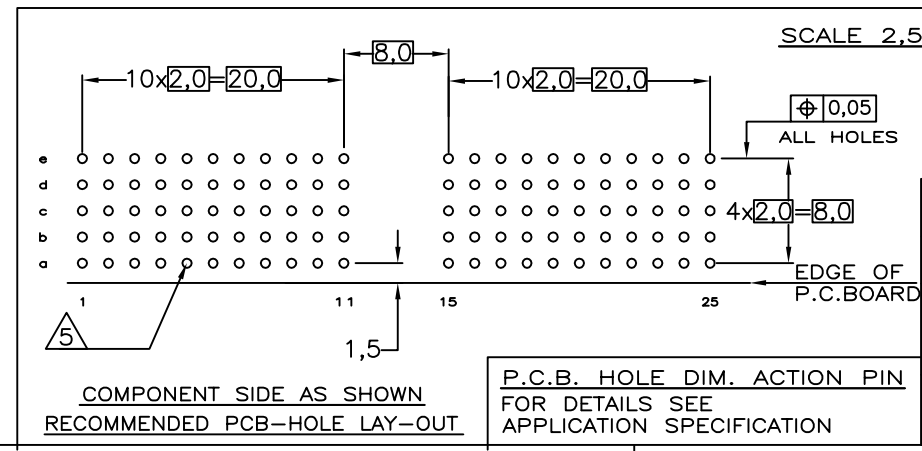


THIS DRAWING IS UNPUBLISHED. RELEASED FOR PUBLICATION
 © COPYRIGHT - By - ALL RIGHTS RESERVED.

LOC		DIST		REVISIONS			
P	LTR	DESCRIPTION	DATE	DWN	APVD		
D		RELEASED PER ECR ECR-11-013217	21JUL11	RC	CW		



- NOTES:**
- ⚠ MATERIAL CONTACT; PHOSPHORBRONZE
 - ⚠ MATERIAL HOUSING; GLASSFILLED POLYESTER, UL94-V0 (GRAY)
 - ⚠ GENERAL PLATING SPECIFICATION: UNDERPLATING (ENTIRE CONTACT): 1,27µm NICKEL MIN. AND ACTION PIN: 0,5µm TIN-LEAD MIN. FOR PLATING OF MATING SURFACES SEE APPLICABLE SPECIFICATION REFERENCE FOR EACH DASH NUMBER.
 - ⚠ CONFORMS TO ALL TESTING ACCORDING IEC 61076-4-101 PERFORMANCE LEVEL 2.
 - ⚠ CONNECTOR PRINTED WITH PARTNUMBER AND DATECODE
 - ⚠ PLATED-THROUGH HOLES AT 2x2mm SQUARE GRID. 110 HOLES.
 - ⚠ AREA RESERVED FOR KEYING PART (BASIC P.N. 100525)



THIS DRAWING IS A CONTROLLED DOCUMENT.

DWN E. DERKS	16AUG95	FINISH	188749-1
CHK F.v.KONINGSBRUGGE	24AUG95	MATERIAL	PARTNUMBER
APVD		TE Connectivity	
PRODUCT SPEC		Z-PACK 2MM HM TYPE A	
APPLICATION SPEC		110 POS. MALE EXTENDER CARD CONN.	
114-19029		WITH REVERSED FRONT HOUSING	
WEIGHT		SIZE	CAGE CODE
		A2	00779
		DRAWING NO	188749
CUSTOMER DRAWING		SCALE	NTS
		SHEET	1 OF 1
		REV	D