



Chipsmall Limited consists of a professional team with an average of over 10 year of expertise in the distribution of electronic components. Based in Hongkong, we have already established firm and mutual-benefit business relationships with customers from,Europe,America and south Asia,supplying obsolete and hard-to-find components to meet their specific needs.

With the principle of "Quality Parts,Customers Priority,Honest Operation,and Considerate Service",our business mainly focus on the distribution of electronic components. Line cards we deal with include Microchip,ALPS,ROHM,Xilinx,Pulse,ON,Everlight and Freescale. Main products comprise IC,Modules,Potentiometer,IC Socket,Relay,Connector.Our parts cover such applications as commercial,industrial, and automotives areas.

We are looking forward to setting up business relationship with you and hope to provide you with the best service and solution. Let us make a better world for our industry!



## Contact us

Tel: +86-755-8981 8866 Fax: +86-755-8427 6832

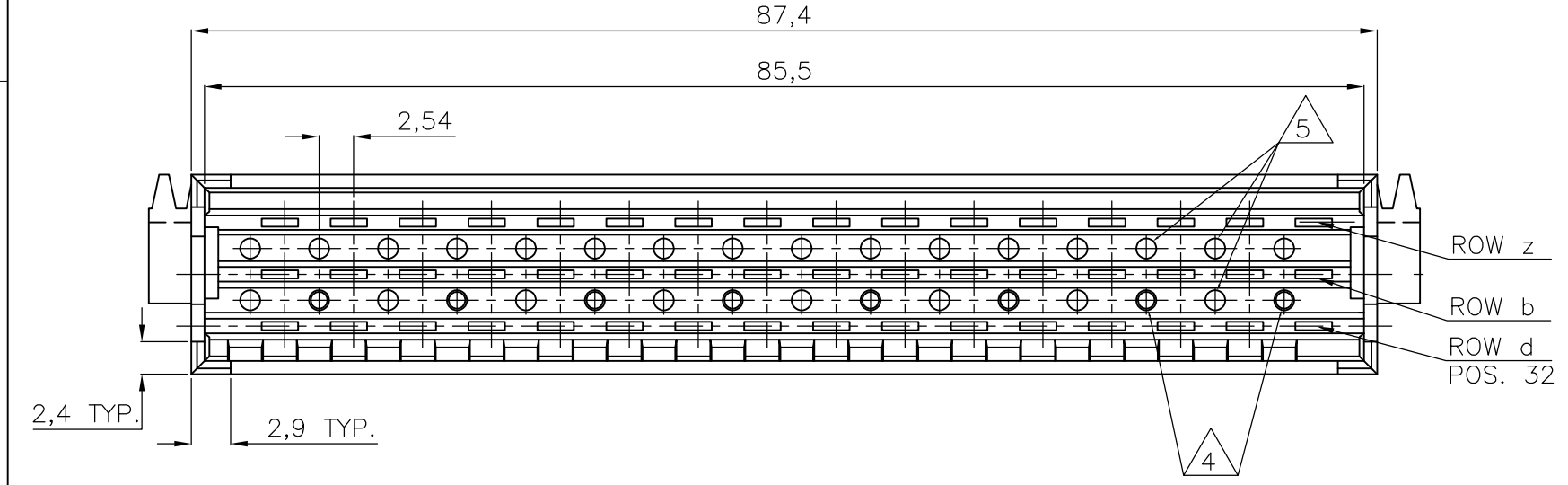
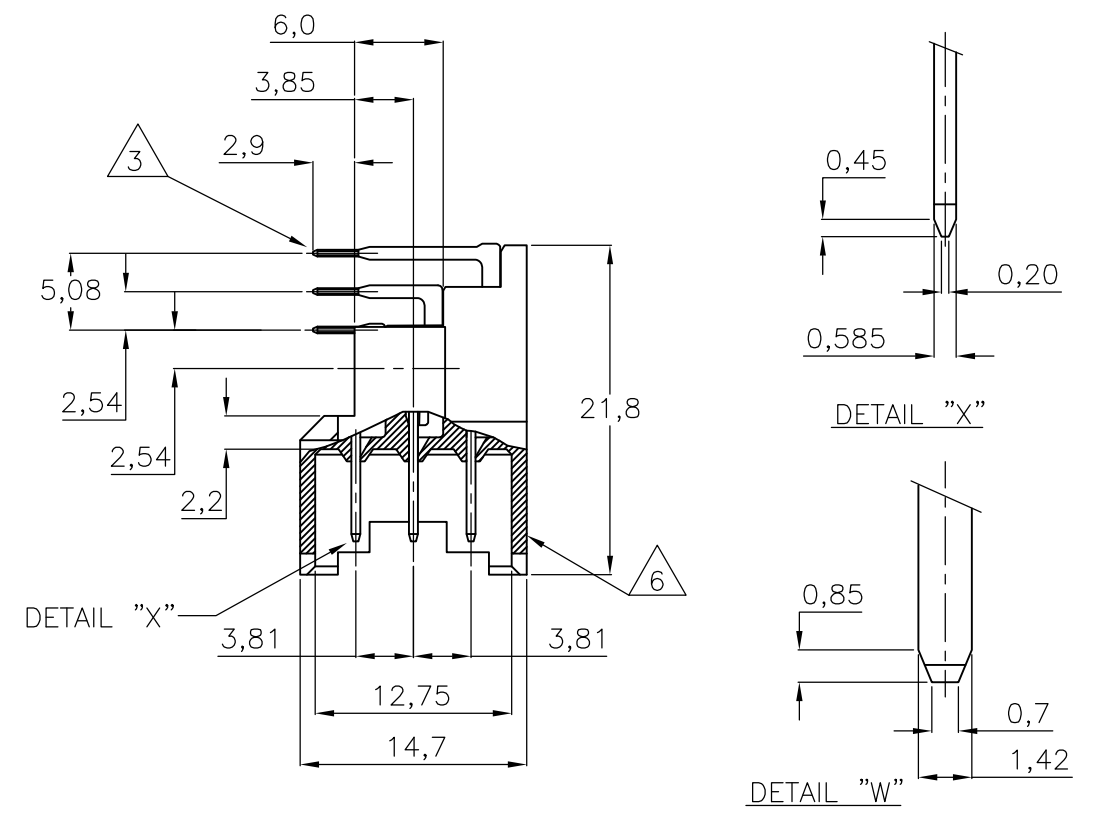
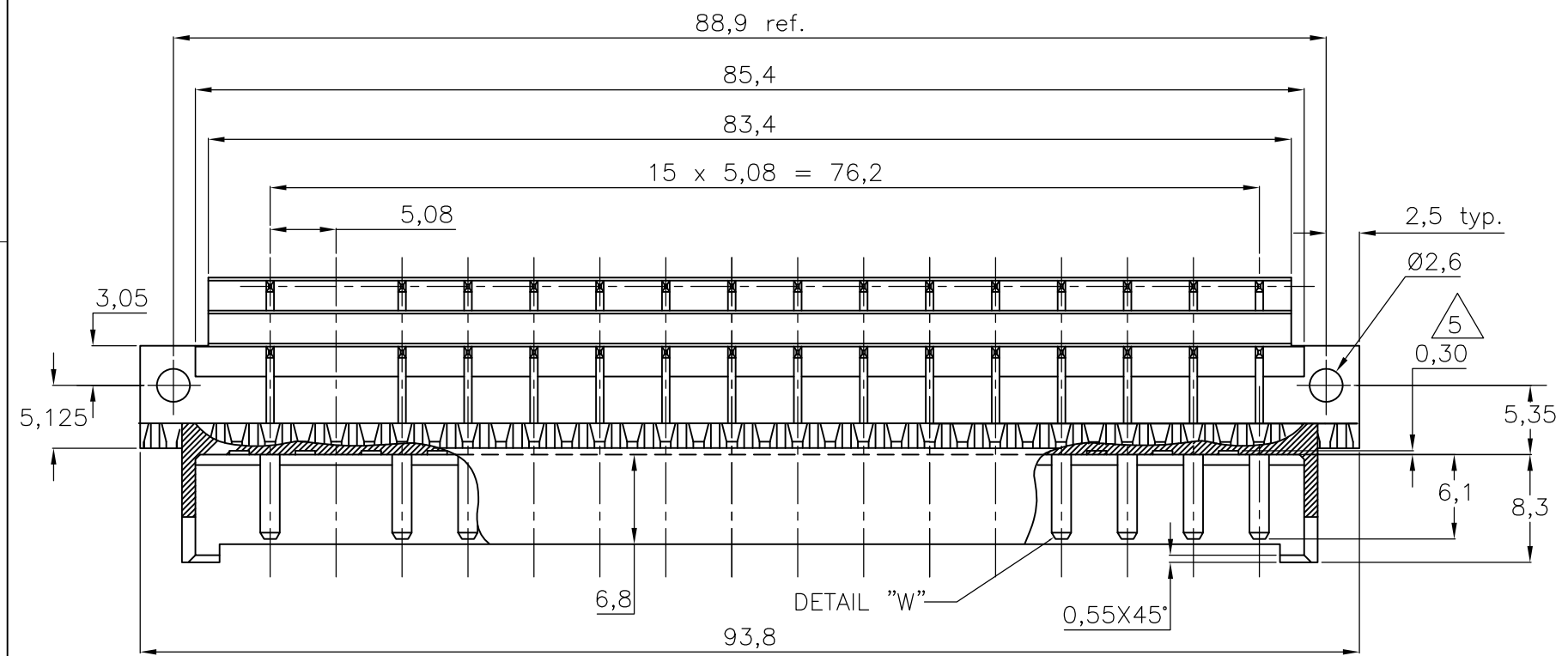
Email & Skype: info@chipsmall.com Web: www.chipsmall.com

Address: A1208, Overseas Decoration Building, #122 Zhenhua RD., Futian, Shenzhen, China



THIS DRAWING IS UNPUBLISHED. RELEASED FOR PUBLICATION  
 © COPYRIGHT - By - ALL RIGHTS RESERVED.

LOC	DIST	REVISIONS					
H	-	P	LTR	DESCRIPTION	DATE	DWN	APVD
		F		REVISED PER ECO-15-005333	07JUL2015	AP	RP



CONTACT No.	2	4	6	8	10	12	14	16	18	20	22	24	26	28	30	32
z	x		x	x	x	x	x	x	x	x	x	x	x	x	x	x
F 48 ROW b	x															
d	x		x	x	x	x	x	x	x	x	x	x	x	x	x	x

AN ASTERISK „X” DENOTES A STANDARD CONTACT.

RESTRICTED TO HONEYWELL

- NOTES:
- ① MATERIAL:  
 -HOUSING: THERMOPLASTIC POLYESTER, COLOR GREY.  
 -CONTACTS: BRASS.
  - ② PLATING CONTACT:  
 -1 : EIC 60603-2 PERFORMANCE LEVEL I OVER NICKEL IN CONTACT AREA.  
 Sn OVER 1.25µm Ni ON SOLDER POST.  
 -4 : EIC 60603-2 PERFORMANCE LEVEL II OVER NICKEL IN CONTACT AREA.  
 Sn OVER 1.25µm Ni ON SOLDER POST.
  - ③ SOLDER POSTS SUITABLE FOR P.C.B. HOLES  
 0,8±0,05 OR 1,0±0,1 DIA.
  - ④ 8 HOLES SUITABLE FOR KEYING PIN PN. 215916-1.
  - ⑤ KEYING HOLES TO BE DRILLED BY CUSTOMER.
  - ⑥ PRINTING PART NUMBER AND DATE CODE AT THIS SIDE.

THIS DRAWING IS A CONTROLLED DOCUMENT.

DIMENSIONS:	TOLERANCES UNLESS OTHERWISE SPECIFIED:
mm	
0 PLC	± -
1 PLC	± -
2 PLC	± -
3 PLC	± -
4 PLC	± -
ANGLES	± -
MATERIAL	FINISH
-	-

DWN	R.V.LOKVEN	25MAY93
CHK	J.V.GRUNSEVEN	25MAY93
APVD	L.V.SOET	25MAY93
PRODUCT SPEC	-	-
APPLICATION SPEC	-	-
WEIGHT	-	-
CUSTOMER DRAWING		

OBSOLETE	SEE NOTE ②	SEE NOTE ①	188753-4
	FINISH	MATERIAL	188753-1
			PARTNUMBER



31 POS. DIN 41612 F MALE  
 90° SOLDER CONNECTOR

SIZE	CAGE CODE	DRAWING NO	RESTRICTED TO
A3	00779	C=188753	-
SCALE		SHEET	REV
NTS		1 OF 1	F