



Chipsmall Limited consists of a professional team with an average of over 10 year of expertise in the distribution of electronic components. Based in Hongkong, we have already established firm and mutual-benefit business relationships with customers from,Europe,America and south Asia,supplying obsolete and hard-to-find components to meet their specific needs.

With the principle of “Quality Parts,Customers Priority,Honest Operation,and Considerate Service”,our business mainly focus on the distribution of electronic components. Line cards we deal with include Microchip,ALPS,ROHM,Xilinx,Pulse,ON,Everlight and Freescale. Main products comprise IC,Modules,Potentiometer,IC Socket,Relay,Connector.Our parts cover such applications as commercial,industrial, and automotives areas.

We are looking forward to setting up business relationship with you and hope to provide you with the best service and solution. Let us make a better world for our industry!



Contact us

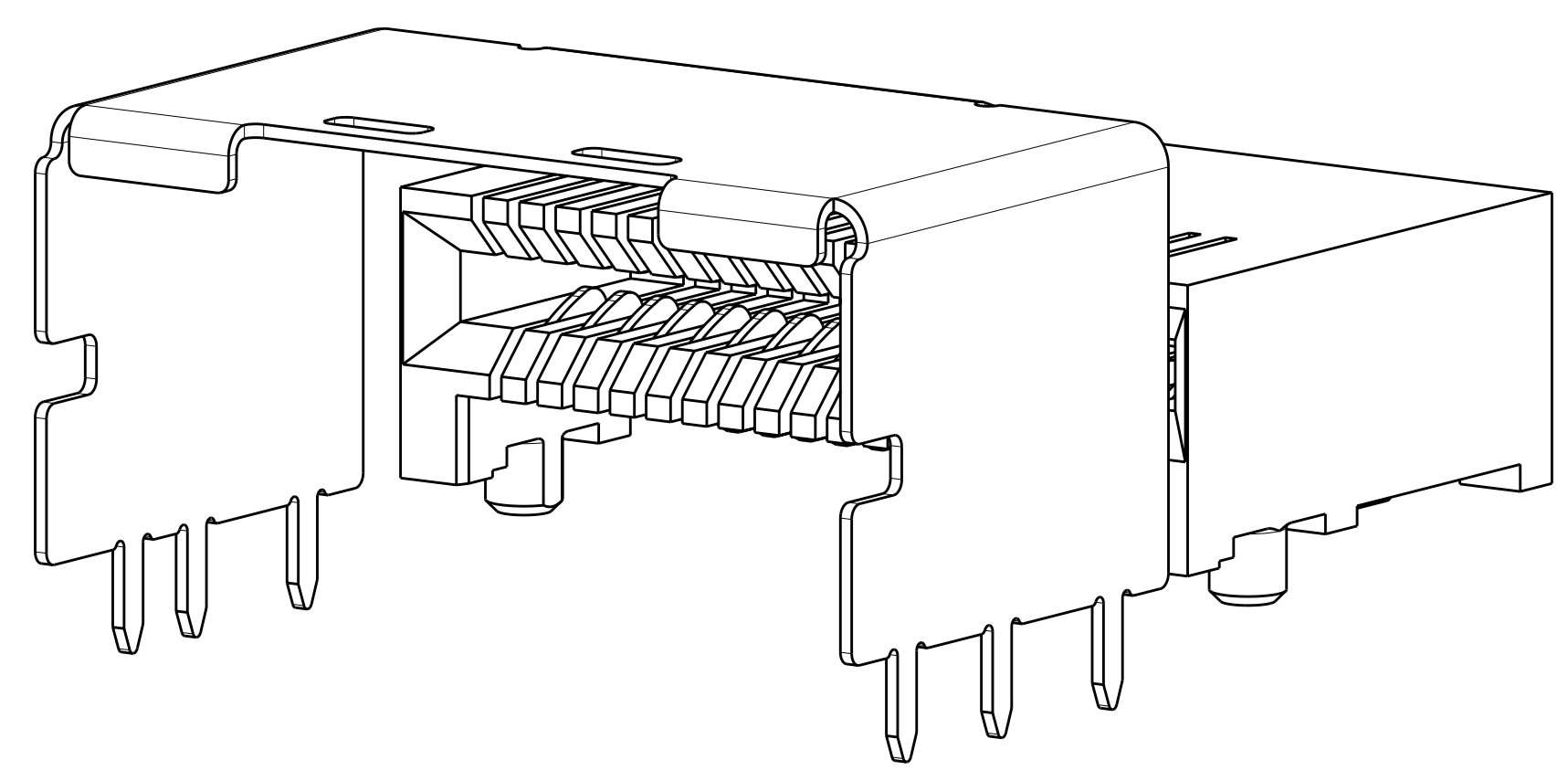
Tel: +86-755-8981 8866 Fax: +86-755-8427 6832

Email & Skype: info@chipsmall.com Web: www.chipsmall.com

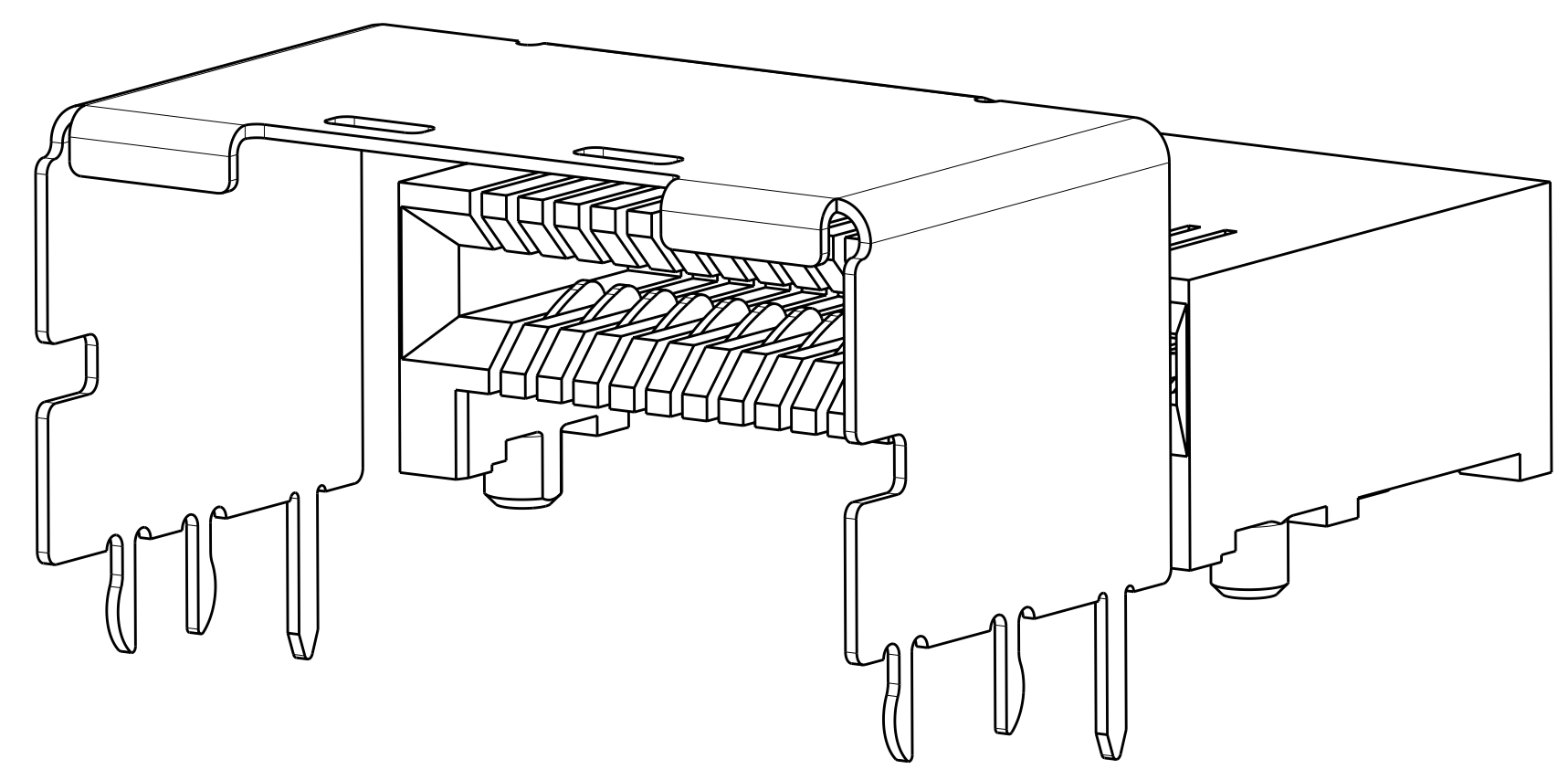
Address: A1208, Overseas Decoration Building, #122 Zhenhua RD., Futian, Shenzhen, China



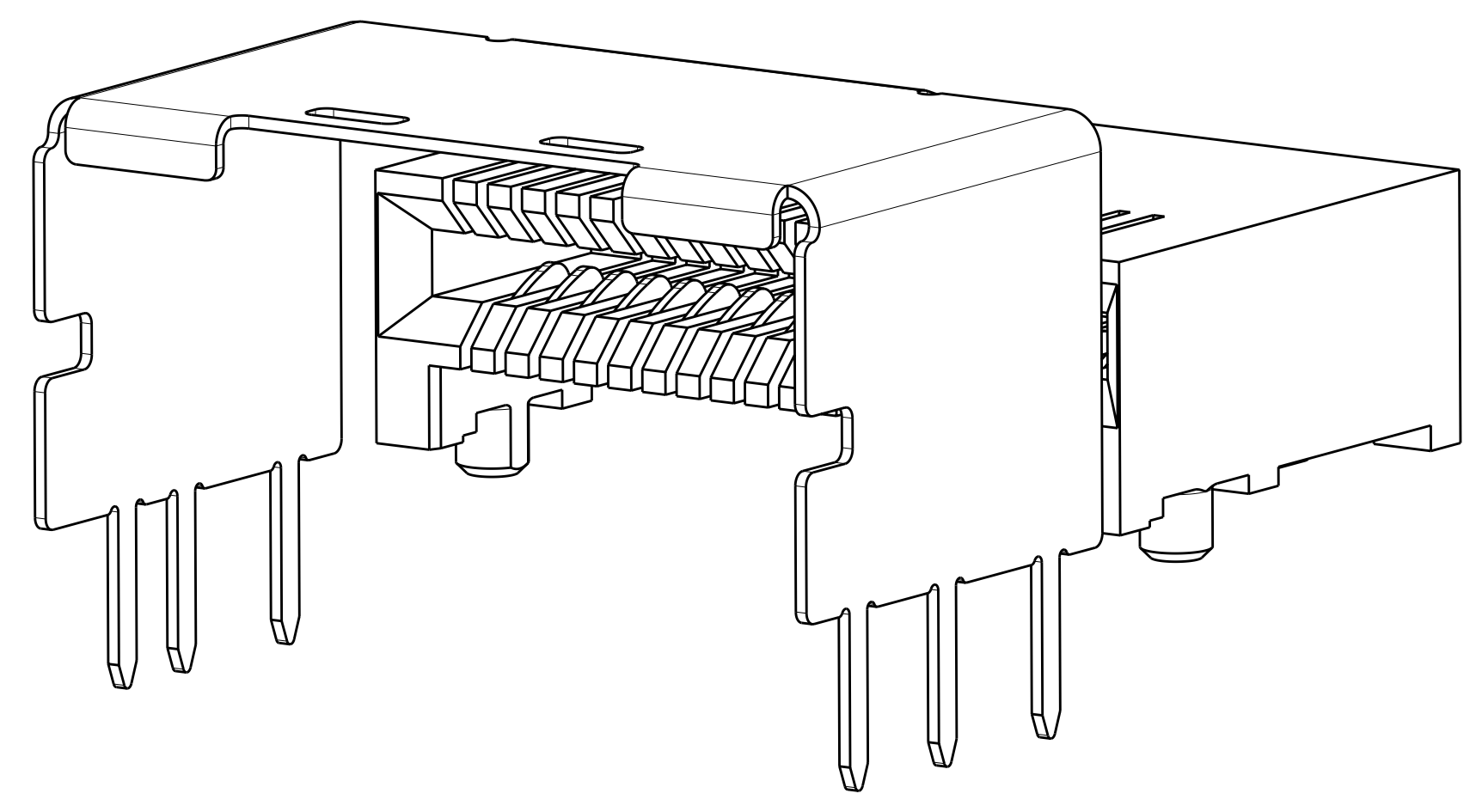
LOC	DIST	REVISIONS			
GP	00	REV	DATE	BY	APPD
		B2	11MAR2011	RK	HMR



1888019-2
 SHOWN WITHOUT PICK AND PLACE DEVICE
 SCALE 8:1

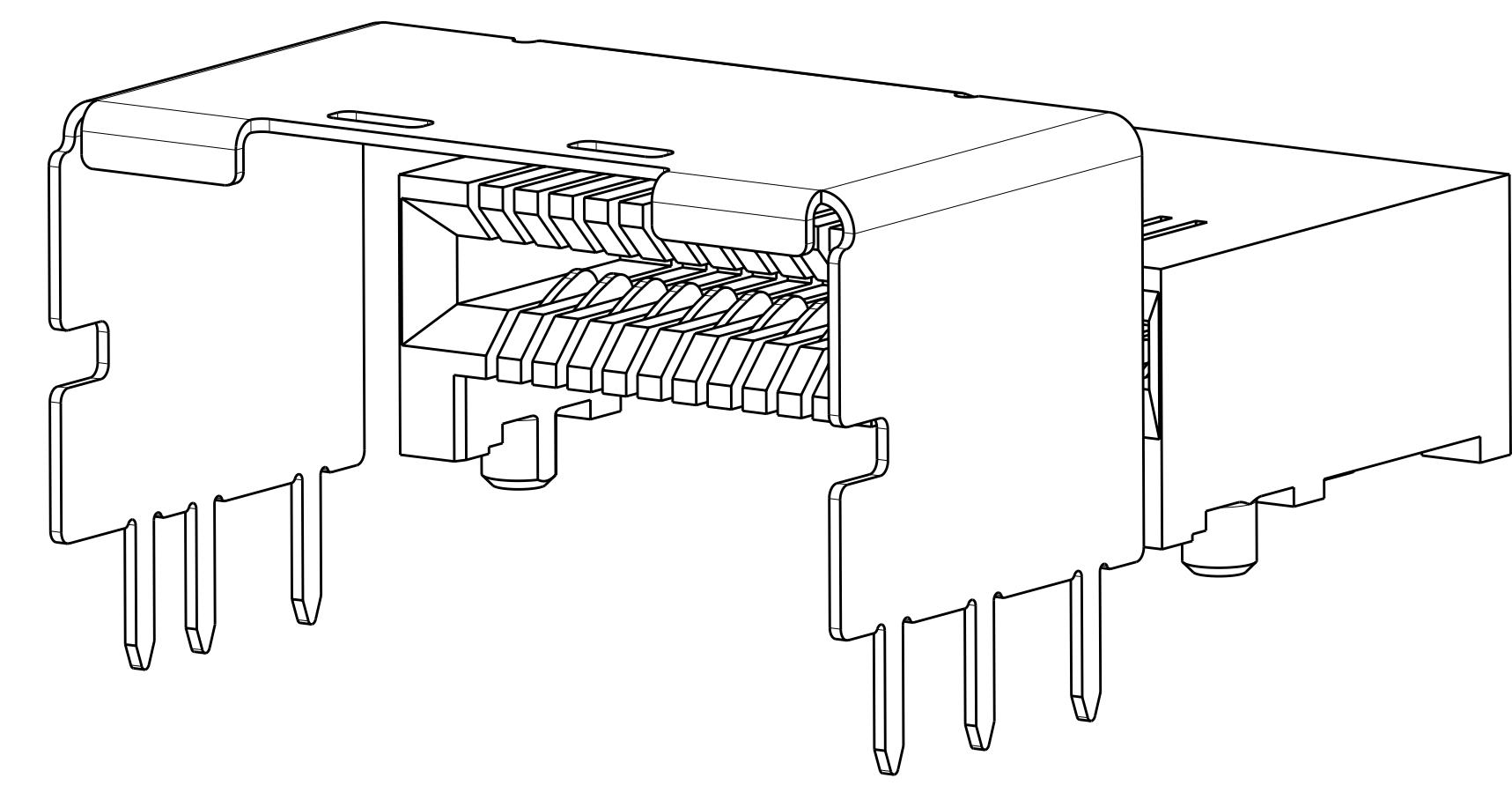


1888019-4
 SHOWN WITHOUT PICK AND PLACE DEVICE
 SCALE 8:1



1888019-8
 SHOWN WITHOUT PICK AND PLACE DEVICE
 SCALE 8:1

- 1 MATERIAL: LCP, BLACK.
- 2 MATERIAL: PHOSPHOR BRONZE PER ASTM B 103.
- 3 FINISH: 0.76µm MIN GOLD PLATE PER ASTM B 488, APPLIES TO INTERFACE AREA AND 2.03µm MIN TIN PLATE SOLDER TAILS, ALL OVER 3.81µm MIN NICKEL PLATE PER QQ-N-290.
- 4 MATERIAL: NICKEL-SILVER PER ASTM B 122.
- 5 DATUM AND BASIC DIMENSION ESTABLISHED BY CUSTOMER.
- 6. REFER TO CUSTOMER DRAWING 1761987 FOR CONNECTOR DETAILS.
- 7. PACKAGED IN TAPE AND REEL PER EIA-481.
- 8 FINISH: 0.38µm MIN GOLD PLATE PER ASTM B 488, APPLIES TO INTERFACE AREA AND 2.03µm MIN TIN PLATE SOLDER TAILS, ALL OVER 3.81µm MIN NICKEL PLATE PER QQ-N-290.



1888019-6
 SHOWN WITHOUT PICK AND PLACE DEVICE
 SCALE 8:1

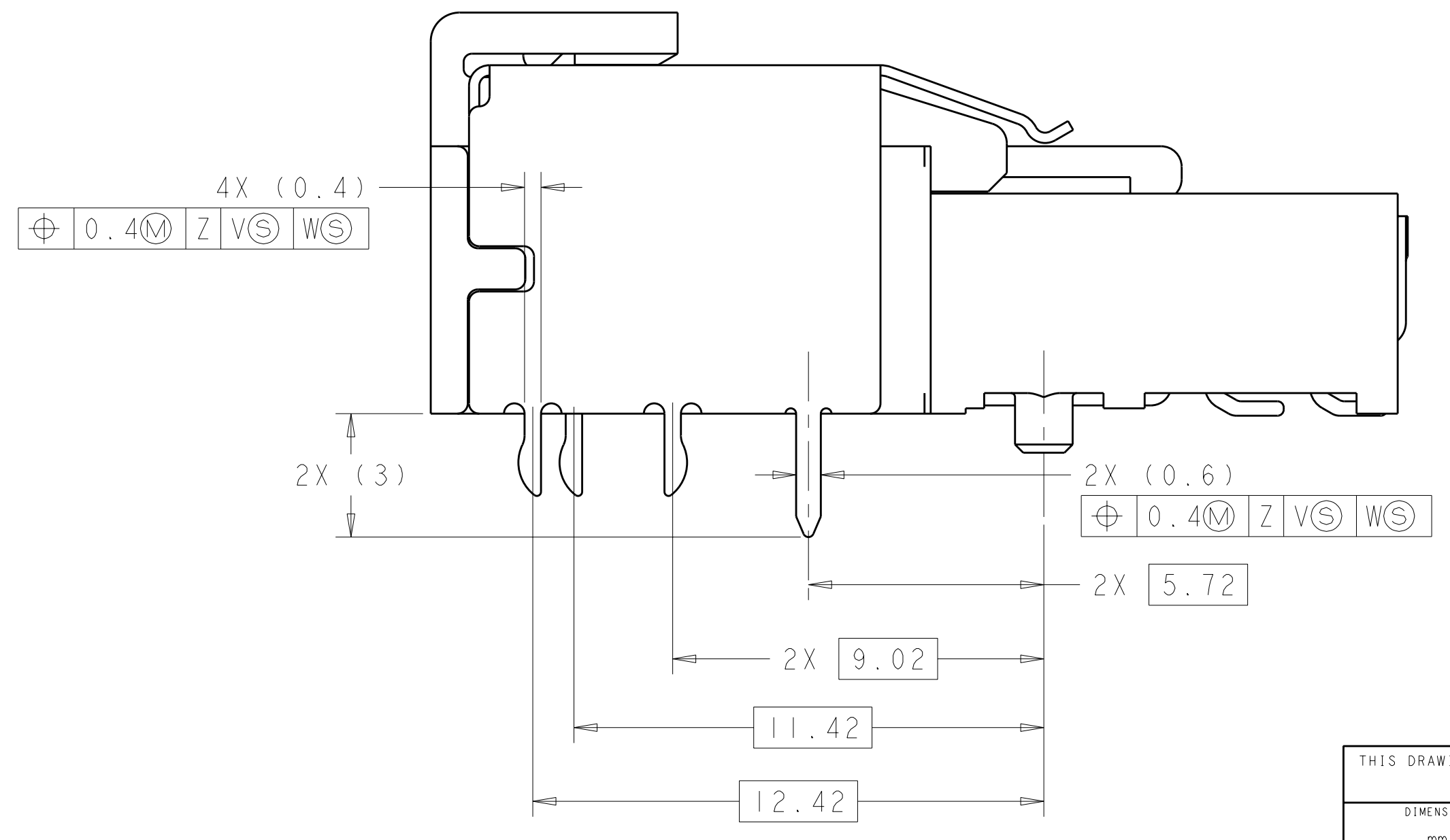
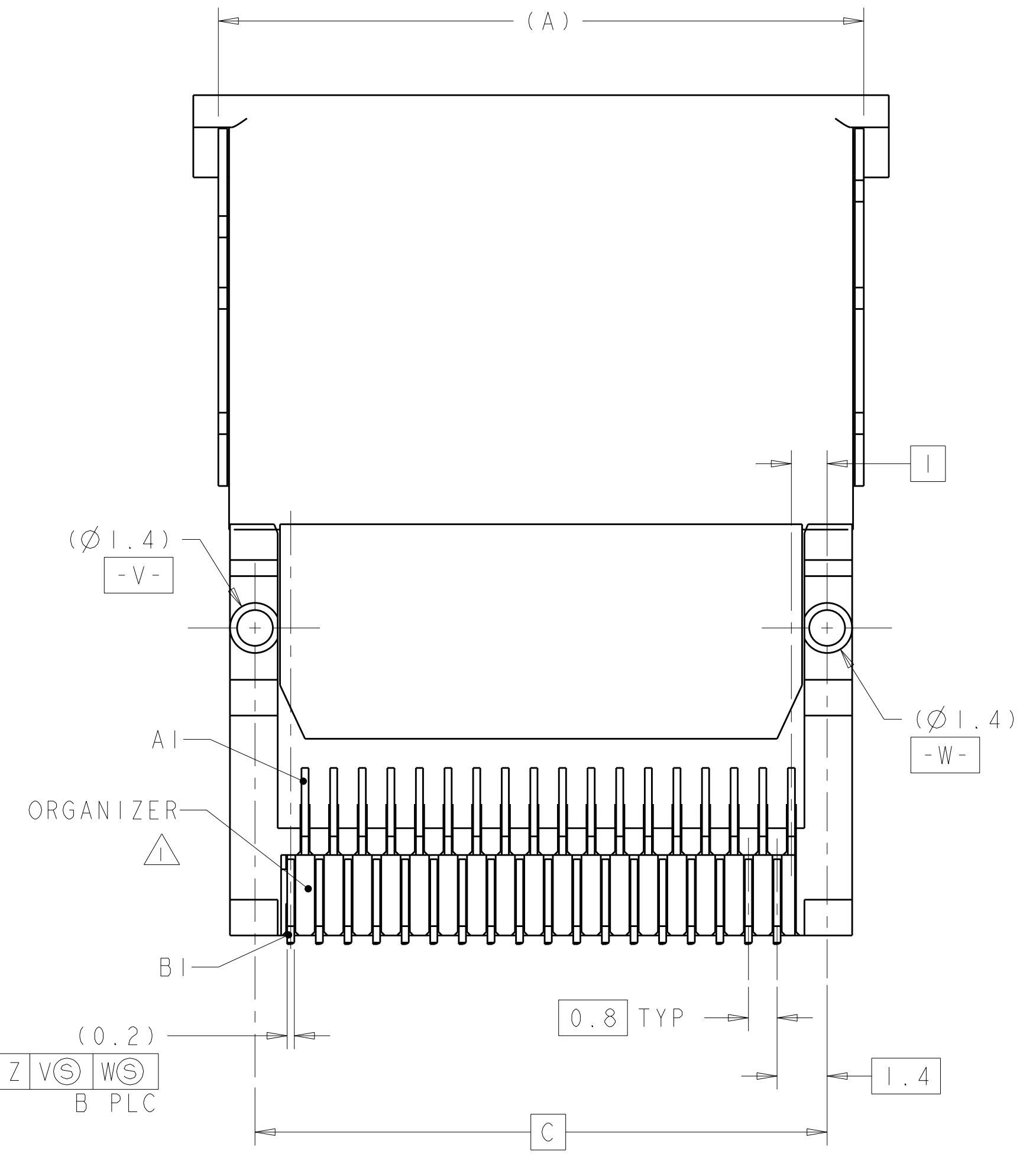
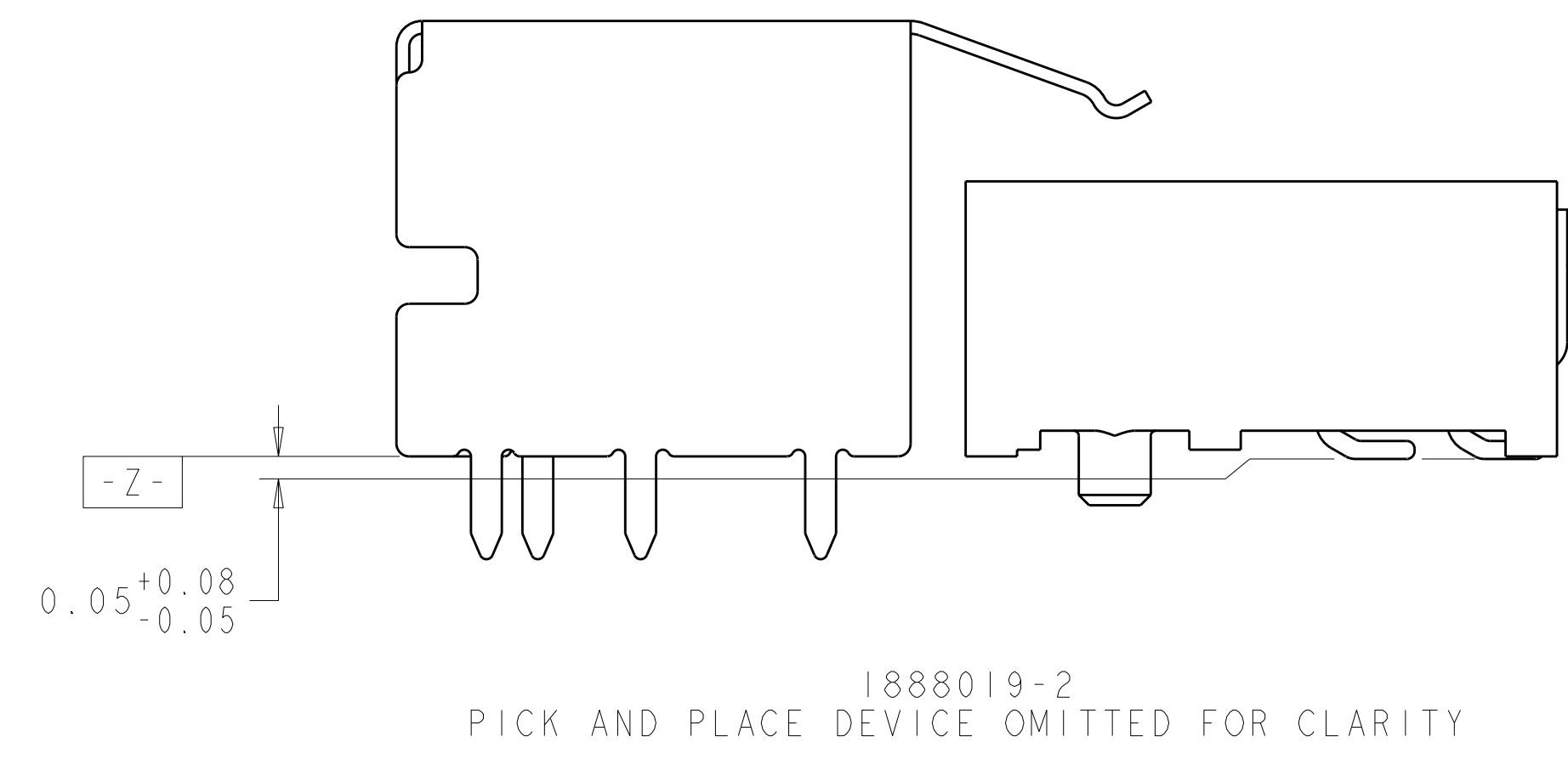
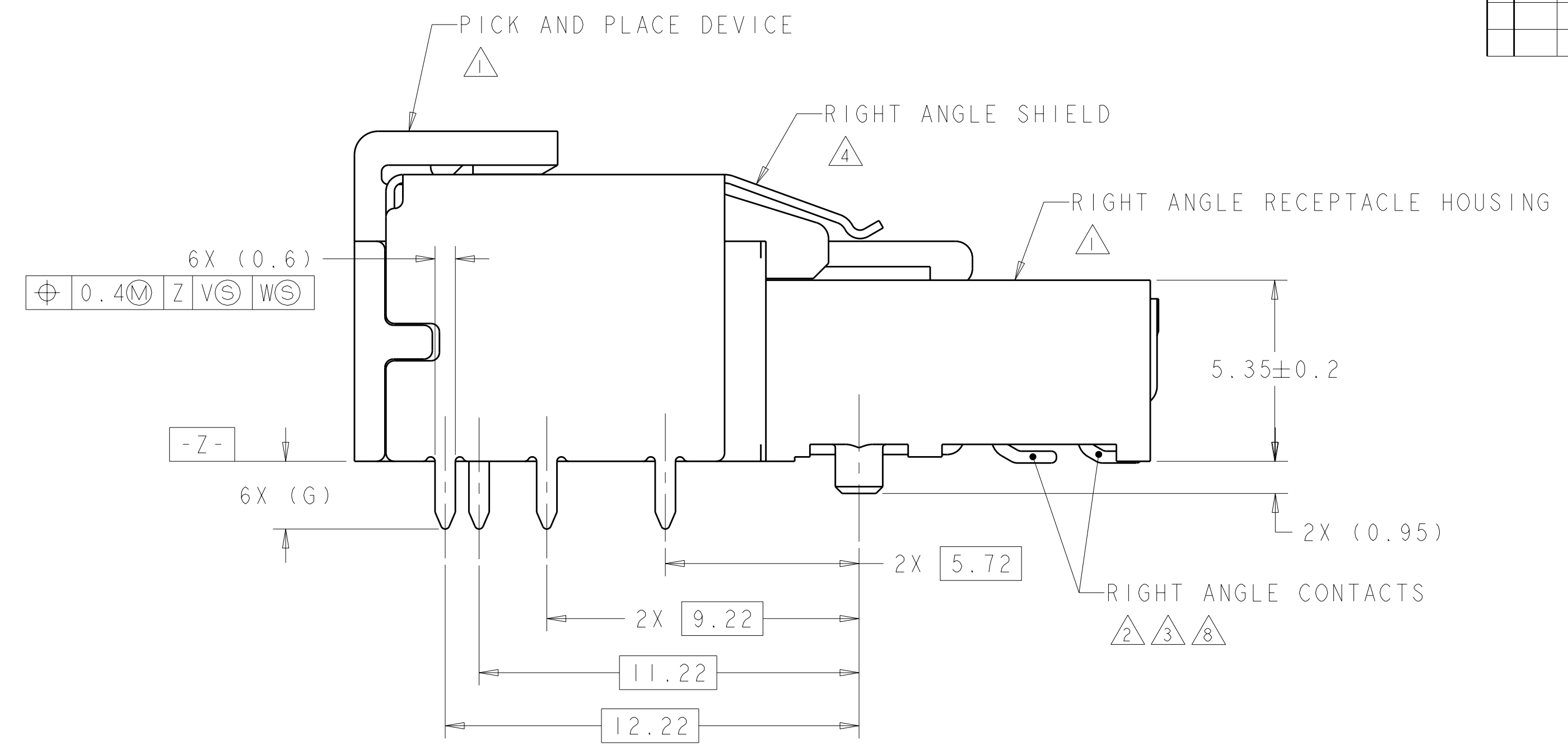
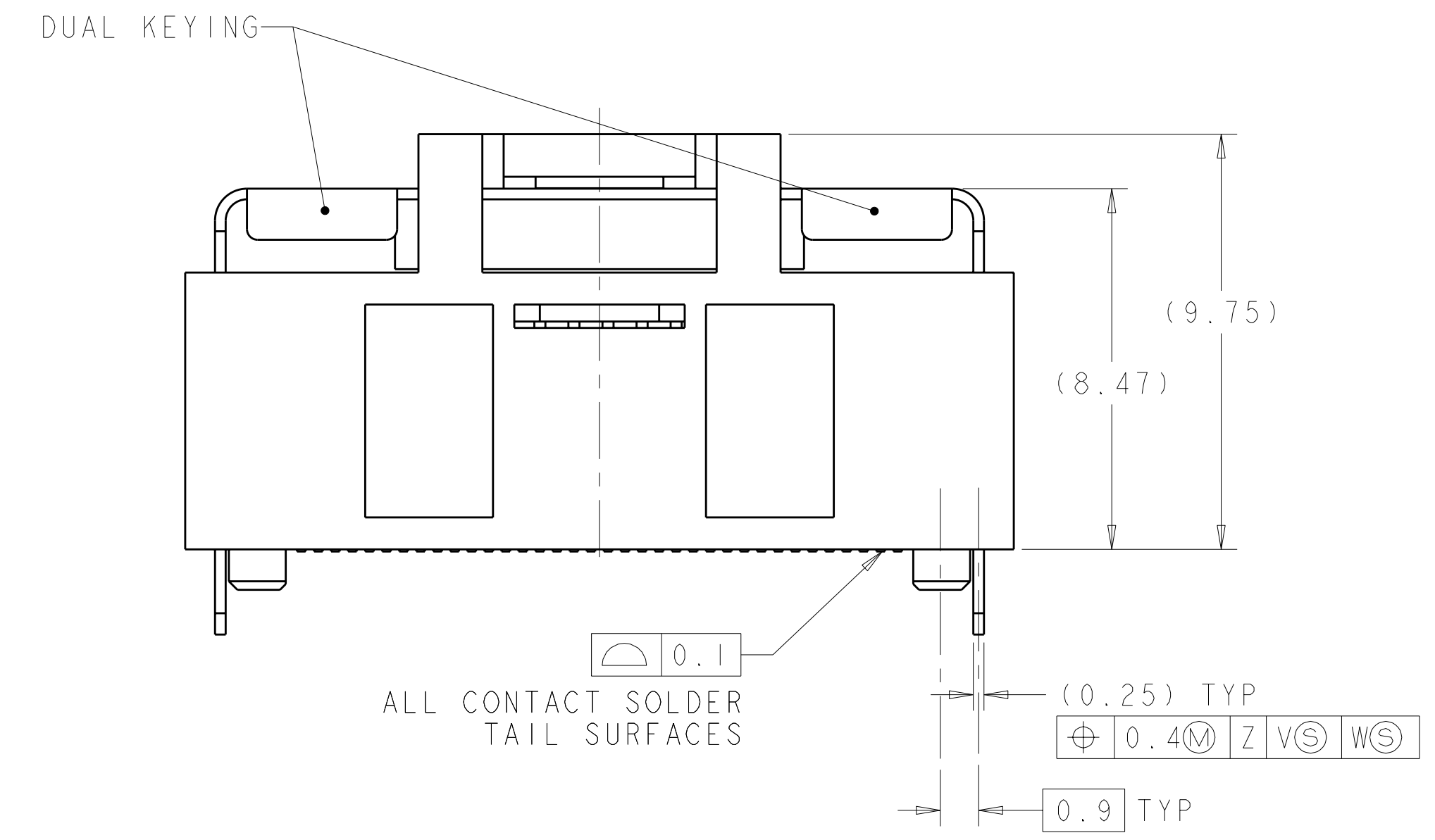
FINISH	SHELL TYPE	G	E	D	C	B	A	POSN	PART NUMBER
8	THRU HOLE	3.5	17.8	16	16	36	18.05	36	1-1888019-2
	THRU HOLE	2.8	17.8	16	16	36	18.05	36	1-1888019-1
	PRESS FIT	-	17.8	16	16	36	18.05	36	1-1888019-0
	THRU HOLE	2	17.8	16	16	36	18.05	36	1888019-9
3	THRU HOLE	3.5	17.8	16	16	36	18.05	36	1888019-8
	THRU HOLE	2.8	17.8	16	16	36	18.05	36	1888019-6
	PRESS FIT	-	17.8	16	16	36	18.05	36	1888019-4
	THRU HOLE	2	17.8	16	16	36	18.05	36	1888019-2

THIS DRAWING IS A CONTROLLED DOCUMENT.

DIMENSIONS:	TOLERANCES UNLESS OTHERWISE SPECIFIED:	DWN M. E. CONNER 18JUL2005	CHK R. R. HENRY 18JUL2005	APVD R. R. HENRY 18JUL2005
mm	9 PLC ±	NAME EVERCLEAR Mini-SAS RIGHT ANGLE INTERNAL RECEPTACLE ASSEMBLY WITH DUAL KEYED SHELL		
	1 PLC ±	SIZE CAGE CODE DRAWING NO RESTRICTED TO		
	2 PLC ±	A100779C-1888019		
	3 PLC ±	SCALE 8:1 SHEET 1 OF 3 REV B2		
	4 PLC ±	CUSTOMER DRAWING		
	ANGLES ±			
MATERIAL SEE NOTES	FINISH SEE TABLE			

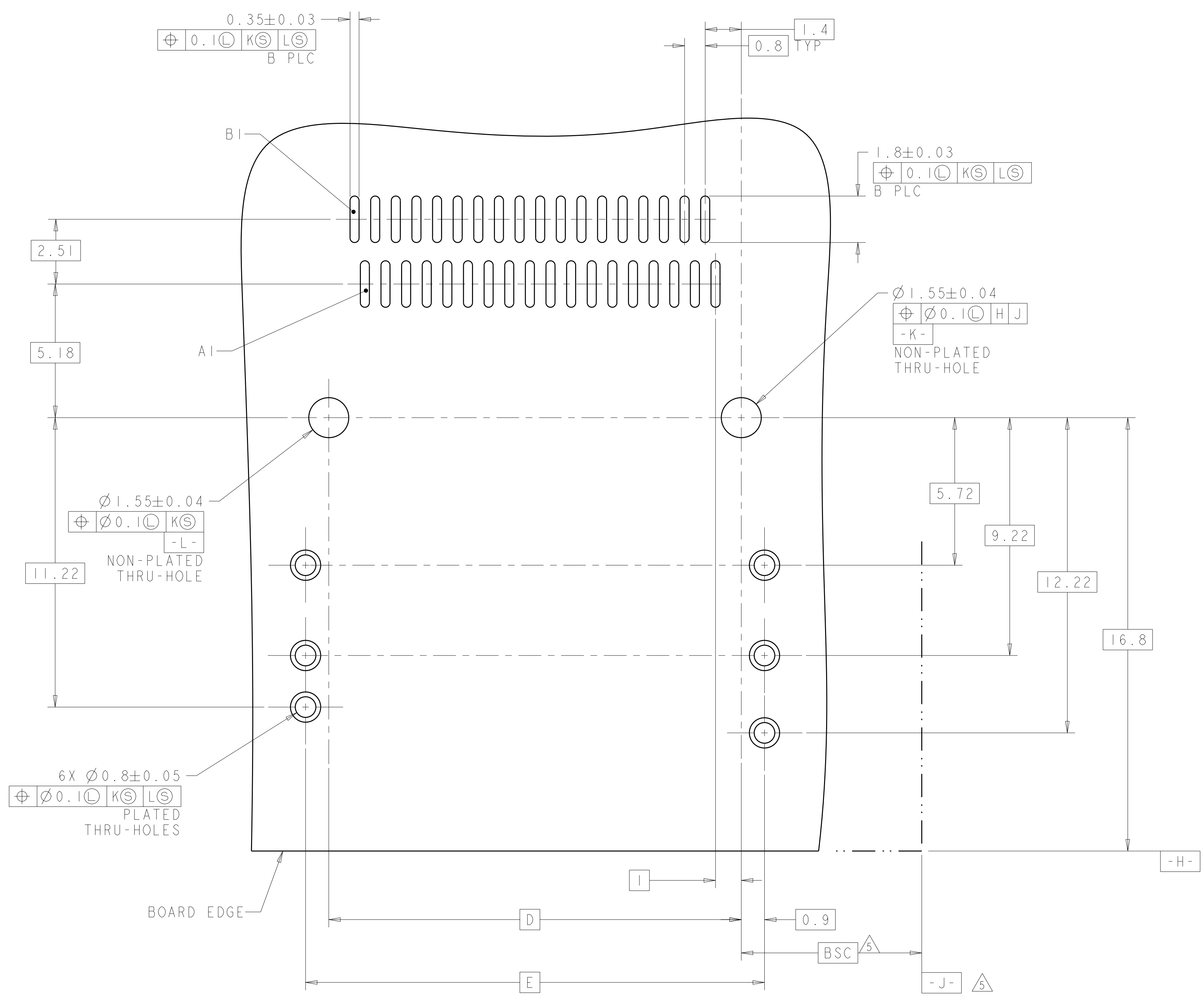
STE TE Connectivity

LOC	DIST	REV	DATE	BY	APPD
GP	00				
REVISIONS					



THIS DRAWING IS A CONTROLLED DOCUMENT.		DWN M.E. CONNER 18JUL2005 CHK R.R. HENRY 18JUL2005 APVD R.R. HENRY 18JUL2005	TE Connectivity
DIMENSIONS: mm 	TOLERANCES UNLESS OTHERWISE SPECIFIED: 9 PLC ± 5 PLC ± 4 PLC ± ANGLES ±	NAME EVERCLEAR Mini-SAS RIGHT ANGLE INTERNAL RECEPTACLE ASSEMBLY WITH DUAL KEYED SHELL PRODUCT SPEC 108-2234 APPLICATION SPEC	
MATERIAL SEE NOTES	FINISH SEE TABLE	WEIGHT - CUSTOMER DRAWING	SIZE CAGE CODE DRAWING NO. RESTRICTED TO A100779C=1888019 SCALE 8:1 SHEET 2 OF 3 REV B2

LOC	DIST	REVISIONS			
GP	00	REV	DATE	BY	APPD
		1	SEE SHEET 1		



RECOMMENDED PCB LAYOUT
 SCALE 10:1

THIS DRAWING IS A CONTROLLED DOCUMENT.		DWN M. E. CONNER 18JUL2005 CHK R. R. HENRY 18JUL2005 APVD R. R. HENRY 18JUL2005	TE Connectivity	
DIMENSIONS: mm 	TOLERANCES UNLESS OTHERWISE SPECIFIED: 9 PLC ± 8 PLC ± 5 PLC ± 4 PLC ± ANGLES ± FINISH ±	NAME EVERCLEAR Mini-SAS RIGHT ANGLE INTERNAL RECEPTACLE ASSEMBLY WITH DUAL KEYED SHELL	PRODUCT SPEC 108-2234	RESTRICTED TO
MATERIAL SEE NOTES	FINISH SEE TABLE	WEIGHT CUSTOMER DRAWING	SIZE CAGE CODE DRAWING NO A100779C=1888019	SCALE 8:1 SHEET 3 OF 3 REV B2