



Chipsmall Limited consists of a professional team with an average of over 10 year of expertise in the distribution of electronic components. Based in Hongkong, we have already established firm and mutual-benefit business relationships with customers from,Europe,America and south Asia,supplying obsolete and hard-to-find components to meet their specific needs.

With the principle of “Quality Parts,Customers Priority,Honest Operation,and Considerate Service”,our business mainly focus on the distribution of electronic components. Line cards we deal with include Microchip,ALPS,ROHM,Xilinx,Pulse,ON,Everlight and Freescale. Main products comprise IC,Modules,Potentiometer,IC Socket,Relay,Connector.Our parts cover such applications as commercial,industrial, and automotives areas.

We are looking forward to setting up business relationship with you and hope to provide you with the best service and solution. Let us make a better world for our industry!



## Contact us

Tel: +86-755-8981 8866 Fax: +86-755-8427 6832

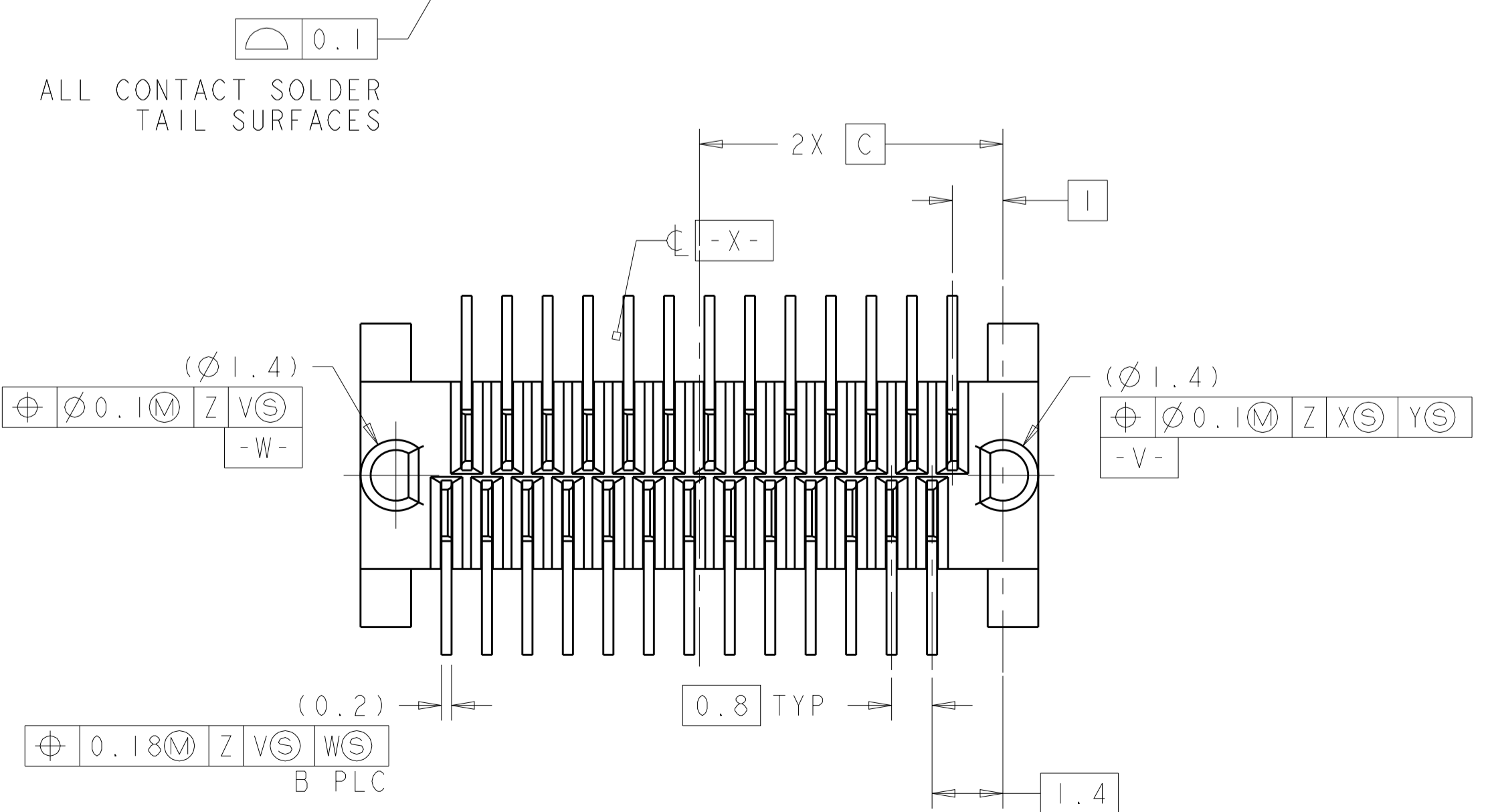
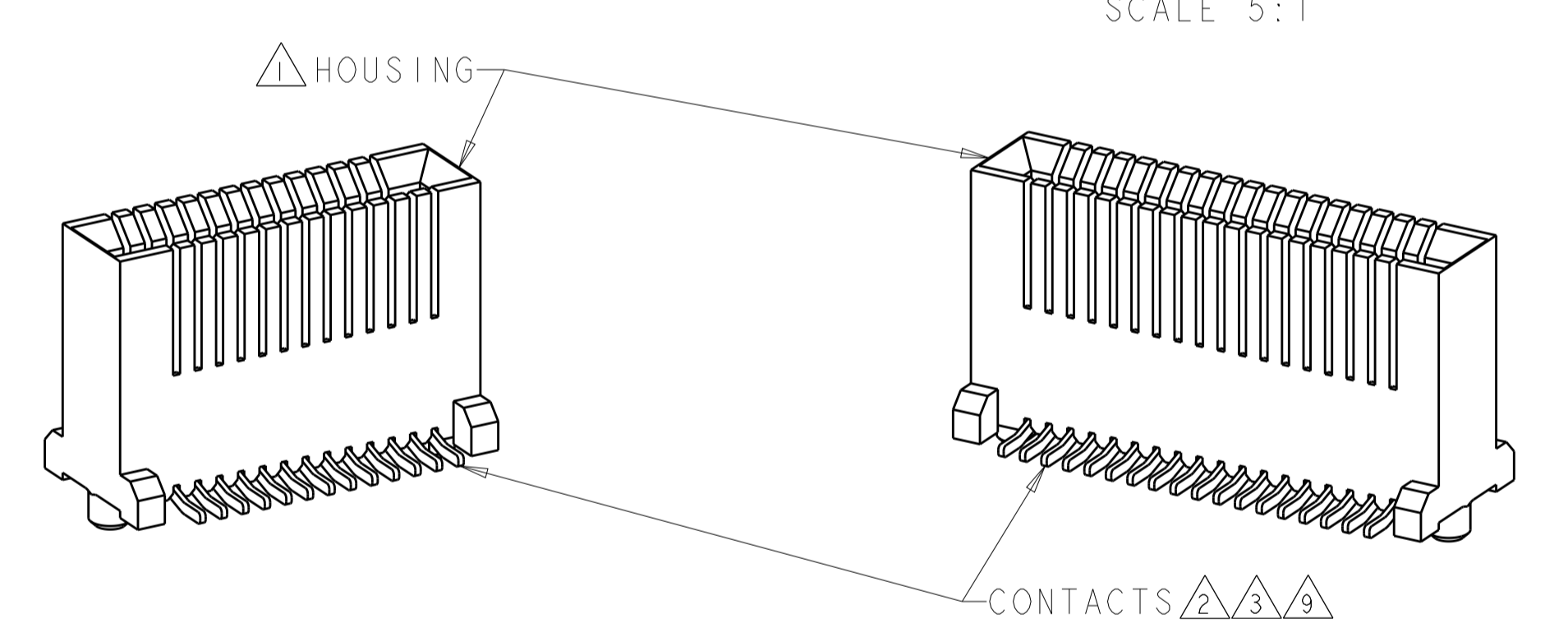
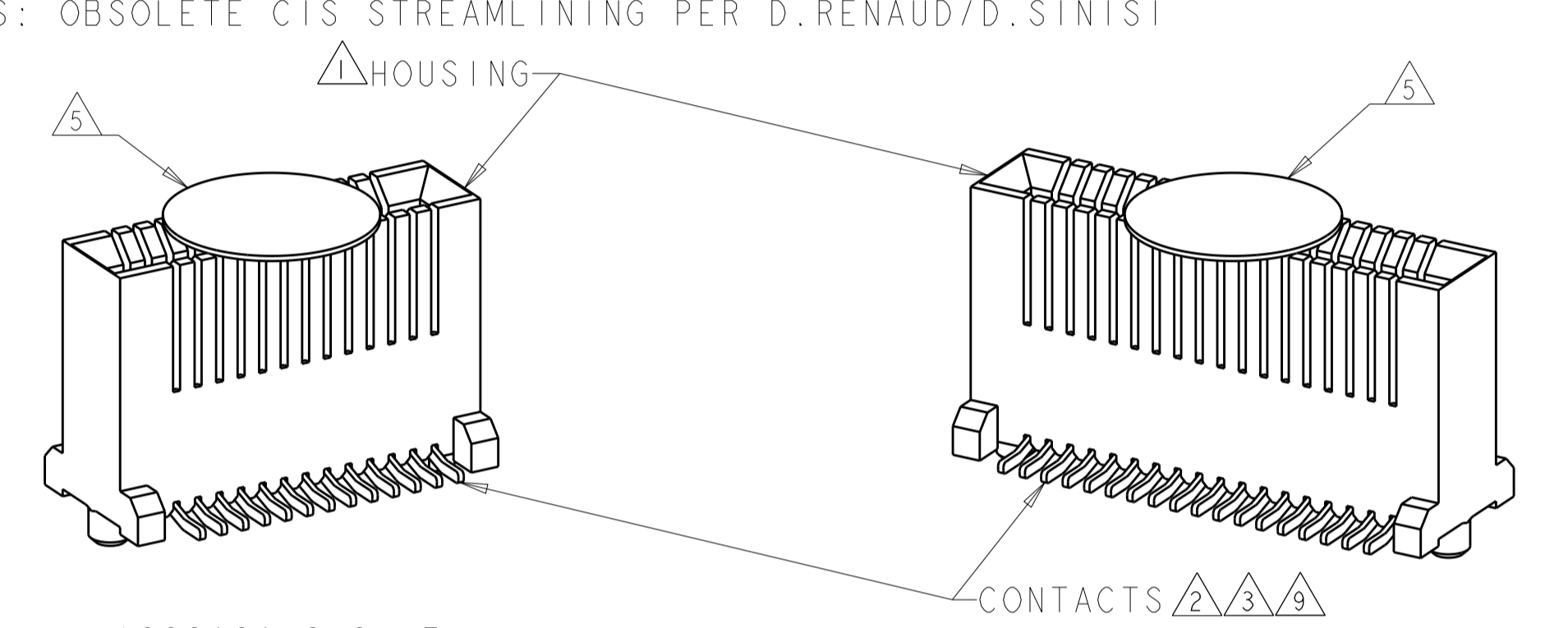
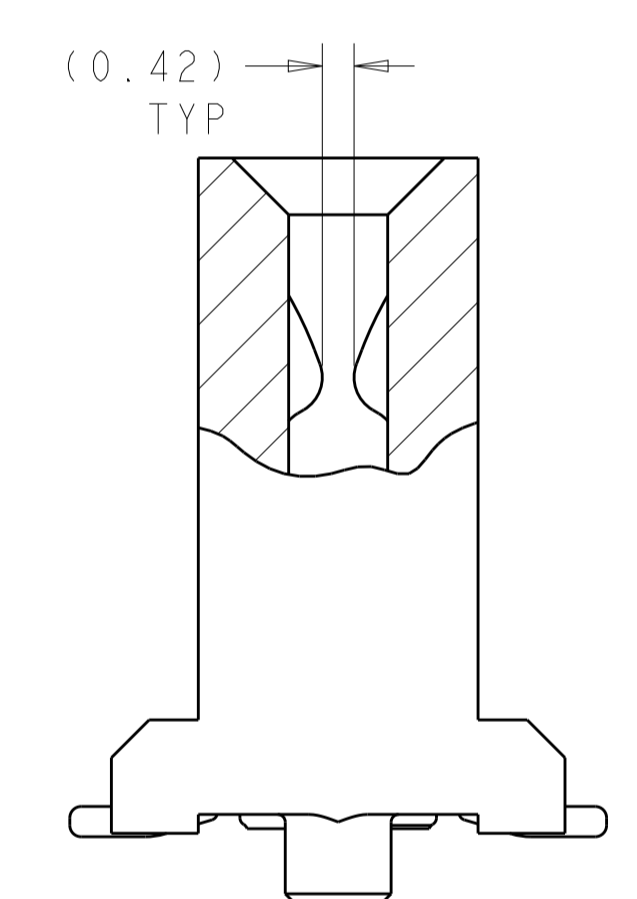
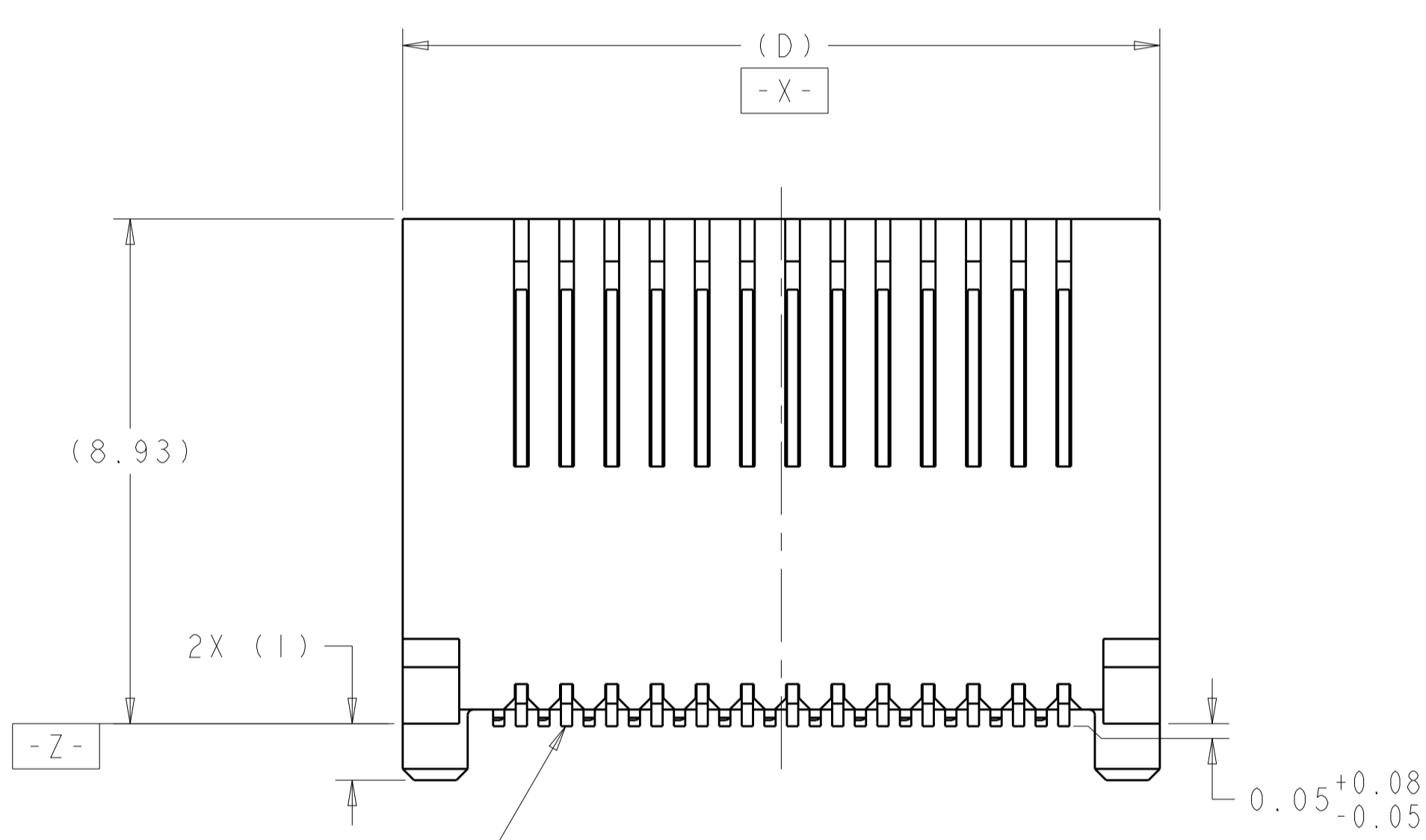
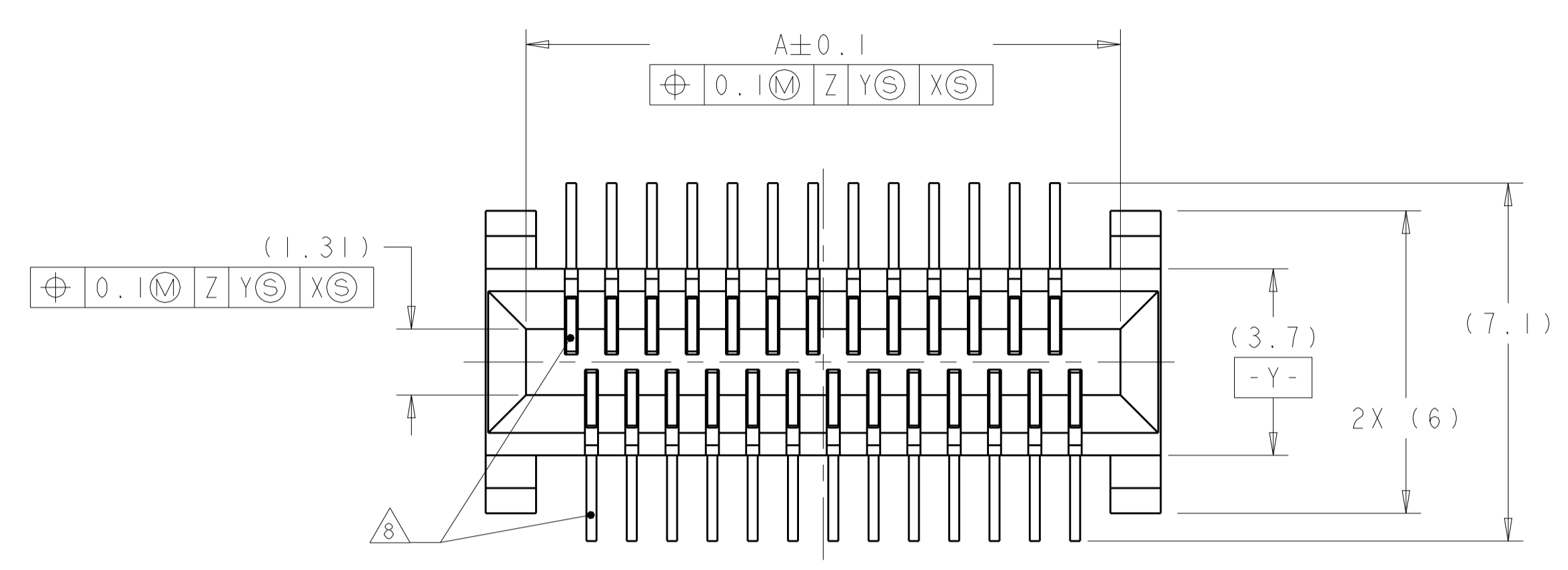
Email & Skype: info@chipsmall.com Web: www.chipsmall.com

Address: A1208, Overseas Decoration Building, #122 Zhenhua RD., Futian, Shenzhen, China



LOC	DIST	REVISIONS					
		P	LTN	DESCRIPTION	DATE	DWN	APVD
GP	00	A1		REVISED PER ECO-09-025699	11-DEC-2009	KK	AEG
		A2		REVISED PER ECO-12-010437	28SEP2012	CJV	DLG
		B		REVISED PER ECO-15-018557	30DEC2015	TX	SH

- 1 MATERIAL: LCP, BLACK.
- 2 MATERIAL: PHOSPHOR BRONZE PER ASTM B 103.
- 3 FINISH: 0.76µm MIN GOLD PLATE PER ASTM B 488, APPLIES TO INTERFACE AREA AND 2.03µm MIN TIN PLATE SOLDER TAILS, ALL OVER 3.81µm MIN NICKEL PLATE PER QQ-N-290.
- 4 DATUM AND BASIC DIMENSION ESTABLISHED BY CUSTOMER.
- 5 WITH KAPTON PLACEMENT DOT INSTALLED.
- 6 PACKAGED IN TUBES.
- 7 PACKAGED IN TAPE AND REEL.
- 8 CONNECTOR PIN IDENTIFIERS: SYMETRICAL VERTICAL CONNECTORS CAN BE APPLIED TO BOARD IN EITHER ORIENTATION.
- 9 FINISH: 0.38µm MIN GOLD PLATE PER ASTM B 488, APPLIES TO INTERFACE AREA AND 2.03µm MIN TIN PLATE SOLDER TAILS, ALL OVER 3.81µm MIN NICKEL PLATE PER QQ-N-290.
- 10 OBSOLETE PARTS: OBSOLETE CIS STREAMLINING PER D.RENAUD/D.SINISI



OBSOLETE		7	-	-	-	-	-	-	1888020-6	5	1888020-8	
OBSOLETE		7	-	-	-	-	-	-	1888020-5	5	1888020-7	
OBSOLETE	9	6	36	16	17.4	8	36	15.8	36	-	1888020-6	
OBSOLETE		6	26	12	13.4	6	26	11.8	26	-	1888020-5	
OBSOLETE		7	-	-	-	-	-	-	-	1888020-2	5	1-1888020-0
OBSOLETE		7	-	-	-	-	-	-	-	1888020-2	5	1888020-4
OBSOLETE	3	7	-	-	-	-	-	-	-	1888020-1	5	1888020-3
OBSOLETE		6	36	16	17.4	8	36	15.8	36	-	1888020-2	
OBSOLETE		6	26	12	13.4	6	26	11.8	26	-	1888020-1	
FINISH	PACKAGING	N	E	D	C	B	A	POSN	MADE FROM		PART NUMBER	

THIS DRAWING IS A CONTROLLED DOCUMENT. DIMENSIONING AND TOLERANCING PER ASME Y14.5M-2009.

OWN: M.E. COWHER 01JUL05  
 CHK: R.R. HENRY 01JUL05  
 APVD: R.R. HENRY 01JUL05

NAME: EVERCLEAR Mini-SAS VERTICAL RECEPTACLE CONNECTOR ASSEMBLY, SURFACE MOUNT

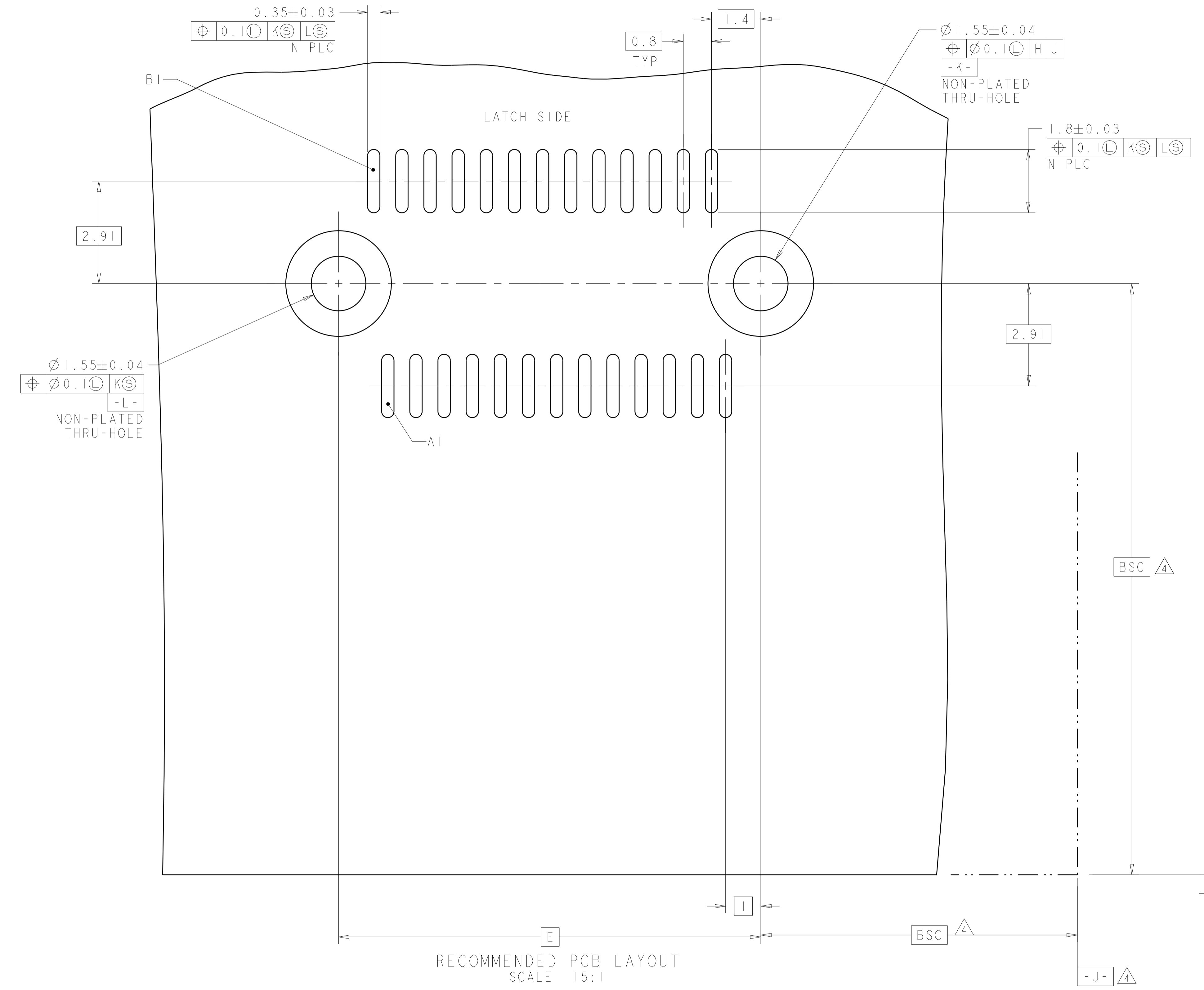
PRODUCT SPEC: 108-2234  
 APPLICATION SPEC: -

SIZE: A1  
 CAGE CODE: 100779  
 DRAWING NO: 1888020

SCALE: 10:1  
 SHEET: 1 OF 2  
 REV: B

STE TE Connectivity

LOC		DIST		REVISIONS			
P	LTN	DESCRIPTION	DATE	DWN	APVD		
-	-	SEE SHEET 1	-	-	-		



THIS DRAWING IS A CONTROLLED DOCUMENT. DIMENSIONING AND TOLERANCING PER ASME Y14.5M-2009		DWN M. E. COWHER 01 JUL 05	TE Connectivity
DIMENSIONS: mm		CHK R. R. HENRY 01 JUL 05	
TOLERANCES UNLESS OTHERWISE SPECIFIED:		APVD R. R. HENRY 01 JUL 05	NAME EVERCLEAR Mini-SAS VERTICAL RECEPTACLE CONNECTOR ASSEMBLY, SURFACE MOUNT
0 PLC ± 1 PLC ± 2 PLC ± 3 PLC ± 4 PLC ± ANGLES ±		PRODUCT SPEC 108-2234	SIZE A100779
MATERIAL SEE NOTES		APPLICATION SPEC	DRAWING NO C=1888020
FINISH SEE TABLE		WEIGHT	RESTRICTED TO
CUSTOMER DRAWING		SCALE 10:1	SHEET 2 OF 2
		REV B	