



Chipsmall Limited consists of a professional team with an average of over 10 year of expertise in the distribution of electronic components. Based in Hongkong, we have already established firm and mutual-benefit business relationships with customers from,Europe,America and south Asia,supplying obsolete and hard-to-find components to meet their specific needs.

With the principle of "Quality Parts,Customers Priority,Honest Operation,and Considerate Service",our business mainly focus on the distribution of electronic components. Line cards we deal with include Microchip,ALPS,ROHM,Xilinx,Pulse,ON,Everlight and Freescale. Main products comprise IC,Modules,Potentiometer,IC Socket,Relay,Connector.Our parts cover such applications as commercial,industrial, and automotives areas.

We are looking forward to setting up business relationship with you and hope to provide you with the best service and solution. Let us make a better world for our industry!



## Contact us

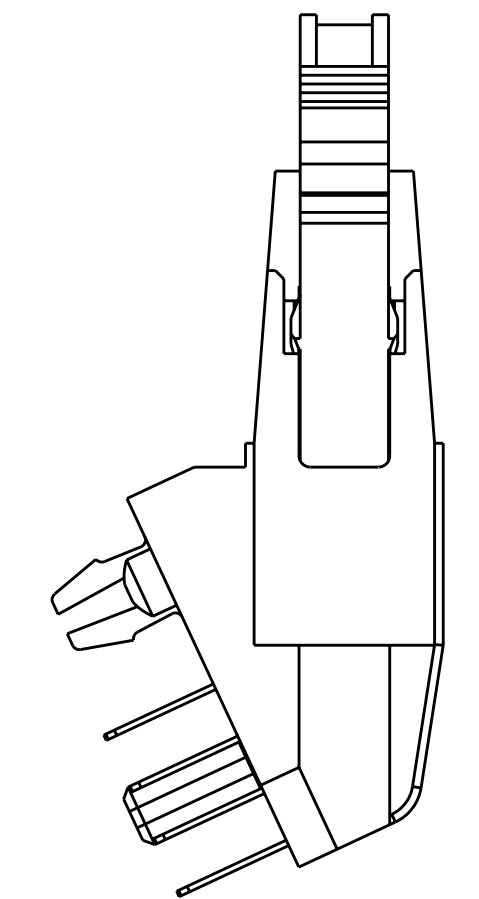
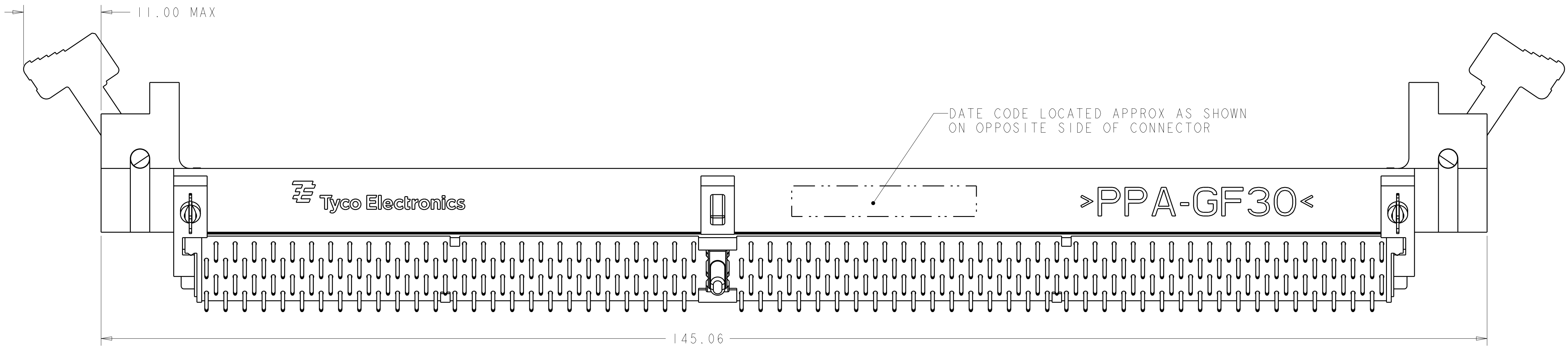
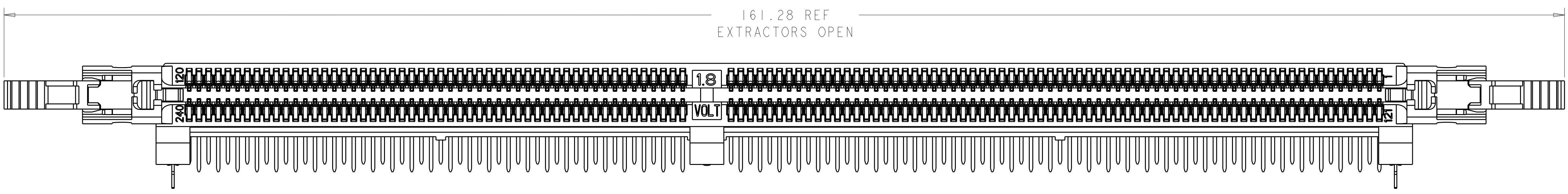
Tel: +86-755-8981 8866 Fax: +86-755-8427 6832

Email & Skype: info@chipsmall.com Web: www.chipsmall.com

Address: A1208, Overseas Decoration Building, #122 Zhenhua RD., Futian, Shenzhen, China

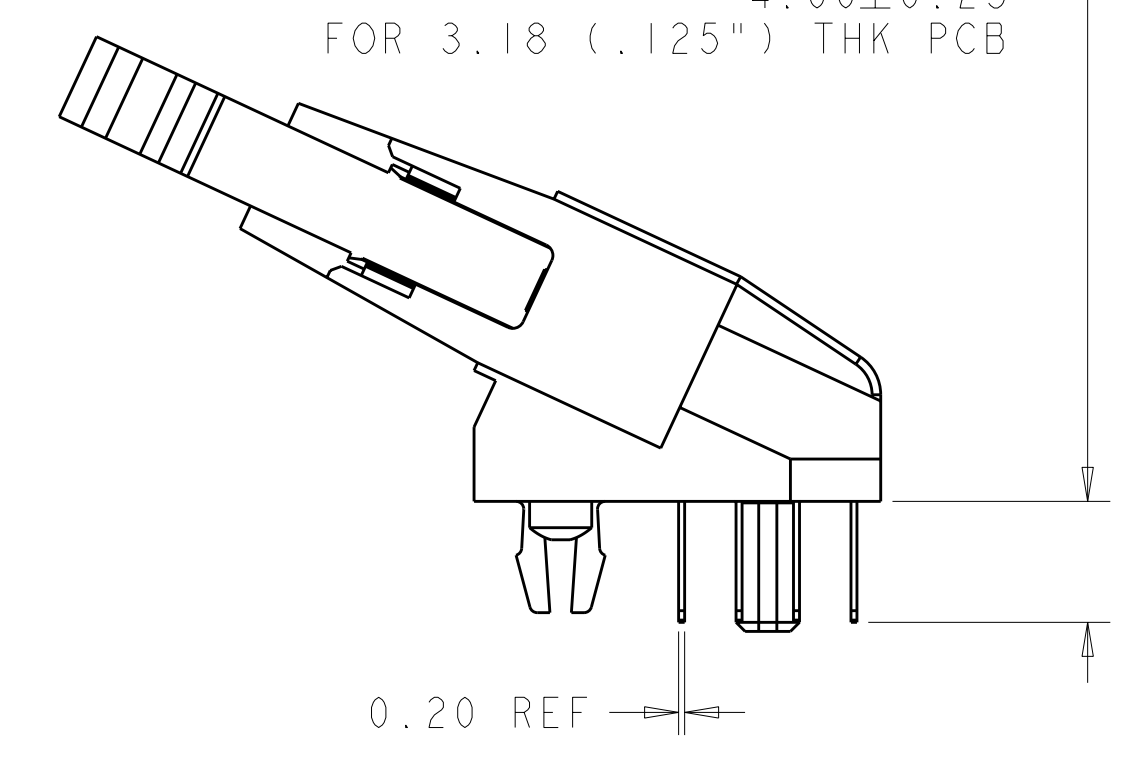
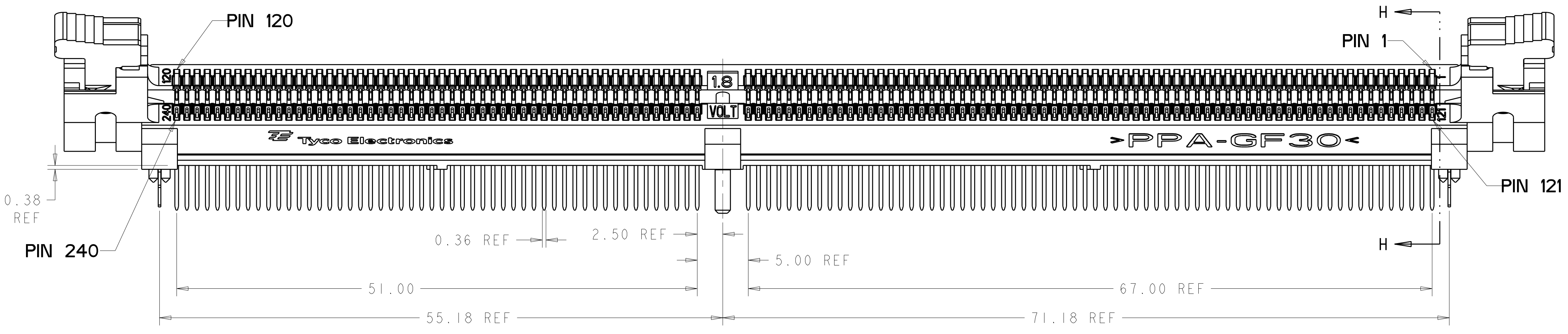


LOC	DIST	REV	DATE	BY	APPD
ES	00	A2	12JUL10	D.S.	S.Y.



TAIL LENGTHS

- 2.67±0.25 FOR 1.60 (.063") THK PCB
- 3.18±0.25 FOR 2.36 (.093") THK PCB
- 4.00±0.25 FOR 3.18 (.125") THK PCB



- 1 MATERIALS:  
 HOUSING: HIGH TEMPERATURE THERMOPLASTIC, BLACK, UL94 V-0  
 EXTRACTOR: HIGH TEMPERATURE THERMOPLASTIC, NATURAL (OFF WHITE)  
 CONTACTS: COPPER ALLOY  
 RETENTION BARB: COPPER ALLOY

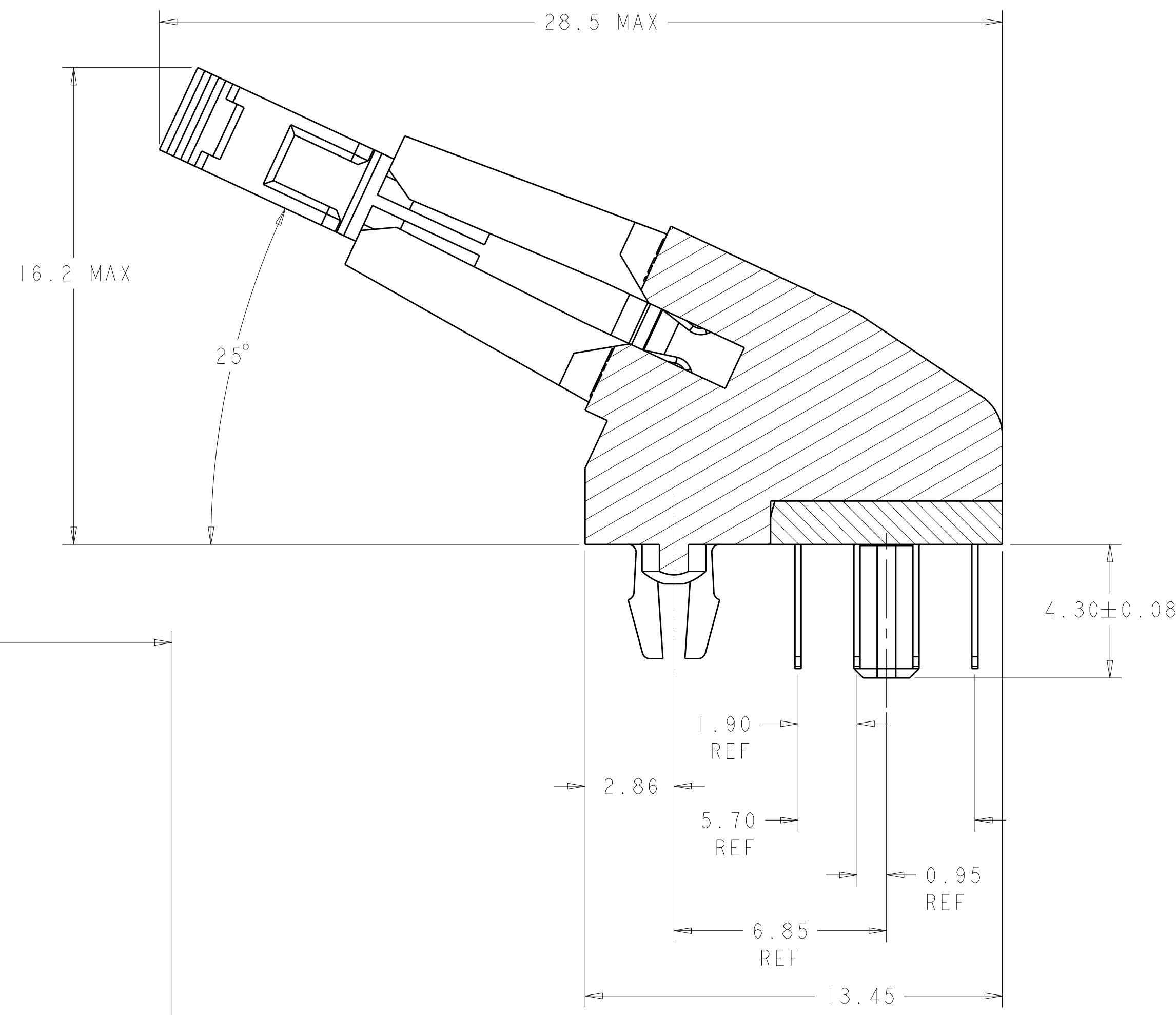
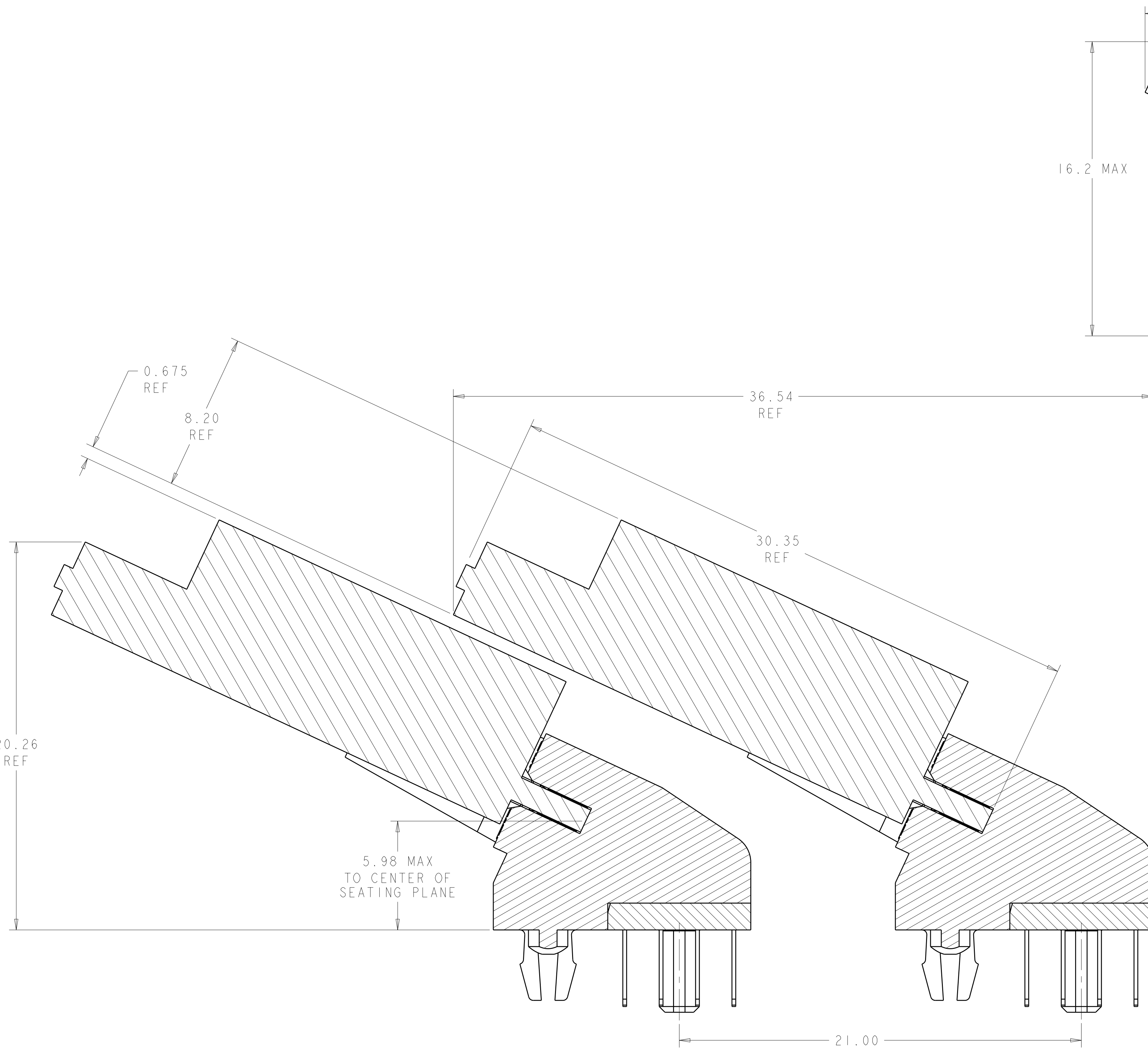
- 6 DATUM [-F-] IS CONNECTOR SIDE SURFACE OF PCB.
- 7 PORE BLOCKER APPLIED TO CONTACT INTERFACE.

- 2 INTERFACE FINISH:  
 0.00076 MIN THK GOLD OVER 0.00127 MIN THK NICKEL.  
 0.00038 MIN THK GOLD OVER 0.00127 MIN THK NICKEL.
- 3 SOLDER TAIL FINISH:  
 0.00300 MIN THK MATTE LEAD FREE PLATING OVER 0.00127 MIN THK NICKEL.
- 4 RIGHT HOLE IS GLOBAL D-E ORIGIN FOR ALL POSITIONAL TOLERANCES.  
 LEFT AND RIGHT NON-PLATED THRU HOLES ESTABLISH [-E-].
- 5 FINISHED HOLE SIZE. Ø0.15 MAXIMUM ANNULAR RING.

CONTACT GOLD INTERFACE	TAIL LENGTH	PART NUMBER
0.00038 MIN	4.00	1888029-6
0.00038 MIN	3.18	1888029-5
0.00038 MIN	2.67	1888029-4
0.00076 MIN	4.00	1888029-3
0.00076 MIN	3.18	1888029-2
0.00076 MIN	2.67	1888029-1

DIMENSIONS: mm 		TOLERANCES UNLESS OTHERWISE SPECIFIED: 9 PLC ±.25 2 PLC ±.15 3 PLC ±.10 4 PLC ±.08 ANGLES ±.1		DWN D. RINGLER 12JUL2005 CHK M. YEOMANS 18JUL2005 APVD PRODUCT SPEC 108-2168 APPLICATION SPEC 114-13130 WEIGHT CUSTOMER DRAWING		Tyco Electronics Corporation SH/CN GuiPing RD 668# SOCKET ASSEMBLY 25 DEGREE FB DIMM 240 POSITION SIZE CAGE CODE DRAWING NO. RESTRICTED TO A11 00779 C=1888029 SCALE 1:1 SHEET 1 OF 3 REV A2	
-----------------------	--	--	--	---	--	---	--

LOC		DIST		REVISIONS			
ES	00	REV	DATE	DESCRIPTION	DATE	DWN	APVD
-	-	-	-	SEE SHEET 1	-	-	-



SECTION **HH**  
 SCALE 8:1

MINIMUM RECOMMENDED ROW TO ROW SPACING

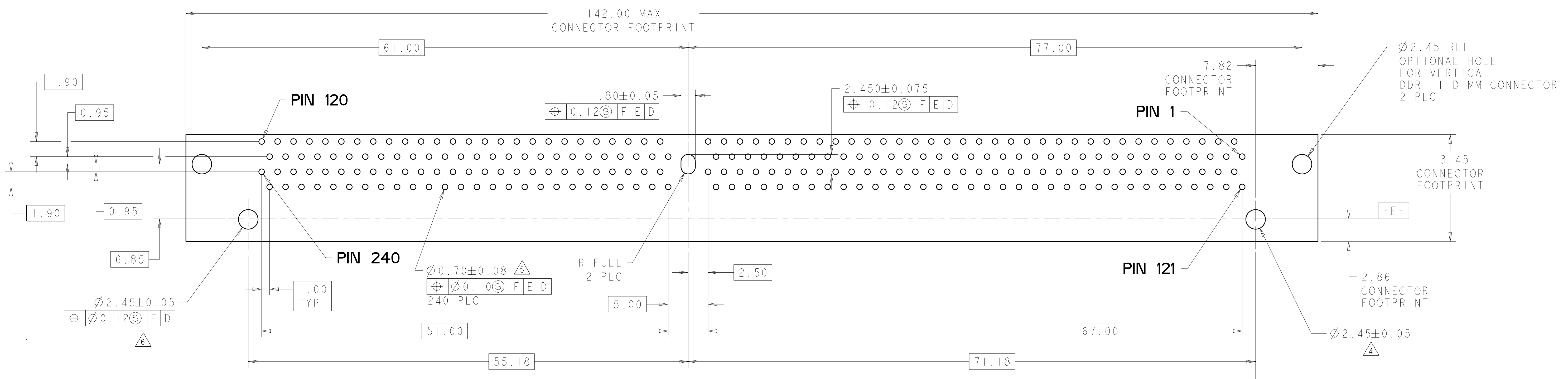
SCALE 8:1

<small>THIS DRAWING IS UNPUBLISHED. RELEASED FOR PUBLICATION. ALL RIGHTS RESERVED. THIS IS SUBJECT TO CHANGE WITHOUT NOTICE. FOR THE LATEST REVISIONS, CONTACT THE SUPPLIER.</small>		DWN <b>D. RINGLER</b> 12 JUL 2005 CHK <b>M. YEOMANS</b> 18 JUL 2005 APVD -	Tyco Electronics Tyco Electronics Corporation SH/CN GuiPing RD 668#
DIMENSIONS: mm 	TOLERANCES UNLESS OTHERWISE SPECIFIED: 9 PLC ± 1 PLC ±0.25 2 PLC ±0.15 3 PLC ±0.13 4 PLC ± ANGLES ±° FINISH ±#1	PRODUCT SPEC 108-2168 APPLICATION SPEC 114-13130 WEIGHT - CUSTOMER DRAWING	NAME SOCKET ASSEMBLY 25 DEGREE FB DIMM 240 POSITION SIZE CAGE CODE DRAWING NO RESTRICTED TO A11 00779 C=1888029 - SCALE 1:1 SHEET 2 OF 3 REV A2

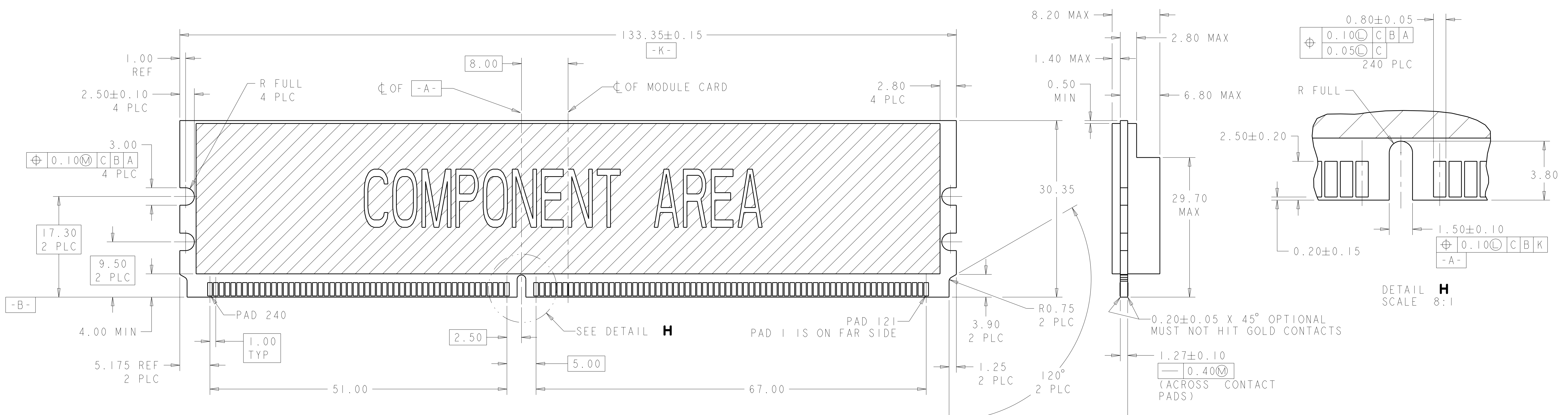
LOC	DIST	REV	DATE	BY	APPD
ES	00				

REVISIONS		DATE	BY	APPD
-	SEE SHEET 1	-	-	-



RECOMMENDED PCB HOLE LAYOUT  
 VIEWED FROM CONNECTOR SIDE  
 SCALE 4:1



RECOMMENDED MODULE LAYOUT  
 SCALE 3:1

<small>THIS DRAWING IS UNPUBLISHED. RELEASED FOR PUBLICATION BY TYCO ELECTRONICS CORPORATION, ALL RIGHTS RESERVED.</small>		DWN: D. RINGLER 12 JUL 2005 CHK: M. YEOMANS 18 JUL 2005	Tyco Electronics Tyco Electronics Corporation SH/CN GuiPing RD 668#
DIMENSIONS: mm 	TOLERANCES UNLESS OTHERWISE SPECIFIED: 9 PLC ±0.25 1 PLC ±0.15 5 PLC ±0.13 4 PLC ±0.10 ANGLES ±1° FINISH: -	NAME: SOCKET ASSEMBLY 25 DEGREE FB DIMM 240 POSITION PRODUCT SPEC: 108-2168 APPLICATION SPEC: 114-13130 WEIGHT: - CUSTOMER DRAWING: -	SIZE: A1 CAGE CODE: 00779 DRAWING NO: C=1888029 RESTRICTED TO: - SCALE: 1:1 SHEET: 3 OF 3 REV: A2